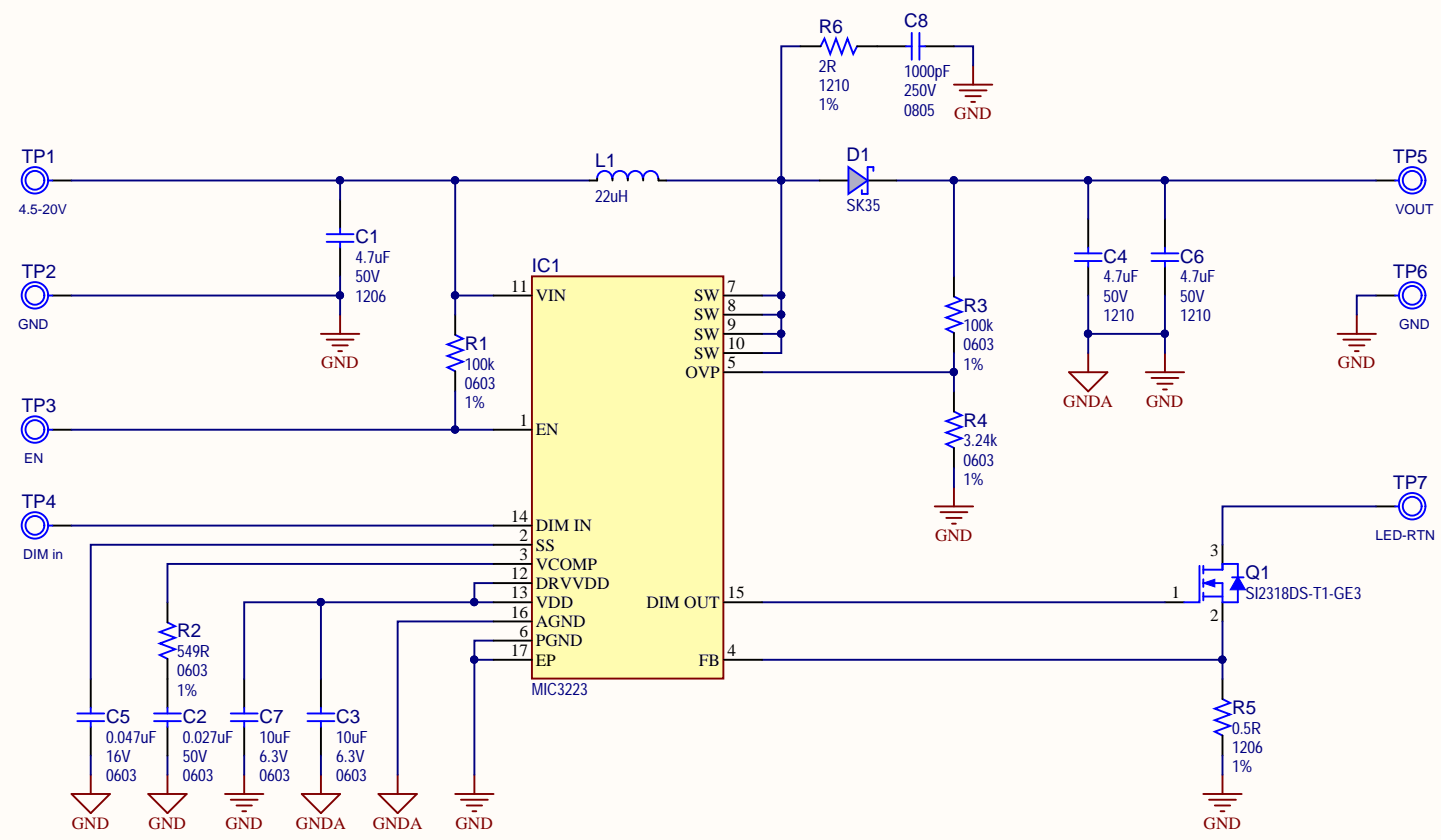


REV	ECO#	DESCRIPTION	DATE



LABEL1
02- -R1
 LABEL Need Help Small

PAD1 RUBBER PAD D8H2.8
 PAD2 RUBBER PAD D8H2.8
 PAD3 RUBBER PAD D8H2.8
 PAD4 RUBBER PAD D8H2.8

Drawn By: Razvan Costache	
Engineer: Razvan Costache	
PartNumber: ADM00939	Project Title MIC3223 Evaluation Board
Sheet Title MIC3223 Evaluation Board	
Size B	Sch #03-10831 Date: 2/23/2018 11:31:37 AM
	Revision:1 Sheet 1 of 1
File: MIC3223_Evaluation_Board.SchDoc	
 Altium.com	