



Table of Contents

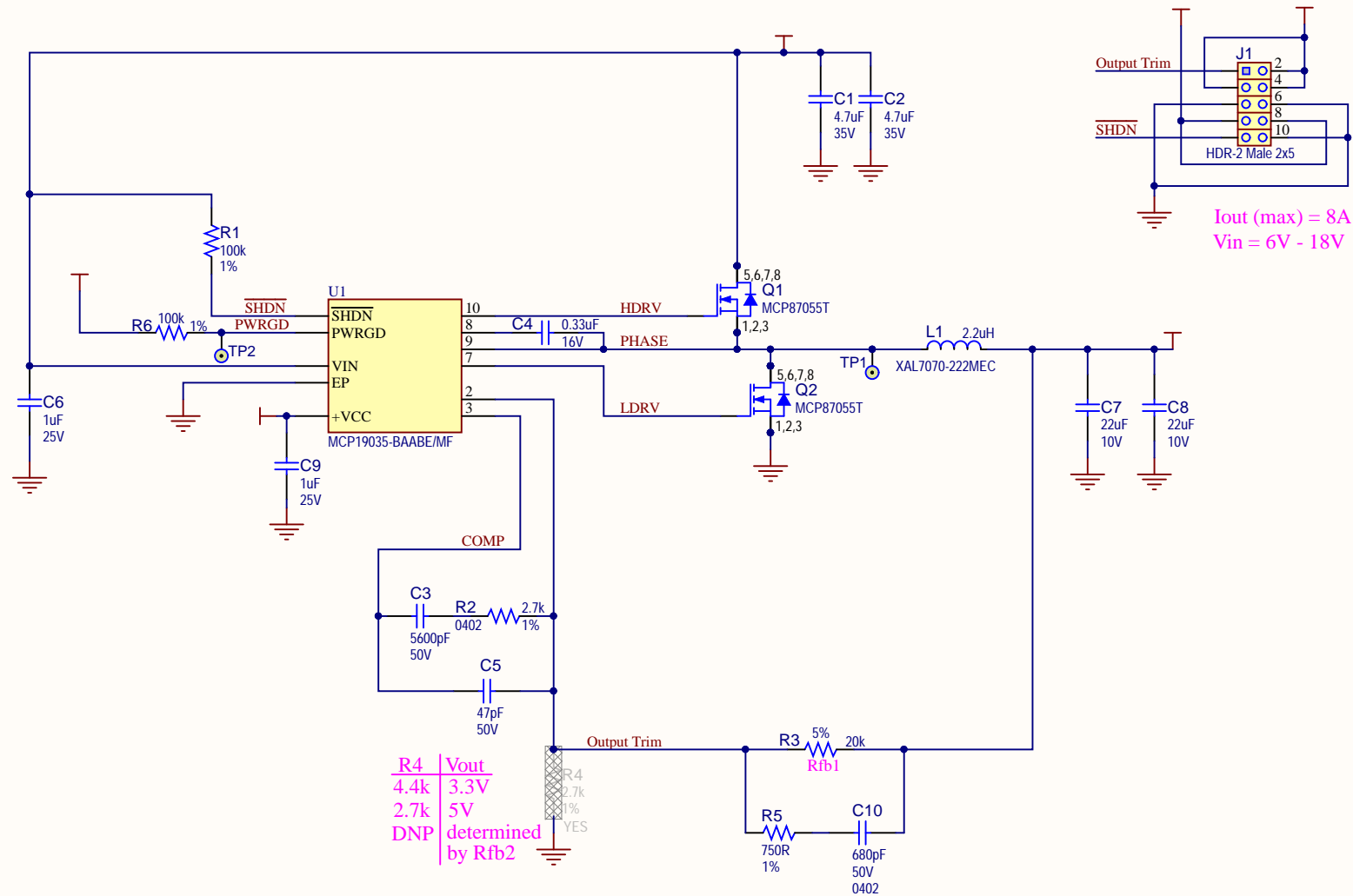
Sheet	Description
1	TOC
2	MCP19035

Revision History

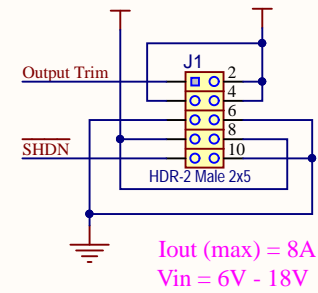
Revision	Date	Revision Summary	Author
00B	20180125	Initial release	Jennifer Hancock
B	20180129	Final release (includes feedback requests from schematic review)	Jennifer Hancock
C	20180625	Changed 1x5 header to 2x5, changed Vin caps to 4.7F and Vout caps to 22uF (1206) and VCC cap to 1uF.	Jennifer Hancock

Drawn By: Jennifer Hancock	
Engineer: Jennifer Hancock	
PartNumber: ADM00987	Project Title MCP19035 Power Module 8A Evaluation Board
Sheet Title MCP19035 PM8 module_TOC	 Designed with Altium.com
Size B	Sch #:03-10880 Date: 8/23/2018 3:15:23 PM
	Revision: 1 Sheet 1 of 2
File: MCP19035 PM8 module_TOC.SchDoc	

REV	ECO#	DESCRIPTION	DATE



R4	Vout
4.4k	3.3V
2.7k	5V
DNP	determined by Rfb2



Output Trim

External Trim Resistor Rfb2

Vout

$$Rfb2 = \frac{Vref \times Rfb1}{Vout - Vref} = \frac{12k}{Vout - 0.6V}$$

Iout (max) = 8A
Vin = 6V - 18V

Drawn By: Jennifer Hancock	
Engineer: Jennifer Hancock	
PartNumber: ADM00987	Project Title MCP19035 Power Module 8A Evaluation Board
Sheet Title MCP19035 PM8 module_REG	<i>Designed with</i>
Size B	Sch #:03-10880 Date: 8/23/2018 3:15:24 PM
	Revision: 1 Sheet 2 of 2
File: MCP19035 PM8 module_REG.SchDoc	