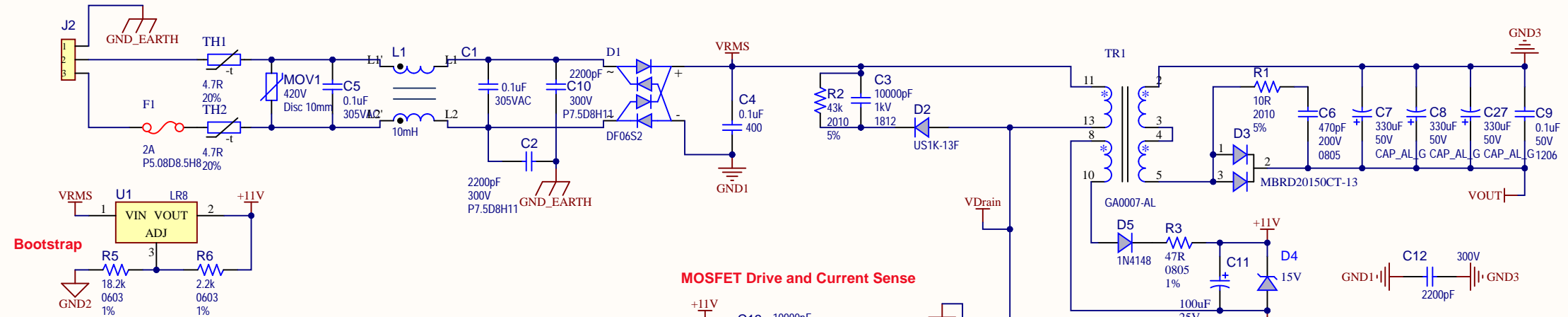
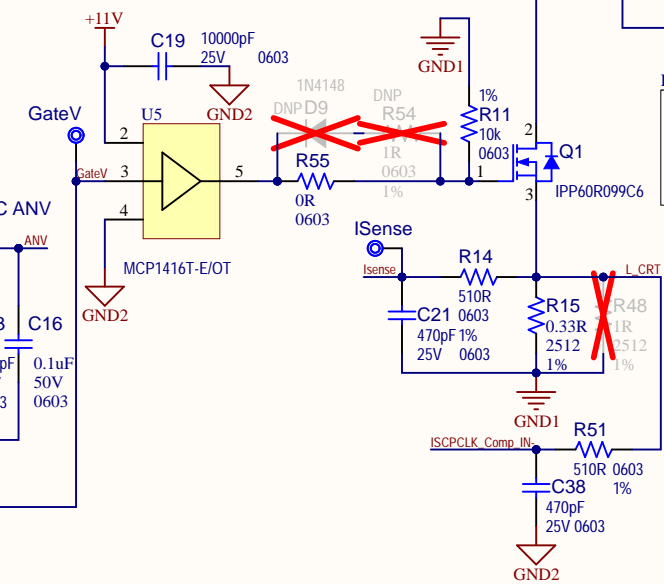


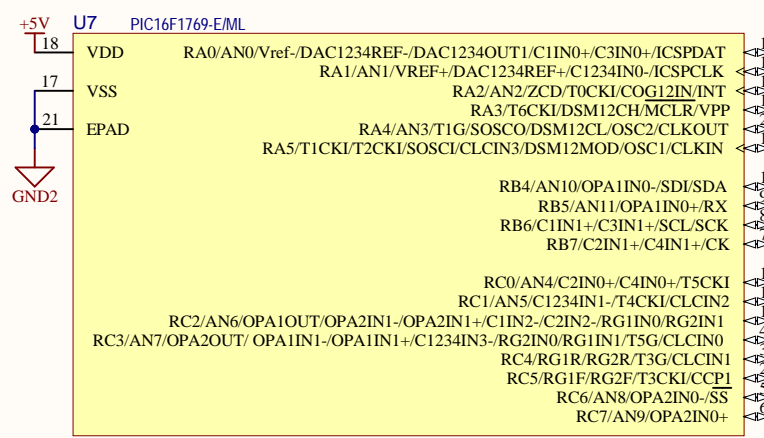
POWER STAGE



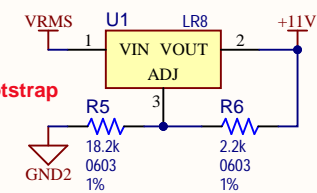
MOSFET Drive and Current Sense



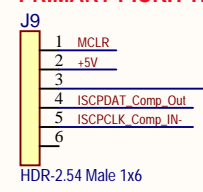
Primary Controller Unit (Flyback)



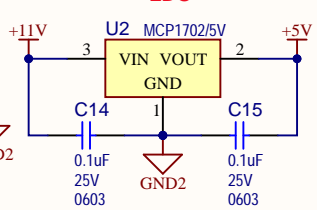
Bootstrap



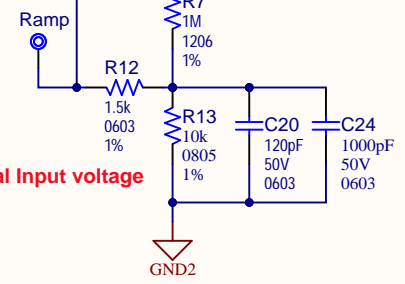
PRIMARY PICKIT HEADER



LDO



Proportional Input voltage



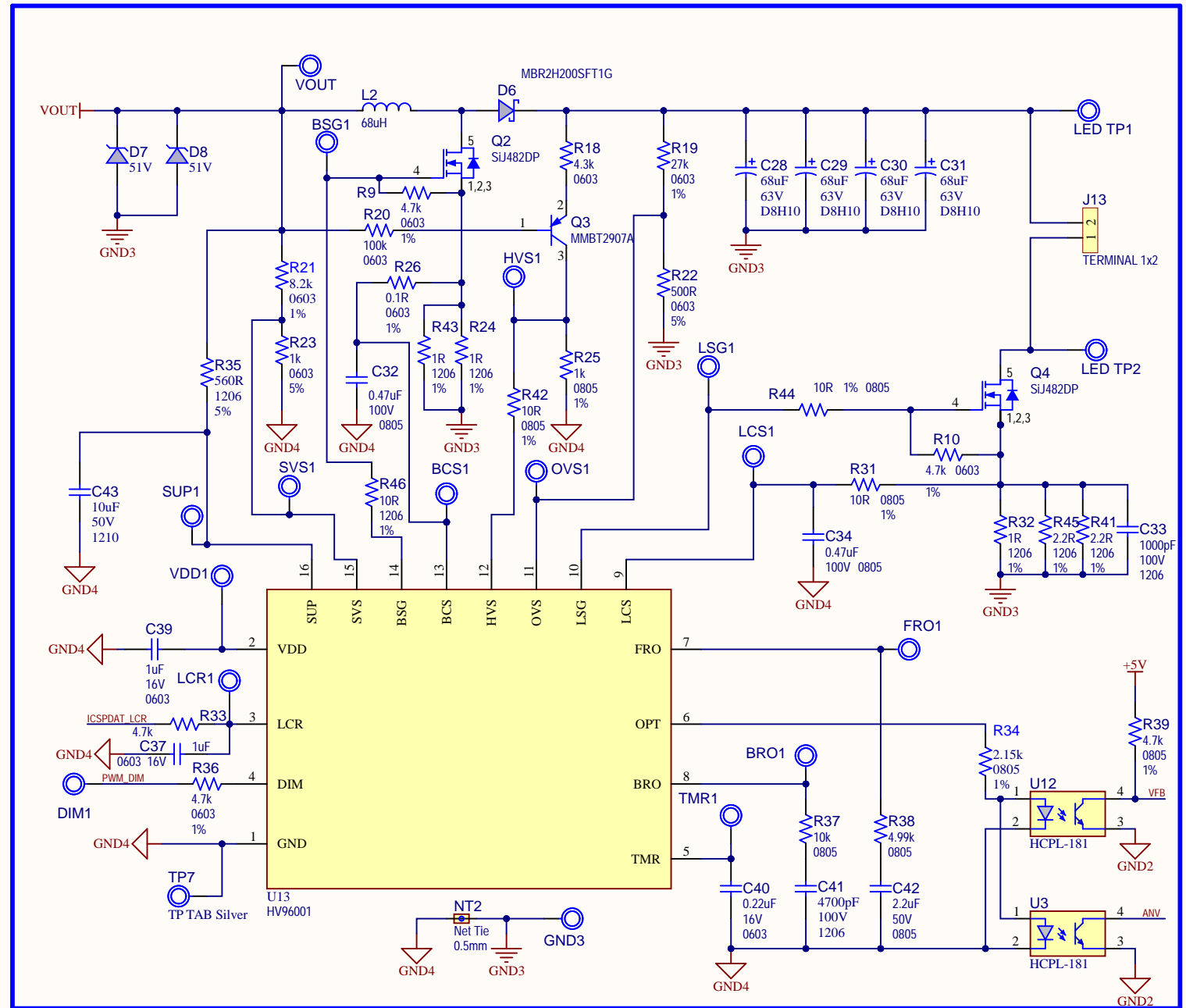
GND1 = Primary side Power ground
 GND2 = Primary side Signal ground
 GND3 = Secondary side Power ground
 GND4 = Secondary side Signal ground

Drawn By: Stroe Octavian		
Engineer: Sergiu Gheorghe		
PartNumber: ADM01030	Project Title HV96001 Deep Dimming LED Driver EVB	
Sheet Title **		
Size B	Sch #03-10923 Revision:3.2	Date: 1/7/2020 12:11:47 PM Sheet * of *
File: Flyback PIC_F.SchDoc		

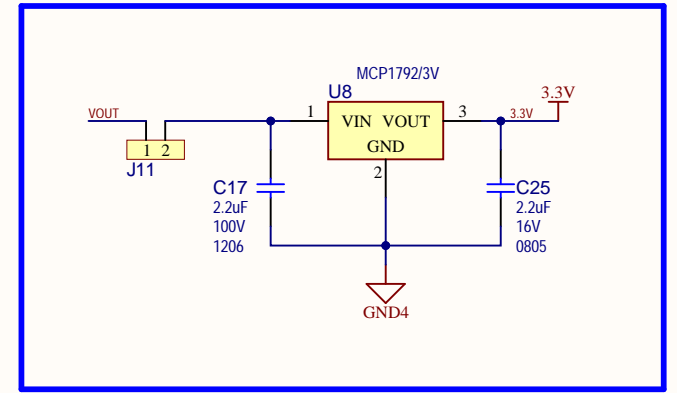


REV	ECO#	DESCRIPTION	DATE

HV96001 CIRCUIT



3.3V Supply



JP1
Shunt 2.54mm 1x2 Handle

GND2 = Primary side Signal ground
 GND3 = Secondary side Power ground
 GND4 = Secondary side Signal ground

Drawn By: Stroe Octavian		
Engineer: Sergiu Gheorghe		
PartNumber: ADM01030	Project Title HV96001 Deep Dimming LED Driver EVB	
Sheet Title		
**		
Size B	Sch #03-10923	Date: 1/7/2020 12:11:47 PM
Revision:3.2		Sheet * of *
File: Mechanical_1_F.SchDoc		

Altium
Altium.com