



ADP-2.4F-2.92M

2.4 mm Jack to 2.92 mm Plug Adapter

The ADP-2.4F-2.92M is a 2.4 mm jack to 2.92 mm plug adapter. Operating from 0 Hz to 40 GHz, the ADP-2.4F-2.92M combines superior performance, compact size, and a convenient threaded mating interface to provide a reliable, easy-to-use adapter. Linx 2.4 mm and 2.92 mm adapters are ideal for precision applications. Additionally, all Linx adapters meet RoHS lead free standards and are tested to meet requirements for corrosion resistance, vibration, mechanical and thermal shock.

FEATURES

- 0 Hz to 40 GHz operation
- Passivated stainless steel body
 - Superior corrosion resistance
- 2.4 mm jack (female socket) connection
 - Gold plated beryllium copper center contact
- 2.92 mm plug (male pin) connection
 - Gold plated beryllium copper center contact

APPLICATIONS

- Radar, Satellite Communications, Experimental
- Industrial, Commercial, Enterprise
- Test and measurement

TABLE 1. ELECTRICAL SPECIFICATIONS

Parameter	Value
Impedance	50 Ω
Frequency Range	0 to 40 GHz
Contact Resistance	Center: ≤ 6.0 m Ω Outer: ≤ 2.0 m Ω
Insertion Loss (dB max.)	1.0
VSWR (max.)	1.2

ORDERING INFORMATION

Part Number	Description
ADP-2.4F-2.92M	2.4 mm jack (female socket) to 2.92 mm plug (male pin) adapter

Available from Linx Technologies and select distributors and representatives.

PRODUCT DIMENSIONS

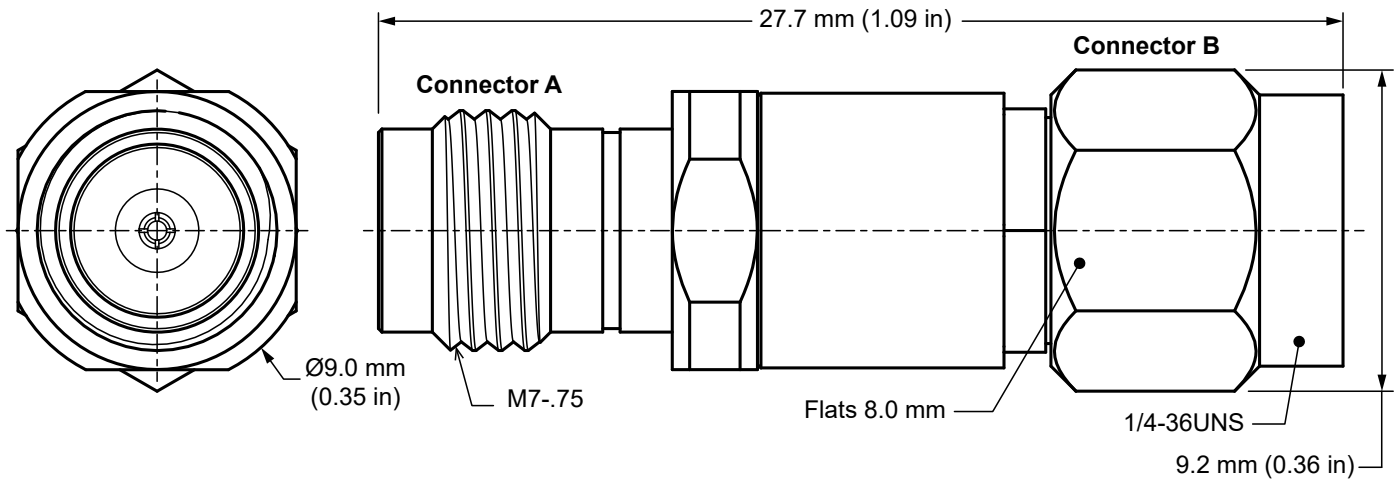


Figure 1: Product Dimensions for the ADP-2.4F-2.92M Adapter

TABLE 2. ADAPTER COMPONENTS

ADP-2.4F-2.92M	Connector A 2.4 mm jack (female socket)		Connector B 2.92 mm plug (male pin)	
Connector Part	Material	Finish	Material	Finish
Body	Stainless Steel	Passivated*	Stainless Steel	Passivated*
Center Contact	Beryllium Copper	Gold	Beryllium Copper	Gold
Insulator	Air	-	Air	-

*Use of stainless steel tools may damage passivated finish.

ADAPTER PERFORMANCE

Table 3 shows insertion loss and VSWR values for the ADP-2.4F-2.92M adapter at commonly used frequencies. Insertion loss is the loss of signal power (gain) resulting from the insertion of a device in a transmission line. VSWR describes how efficiently power is transmitted through the adapter. A lower VSWR value indicates better performance at a given frequency.

TABLE 3. INSERTION LOSS AND VSWR FOR THE ADP-2.4F-2.92M ADAPTER

Band	Ku	K	Ka
Frequency Range	12 GHz to 18 GHz	18 GHz to 27 GHz	27 GHz to 40 GHz
Insertion Loss (dB max.)	0.8	0.9	0.9
VSWR (max.)	1.1	1.2	1.2