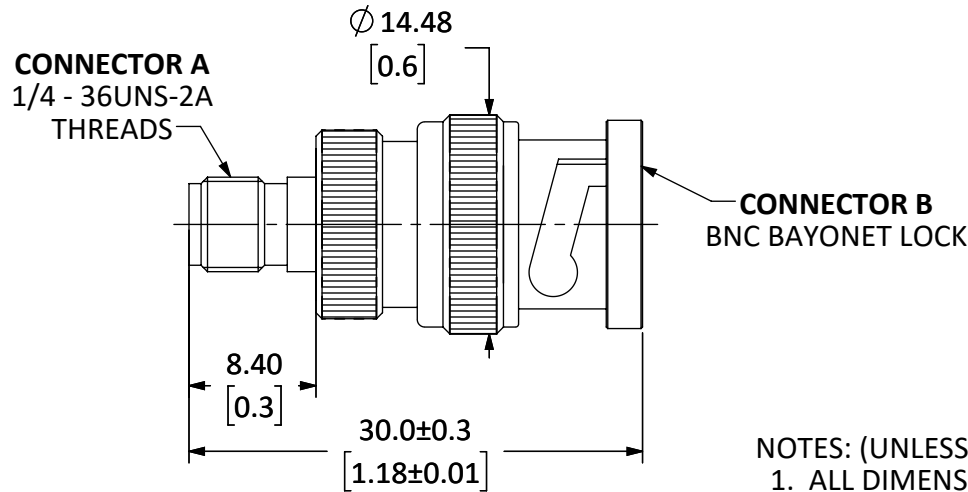


Connector A: SMA Jack (Female Socket)				
Connector B: BNC Plug (Male Pin)				
Body Style	Straight			
	Connector A		Connector B	
Connector Part	Material	Finish	Material	Finish
Body	Brass	Nickel	Brass	Nickel
Shell	Brass	Nickel	-	-
Center Contact	Be Cu	Gold	Be Cu	Gold
Insulator	PTFE	-	PTFE	-
Gasket	-	-	Silicone Rubber	-
Washer	-	-	Brass	Nickel
Spring	-	-	SK-5	Nickel

REVISIONS			
REV	DESCRIPTION	DATE	APPV
A	INITIAL RELEASE OF LINX INTERNAL DRAWING	9-OCT-17	CLL
B	ADDED ADDITIONAL SPECIFICATIONS TABLES	17/JAN/19	SH



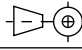
NOTES: (UNLESS OTHERWISE SPECIFIED)

1. ALL DIMENSIONS ARE IN mm [INCHES].
2. DIMENSIONS APPLY AFTER FINISHING.
3. MANUFACTURE TO BE COMPLIANT WITH EU RoHS DIRECTIVE, USE MATERIALS THAT DO NOT CONTAIN REACH SUBSTANCES OF VERY HIGH CONCERN >1000ppm, AND USE DRC CONFLICT-FREE SOURCED MATERIALS.
4. SAFETY BREAK ALL SHARP CORNERS AND EDGES 0.5 MAXIMUM.
5. SEE TABLE I FOR ELECTRICAL SPECIFICATIONS.
6. SEE TABLE II FOR ENVIRONMENTAL SPECIFICATIONS.
7. SEE TABLE III FOR MECHANICAL SPECIFICATIONS.



©2023 TE Connectivity. All Rights Reserved.

WARNING: THIS DRAWING CONTAINS PROPRIETARY INFORMATION THAT IS THE SOLE PROPERTY OF LINX TECHNOLOGIES, AND SHALL BE TREATED AS SUCH. NO DISCLOSURE OR REPRODUCTION OF THIS DOCUMENT IS PERMITTED, IN WHOLE OR IN PART, WITHOUT THE EXPRESS WRITTEN PERMISSION OF LINX TECHNOLOGIES OR ITS DESIGNATED AGENTS.

MATERIAL:	TOLERANCES: 0.50 [0.020]-5.00 [0.200]= ±0.20 [0.008] 5.00 [0.200]-30.00 [1.200]= ±0.40 [0.016] 30.0 [1.200]-120.0 [4.75]= ±0.60 [0.24] 120.0 [4.75]-315.0 [12.40]= ±1.0 [0.040]	PROJECTION: 
FINISH:	DRAWN: M. SCHULTE ENGR: D. VARATHARAJAN	DT: 30/OCT/18 DT: 17/JAN/19
	ANGLES: ±1°	



TITLE:
**ADAPTER, SMA JACK (FEMALE SOCKET)
TO BNC PLUG (MALE PIN)**

SIZE	DWG. NO.	REV
A	ADP-SMAF-BNCM	B
SCALE: 2:1	DO NOT SCALE DRAWING	SHEET 1 OF 2

5 TABLE I

Electrical Data	Detail	
Impedance	50 Ω	
Frequency Range	0 to 4 GHz	
VSWR	$\leq 1.3 : 1$	
Insulation Resistance	5 000 M Ω min.	
Voltage Rating	500 V RMS	
	Connector A	Connector B
Contact Resistance, Center	2.0 m Ω max.	2.0 m Ω max.
Contact Resistance, Outer	2.0 m Ω max.	2.0 m Ω max.
Insertion Loss	0.06 dB max. x \sqrt{f} GHz	0.2 dB max. @ 3 GHz
RF Leakage	-60 dB min. @ 3 GHz	-55 dB min. @ 3 GHz

6 TABLE II

Environmental Data	Detail
Corrosion (Salt spray)	ASTM B-117
Thermal Shock	MIL-STD-202 Method 107 test condition B
Vibration	MIL-STD-202 Method 204 test condition D
Mechanical Shock	MIL-STD-202 Method 213 test condition I
Temperature Range	-65 °C to +165 °C
Environmental Compliance	RoHS

7 TABLE III

Mechanical Data	Detail	
Mounting Type	Free Hanging (In-Line)	
Interface In Accordance With	MIL-STD 348A	
Weight	14.2 g (0.5 oz)	
	Connector A	Connector B
Fastening Type	1/4"-36 Threaded Coupling	Bayonet Lock
Recommended Torque	0.9 N·m (8 in·lbs)	-
Coupling Nut Retention	60 lbs. min.	-
Connector Durability	500 cycles min.	500 cycles min.

SIZE	DWG. NO.	REV
A	ADP-SMAF-BNCM	B
SCALE: 4:1	DO NOT SCALE DRAWING	SHEET 2 OF 2