



# 50 Ω OPTIMIZED ADAPTORS

## SPECIFICATIONS

For complete specifications and recommended PCB layouts see [www.samtec.com?ADP5](http://www.samtec.com?ADP5)

**Shell Material:**

Brass

**Contact Material:**

BeCu, Copper Alloy, Phosphor Bronze, or Brass

**Impedance:**

50 Ω

**Frequency Range:**

0-6 GHz

**Insulator Resistance:**

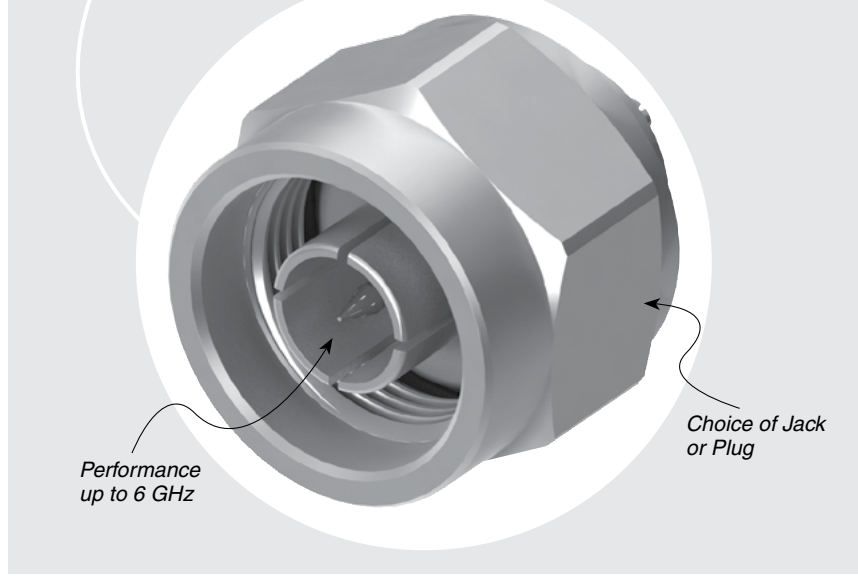
5,000 mΩ min.

**Operating Temp Range:**

-50 °C to +165 °C

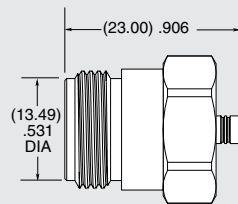
**Mates with:**

RF174, RF316, RF178, RF058, GRF1H-C

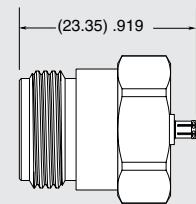


## N TYPE TO MMCXV

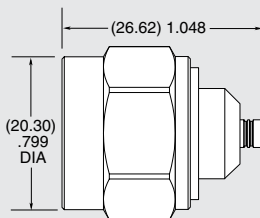
ADP5 ADAPTOR	PART NUMBER
N Type Jack to MMCXV Jack	ADP5-06SJ2-V3SJ1
N Type Jack to MMCXV Plug	ADP5-06SJ2-V3SP1
N Type Plug to MMCXV Jack	ADP5-06SP2-V3SJ1
N Type Plug to MMCXV Plug	ADP5-06SP2-V3SP1
Plating: N Type jack/plug = 30 μ" (0.76 μm) Gold center contact, 100 μ" (2.54 μm) Nickel outer contact  MMCXV jack/plug = 30 μ" (0.76 μm) Gold center contact, Gold flash outer contact	



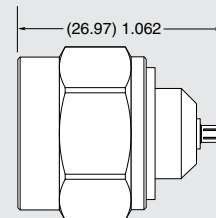
ADP5-06SJ2-V3SJ1



ADP5-06SJ2-V3SP1



ADP5-06SP2-V3SJ1



ADP5-06SP2-V3SP1

Due to technical progress, all designs, specifications and components are subject to change without notice.