



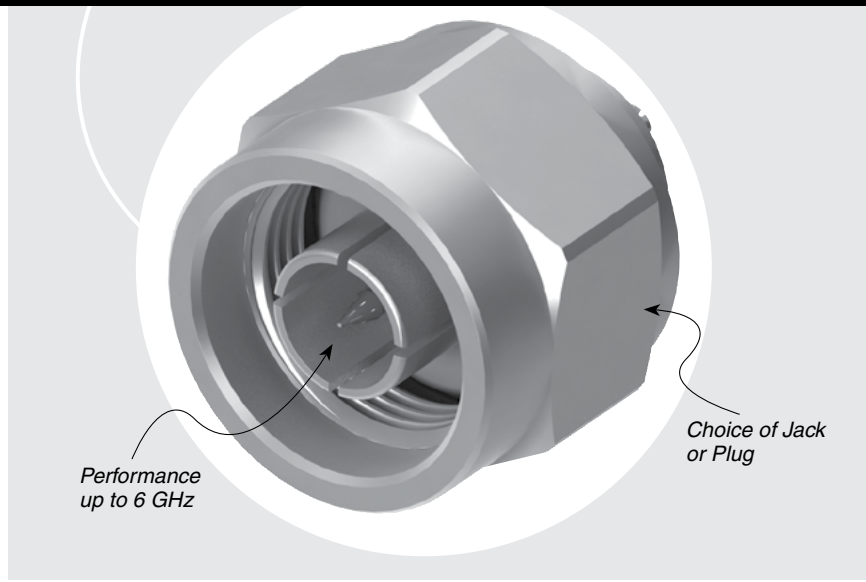
50 Ω OPTIMIZED ADAPTORS

SPECIFICATIONS

For complete specifications and recommended PCB layouts see www.samtec.com?ADP5

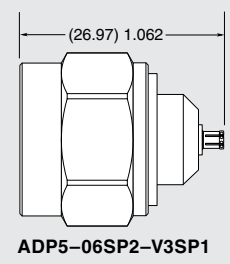
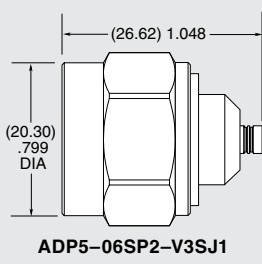
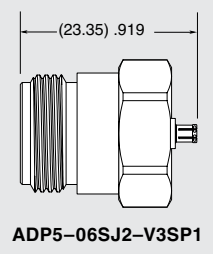
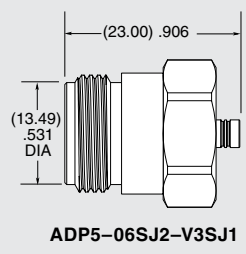
- Shell Material:**
Brass
- Contact Material:**
BeCu, Copper Alloy, Phosphor Bronze, or Brass
- Impedance:**
50 Ω
- Frequency Range:**
0-6 GHz
- Insulator Resistance:**
5,000 mΩ min.
- Operating Temp Range:**
-50 °C to +165 °C

Mates with:
RF174, RF316, RF178, RF058, GRF1H-C



N TYPE TO MMCXV

ADP5 ADAPTOR	PART NUMBER
N Type Jack to MMCXV Jack	ADP5-06SJ2-V3SJ1
N Type Jack to MMCXV Plug	ADP5-06SJ2-V3SP1
N Type Plug to MMCXV Jack	ADP5-06SP2-V3SJ1
N Type Plug to MMCXV Plug	ADP5-06SP2-V3SP1
Plating: N Type jack/plug = 30 μ" (0.76 μm) Gold center contact, 100 μ" (2.54 μm) Nickel outer contact MMCXV jack/plug = 30 μ" (0.76 μm) Gold center contact, Gold flash outer contact	



Due to technical progress, all designs, specifications and components are subject to change without notice.