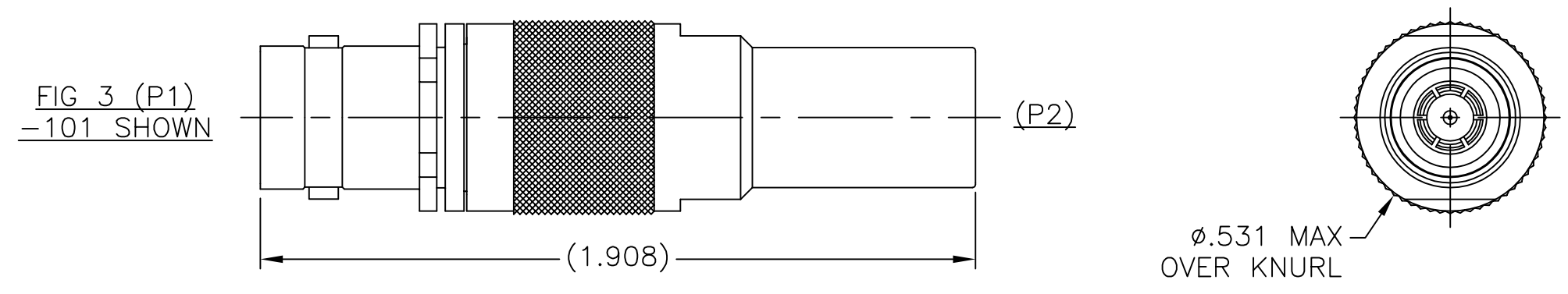
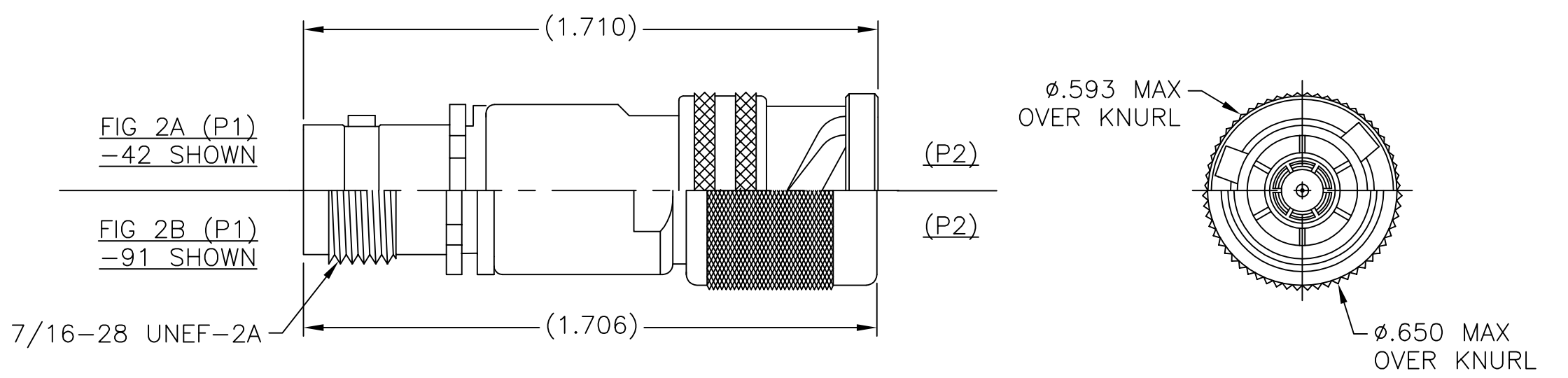
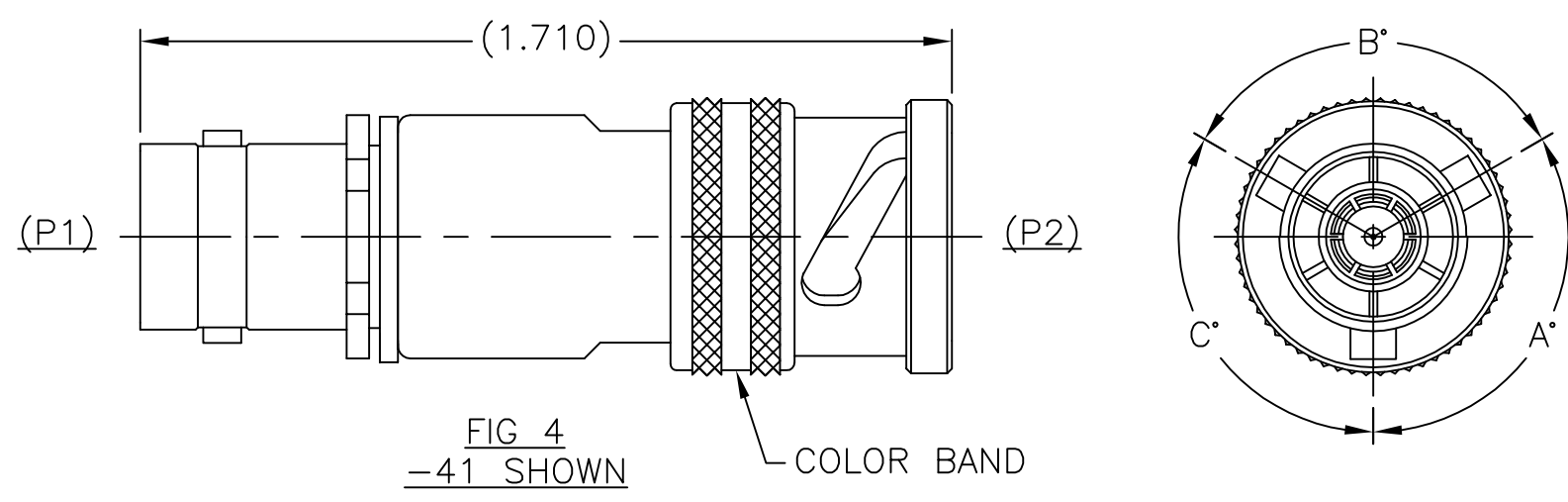
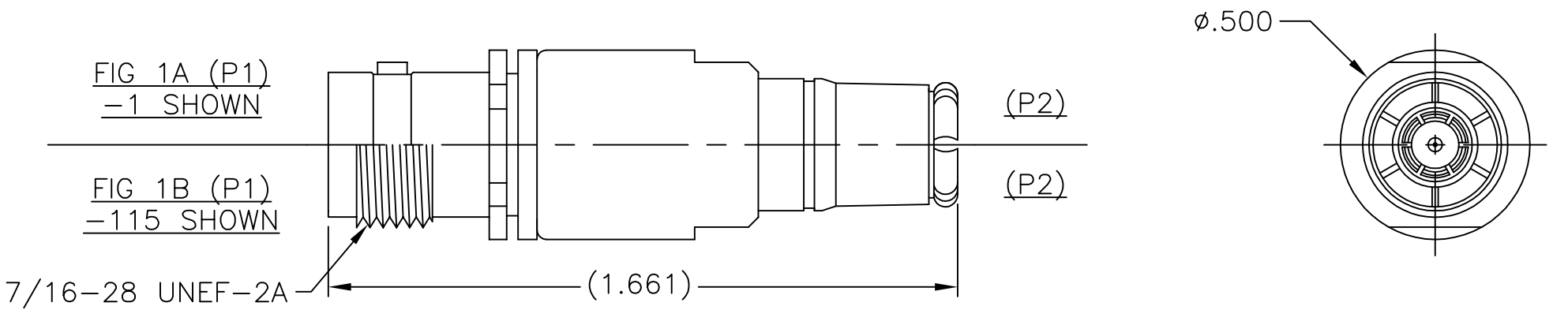


THE INFORMATION CONTAINED HEREON IS THE PROPERTY OF CINCH CONNECTIVITY SOLUTIONS, RECEIPT, POSSESSION OR TRANSMITTAL OF THIS DRAWING DOES NOT LICENSE OR IMPLY ANY RIGHT TO USE, SELL, PROTOTYPE OR MANUFACTURE FROM THIS INFORMATION. NO REPRODUCTIONS OR PUBLICATION OF THIS INFORMATION, IN WHOLE OR IN PART, SHALL BE MADE WITHOUT WRITTEN AUTHORIZATION FROM CINCH CONNECTIVITY SOLUTIONS.

| REV | ECO   | DATE    |
|-----|-------|---------|
| U   | 53496 | 1/9/12  |
| V   | 55770 | 7/27/15 |
| W   | 56112 | 7/24/17 |

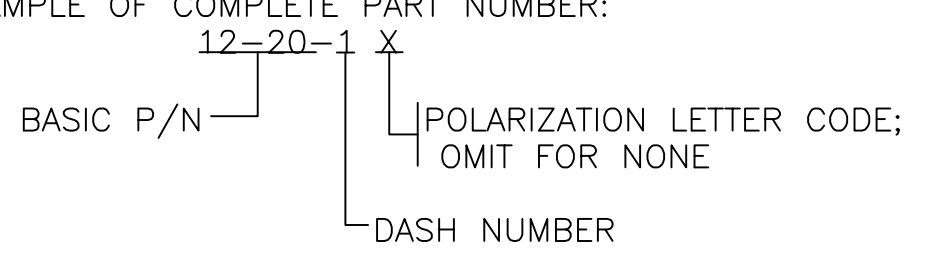
| P2 CONN TYPE | FIG NO | P1 CONN TYPE |      |      |      |      |      |      |       |      |      |      |      |      |      |      |      |      |      |      |      |      |       |      |      |      |      |      |      |       |      |  |  |  |  |  |
|--------------|--------|--------------|------|------|------|------|------|------|-------|------|------|------|------|------|------|------|------|------|------|------|------|------|-------|------|------|------|------|------|------|-------|------|--|--|--|--|--|
|              |        | BJ20         |      |      |      |      |      |      | UBJ20 |      |      |      |      |      |      | BJ40 |      |      |      |      |      |      | UBJ40 |      |      |      |      |      |      | BJ120 |      |  |  |  |  |  |
|              |        | SCHEMATICS   |      |      |      |      |      |      |       |      |      |      |      |      |      |      |      |      |      |      |      |      |       |      |      |      |      |      |      |       |      |  |  |  |  |  |
| DASH NUMBERS |        |              |      |      |      |      |      |      |       |      |      |      |      |      |      |      |      |      |      |      |      |      |       |      |      |      |      |      |      |       |      |  |  |  |  |  |
|              |        | E1           | E2   | E3   | E4   | E5   | E7   | E1   | E2    | E3   | E4   | E5   | E7   | E1   | E2   | E3   | E4   | E5   | E7   | E1   | E2   | E3   | E4    | E5   | E7   | E1   | E2   | E3   | E4   | E5    | E7   |  |  |  |  |  |
| PL73         | 1A/B   | -1           | -2   | -3   | -4   | -5   | -121 | -6   | -7    | -8   | -9   | -10  | -127 | -11  | -12  | -13  | -14  | -15  | -133 | -16  | -17  | -18  | -19   | -20  | -139 |      |      |      |      |       |      |  |  |  |  |  |
| PL74         | 2A     | -21          | -22  | -23  | -24  | -25  | -122 | -26  | -27   | -28  | -29  | -30  | -128 | -31  | -32  | -33  | -34  | -35  | -134 | -36  | -37  | -38  | -39   | -40  | -140 |      |      |      |      |       |      |  |  |  |  |  |
| PL75         | 4      | -41          | -42  | -43  | -44  | -45  | -123 | -46  | -47   | -48  | -49  | -50  | -129 | -51  | -52  | -53  | -54  | -55  | -135 | -56  | -57  | -58  | -59   | -60  | -141 | -225 | -226 | -227 | -228 | -229  | -230 |  |  |  |  |  |
| PL75FL       | 2A     | -61          | -62  | -63  | -64  | -65  | -124 | -66  | -67   | -68  | -69  | -70  | -130 | -71  | -72  | -73  | -74  | -75  | -136 | -76  | -77  | -78  | -79   | -80  | -142 |      |      |      |      |       |      |  |  |  |  |  |
| PL375        | 2B     | -81          | -82  | -83  | -84  | -85  | -125 | -86  | -87   | -88  | -89  | -90  | -131 | -91  | -92  | -93  | -94  | -95  | -137 | -96  | -97  | -98  | -99   | -100 | -143 |      |      |      |      |       |      |  |  |  |  |  |
| PL71         | 3      | -101         | -102 | -103 | -104 | -105 | -126 | -106 | -107  | -108 | -109 | -110 | -132 | -111 | -112 | -113 | -114 | -115 | -138 | -116 | -117 | -118 | -119  | -120 | -144 |      |      |      |      |       |      |  |  |  |  |  |
| PL74RG       | 2A     | -221         |      | -193 |      |      |      | -222 |       | -194 |      |      |      | -223 |      | -195 |      |      |      | -224 |      | -196 |       |      |      |      |      |      |      |       |      |  |  |  |  |  |
| PL75RG       | 4      | -197         | -198 | -199 | -200 | -201 | -202 | -203 | -204  | -205 | -206 | -207 | -208 | -209 | -210 | -211 | -212 | -213 | -214 | -215 | -216 | -217 | -218  | -219 | -220 |      |      |      |      |       |      |  |  |  |  |  |

| KEY LETTER | A*  | B*  | C*  | COLOR BAND |
|------------|-----|-----|-----|------------|
| NONE       | 120 | 120 | 120 | NONE       |
| S          | 135 | 135 | 90  | WHITE      |
| T          | 100 | 150 | 110 | RED        |
| U          | 120 | 130 | 110 | ORANGE     |
| V          | 115 | 130 | 115 | YELLOW     |
| W          | 125 | 110 | 125 | GREEN      |
| X          | 130 | 100 | 130 | BLUE       |
| Y          | 110 | 140 | 110 | VIOLET     |
| Z          | 100 | 160 | 100 | GRAY       |

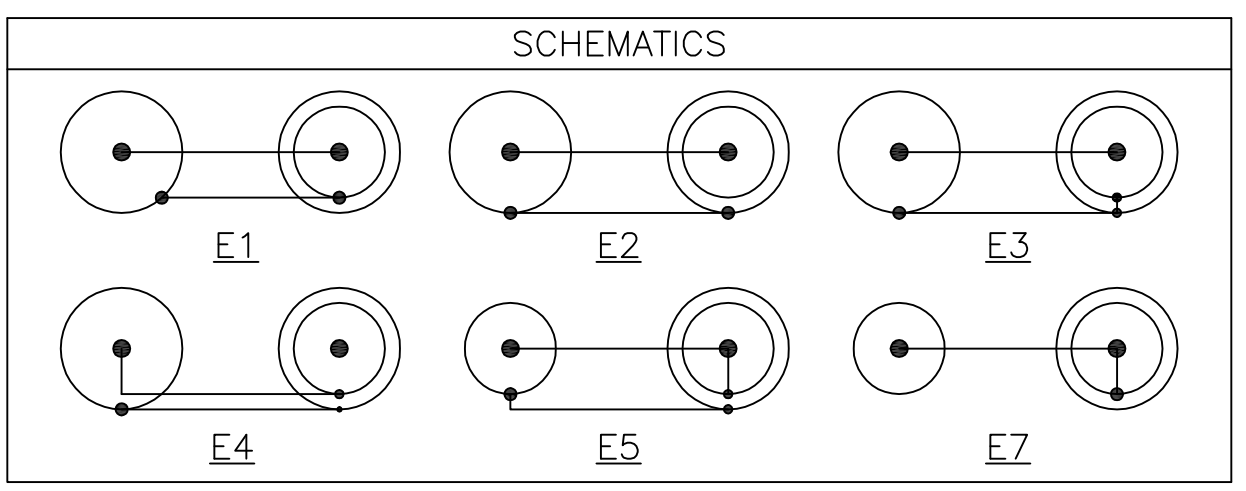


NOTES: UNLESS OTHERWISE SPECIFIED.

- BODY & BAYONET/COUPLING SLEEVE FINISH: NICKEL
- BETWEEN SERIES ADAPTER, 50 & 75 OHM BNC / TNC SERIES JACK TO PLUG.
- EXAMPLE OF COMPLETE PART NUMBER:



- EXAMPLE OF COMPLETE MODEL NUMBER:  
AD - U BJ20 - E1 - PL75 RG X  
ADAPTER - U=75 OHMS - (P1)CONN TYPE - SCHEMATIC - (P2) CONN TYPE - POLARIZATION LETTER CODE; OMIT FOR NONE - REVERSE GENDER;



|   |                     |                                       |       |
|---|---------------------|---------------------------------------|-------|
| UNLESS OTHERWISE SPECIFIED DIMENSIONS ARE IN INCHES TOLERANCES ARE: |                     | <b>CINCH TROMPETER</b><br>a bel group |       |
| FRACTIONS ±   | DECIMALS ±          |                                       |       |
|   | .XX ±               |                                       |       |
|   | .XXX ±              | .005                                  |       |
|   | .XXXX ±             |                                       |       |
| SIGNATURES  |                     | DATE                                  |       |
| DRAWN BY C. WALLACE   |                     | 3/9/16                                |       |
| CHECKED BY C. MONAHAN   |                     | 7/25/17                               |       |
| APPROVED BY C. MONAHAN  |                     | 7/25/17                               |       |
| APPROVED BY   |                     |                                       |       |
| SIZE C  | CAGE CODE 14949     | DWG NO. C_12-20                       | REV W |
| SCALE N/A   | START DATE 12/16/86 | SHEET 1 OF 1                          |       |

5. SEE TABLE 1 FOR POLARIZATION LETTER CODE.