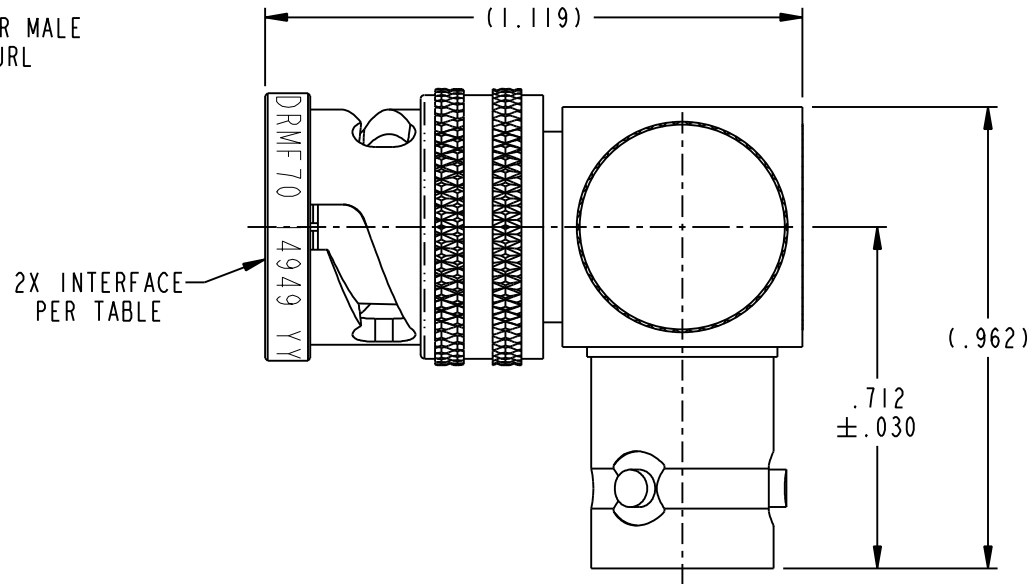
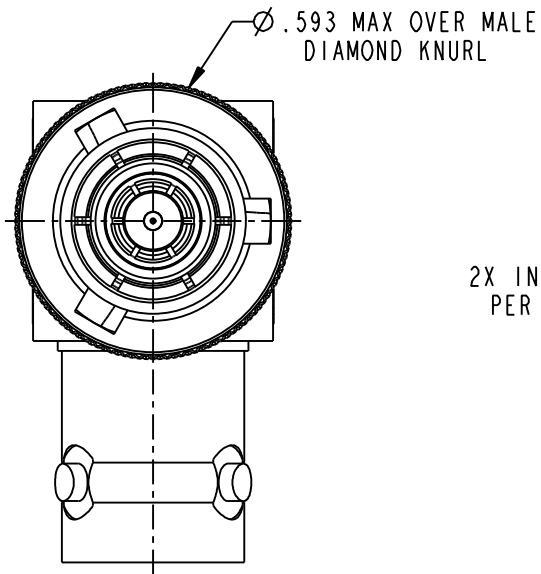
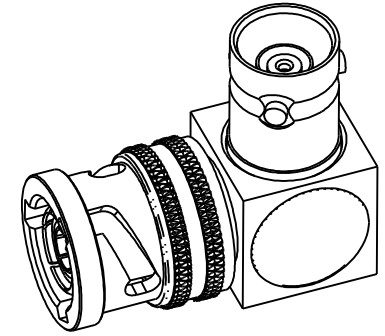


MODEL NUMBER	DESCRIPTION (BOTH SIDES)	JACK INTERFACE PER MIL-STD-348 FIG XXX-X	PLUG INTERFACE PER MIL-STD-348 FIG XXX-X
ADRMF 70	3 LUG	201-2	201-1
ADRMF 70TL	2 LUG	201-2	201-1
ADRMF 370	THREADED	202-2	202-1
ADRMF 70FL	4 LUG	201-2	201-1



ADRMF 70 SHOWN

NOTES: UNLESS OTHERWISE SPECIFIED.

1. MATERIAL & FINISH:

- 1.1 BODY: NICKEL PLATED BRASS
- 1.2 INSULATOR: PTFE (TEFLON)
- 1.3 INTERMEDIATE CONTACT: GOLD PLATED COPPER ALLOY
- 1.4 DIELECTRIC: PTFE (TEFLON)
- 1.5 CENTER CONTACT: GOLD PLATED COPPER ALLOY
- 1.6 GASKET: SILICONE RUBBER

2. ELECTRICAL:

- 2.1 FREQUENCY (MAX): 500 MHz
- 2.2 IMPEDANCE: NON-CONSTANT

<p>This PROPRIETARY Document is property of Cinch Connectivity Solutions. It is confidential in nature, non-transferable, and issued with the clear understanding that it is not to be traced or copied without permission and is returnable upon demand.</p> <p>INTERPRET DRAWING IN ACCORDANCE WITH ASME Y14.5-2009.</p>	<p>3RD ANGLE PROJECTION</p>	<p>TROMPETER</p>	
	<p>RoHS2 <input checked="" type="checkbox"/></p> <p>2011/65/EU</p>	<p>Title: TRB/TRT RIGHT ANGLE ADAPTER</p>	
	<p>UNLESS OTHERWISE SPECIFIED UNITS: INCH</p> <p>.XX ±.02</p> <p>.XXX ±.010</p> <p>ANGLES ±2°</p>	<p>Model No. ADRMFXXXX</p>	
	<p>Size A</p>	<p>DO NOT SCALE DRAWING</p>	<p>Date: 8/10/2015</p>