

## ADSP-SC570/SC571/SC572/SC573/ADSP-21571/21573

### SYSTEM FEATURES

- Dual-enhanced SHARC+ high performance floating-point cores
  - Up to 500 MHz per SHARC+ core
  - Up to 3 Mb (384 kB) L1 SRAM memory per core with parity (optional ability to configure as cache)
  - 32-bit, 40-bit, and 64-bit floating-point support
  - 32-bit fixed point
  - Byte, short word, word, long word addressed
- ARM Cortex-A5 core
  - 500 MHz/800 DMIPS with NEON/VFPv4-D16/Jazelle
  - 32 kB L1 instruction cache with parity/32 kB L1 data cache with parity
  - 256 kB L2 cache with parity
- Powerful DMA system
- On-chip memory protection
- Integrated safety features

17 mm × 17 mm 400-ball CSP\_BGA and 176-lead LQFP\_EP, RoHS compliant

Low system power across automotive temperature range

### MEMORY

Large on-chip L2 SRAM with ECC protection, up to 1 MB  
One L3 interface optimized for low system power, providing 16-bit interface to DDR3 (supporting 1.5 V capable DDR3L devices), DDR2, or LPDDR1 SDRAM devices

### ADDITIONAL FEATURES

- Security and Protection
  - Cryptographic hardware accelerators
  - Fast secure boot with IP protection
  - Support for ARM TrustZone
- Accelerators
  - FIR, IIR offload engines
- Qualified for automotive applications

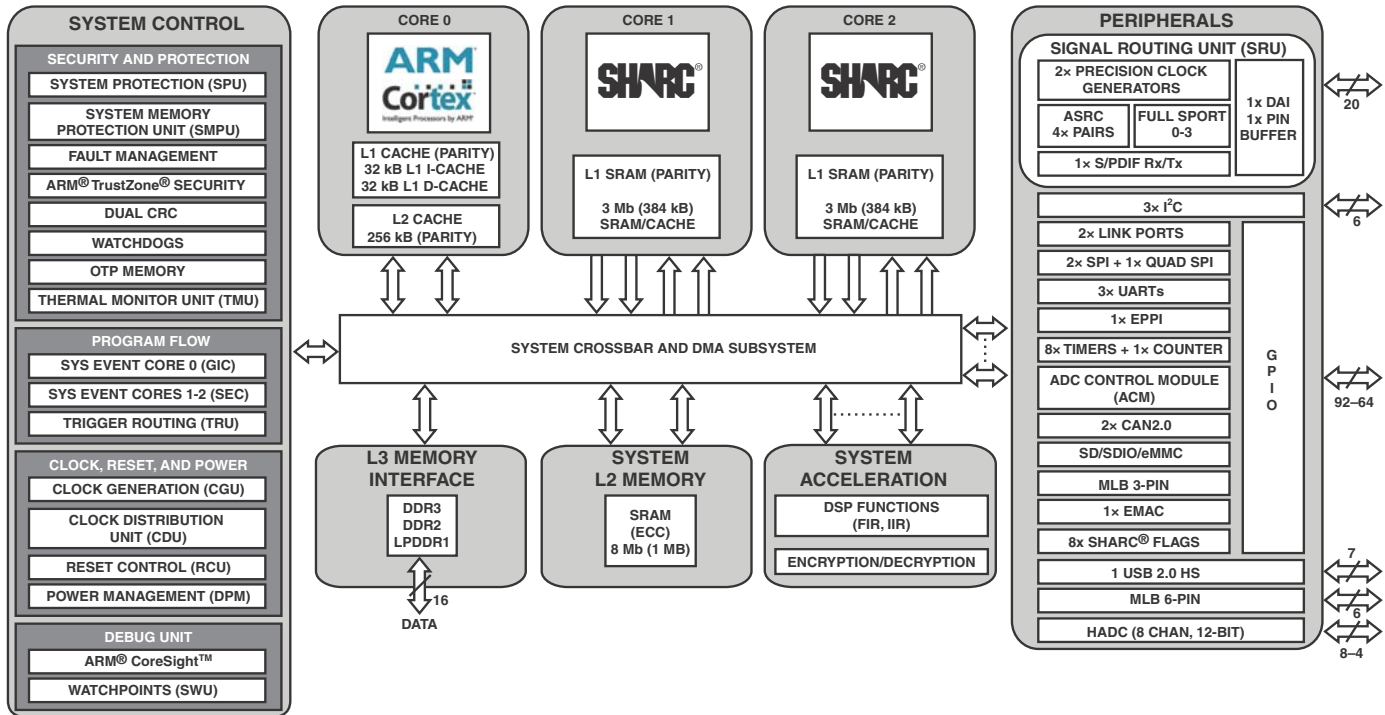


Figure 1. Processor Block Diagram

SHARC, SHARC+, and the SHARC logo are registered trademarks of Analog Devices, Inc.

**Rev. B** [Document Feedback](#)  
Information furnished by Analog Devices is believed to be accurate and reliable. However, no responsibility is assumed by Analog Devices for its use, nor for any infringements of patents or other rights of third parties that may result from its use. Specifications subject to change without notice. No license is granted by implication or otherwise under any patent or patent rights of Analog Devices. Trademarks and registered trademarks are the property of their respective owners.

One Technology Way, P.O. Box 9106, Norwood, MA 02062-9106 U.S.A.  
Tel: 781.329.4700 ©2018 Analog Devices, Inc. All rights reserved.  
[Technical Support](#) [www.analog.com](http://www.analog.com)

# ADSP-SC570/SC571/SC572/SC573/ADSP-21571/21573

## TABLE OF CONTENTS

|  |    |   |     |
|--|----|---|-----|
| System Features .....                                | 1  | ADSP-SC57x/ADSP-2157x Designer Quick Reference .... | 45  |
| Memory .....   | 1  | Specifications .....                                | 56  |
| Additional Features .....                            | 1  | Operating Conditions .....                          | 56  |
| Table Of Contents .....                              | 2  | Electrical Characteristics .....                    | 60  |
| Revision History .....                               | 2  | HADC .....  | 64  |
| General Description .....                            | 3  | TMU .....   | 64  |
| ARM Cortex-A5 Processor .....                        | 5  | Absolute Maximum Ratings .....                      | 65  |
| SHARC Processor .....                                | 6  | ESD Caution .....                                   | 65  |
| SHARC+ Core Architecture .....                       | 8  | Timing Specifications .....                         | 66  |
| System Infrastructure .....                          | 10 | Output Drive Currents .....                         | 122 |
| System Memory Map .....                              | 11 | Test Conditions .....                               | 124 |
| Security Features .....                              | 13 | Environmental Conditions .....                      | 126 |
| Security Features Disclaimer .....                   | 14 | ADSP-SC57x/ADSP-2157x 400-Ball BGA Ball             |     |
| Safety Features .....                                | 14 | Assignments .....                                   | 127 |
| Processor Peripherals .....                          | 15 | Numerical by Ball Number .....                      | 127 |
| System Acceleration .....                            | 19 | Alphabetical by Pin Name .....                      | 130 |
| System Design .....                                  | 20 | Configuration of the 400-Ball CSP_BGA .....         | 133 |
| System Debug .....                                   | 22 | ADSP-SC57x/ADSP-2157x 176-Lead LQFP Lead            |     |
| Development Tools .....                              | 22 | Assignments .....                                   | 134 |
| Additional Information .....                         | 23 | Numerical by Lead Number .....                      | 134 |
| Related Signal Chains .....                          | 23 | Alphabetical by Pin Name .....                      | 136 |
| ADSP-SC57x/ADSP-2157x Detailed Signal                |    | Configuration of the 176-Lead LQFP Lead             |     |
| Descriptions .....                                   | 24 | Configuration .....                                 | 137 |
| 400-Ball CSP_BGA Signal Descriptions .....           | 28 | Outline Dimensions .....                            | 138 |
| GPIO Multiplexing for 400-Ball CSP_BGA Package ..... | 35 | Surface-Mount Design .....                          | 139 |
| 176-Lead LQFP Signal Descriptions .....              | 38 | Automotive Products .....                           | 140 |
| GPIO Multiplexing for 176-Lead LQFP Package .....    | 43 | Ordering Guide .....                                | 141 |

## REVISION HISTORY

### 6/2018—Rev. A to Rev. B

|   |    |  |     |
|---|----|--|-----|
| Changes to System Features .....  | 1  | Changes to Program Trace Macrocell (PTM) Timing .... | 120 |
| Changes to Additional Features .....  | 1  | Changes to Test Conditions .....                     | 124 |
| Changes to Table 2 and Table 3, General Description .....                           | 3  | Changes to Automotive Products .....                 | 140 |
| Changes to Operating Conditions .....   | 56 | Changes to Ordering Guide .....                      | 141 |
| Deleted Package Information from Specifications .....                               | 56 |  |     |
| Changes to Table 27 and Table 28, Clock Related Operating Conditions .....          | 58 |  |     |
| Changes to Electrical Characteristics .....   | 60 |  |     |
| Changes to Table 29, Table 32, and Table 33, Total Internal Power Dissipation ..... | 62 |  |     |
| Changes to Table 37, HADC Timing Specifications .....                               | 64 |  |     |

# ADSP-SC570/SC571/SC572/SC573/ADSP-21571/21573

## GENERAL DESCRIPTION

The ADSP-SC57x/ADSP-2157x processors are members of the SHARC® family of products. The ADSP-SC57x processor is based on the SHARC+® dual-core and the ARM® Cortex®-A5 core. The ADSP-SC57x/ADSP-2157x SHARC processors are members of the single-instruction, multiple data (SIMD) SHARC family of digital signal processors (DSPs) that feature Analog Devices Super Harvard Architecture. These 32-bit/40-bit/64-bit floating-point processors are optimized for high performance audio/floating-point applications with large on-chip static random-access memory (SRAM), multiple internal buses that eliminate input/output (I/O) bottlenecks, and innovative digital audio interfaces (DAI). New additions to the SHARC+ core include cache enhancements and branch prediction, while maintaining instruction set compatibility to previous SHARC products.

By integrating a set of industry leading system peripherals and memory (see [Table 1](#), [Table 2](#), and [Table 3](#)), the ARM Cortex-A5 and SHARC processor is the platform of choice for applications that require programmability similar to reduced instruction set computing (RISC), multimedia support, and leading edge signal processing in one integrated package. These applications span a wide array of markets, including automotive, professional audio, and industrial-based applications that require high floating-point performance.

[Table 2](#) provides comparison information for features that vary across the standard processors.

[Table 3](#) provides comparison information for features that vary across the automotive processors.

**Table 1. Common Product Features**

| Product Features              | ADSP-SC57x/ADSP-2157x         |
|-------------------------------|-------------------------------|
| DAI (includes SRU)            | 1                             |
| Full SPORTs                   | 4                             |
| S/PDIF receive/transmit       | 1                             |
| ASRCs                         | 4                             |
| PCGs                          | 2                             |
| Pin buffers                   | 20                            |
| I <sup>2</sup> C (TWI)        | 3                             |
| Quad-data bit SPI             | 1                             |
| Dual-data bit SPI             | 2                             |
| CAN2.0                        | 2                             |
| UARTs                         | 3                             |
| Enhanced PPI                  | 1                             |
| Up to 16-bit on BGA           |                               |
| 12-bit on LQFP                |                               |
| GP timer                      | 8                             |
| GP counter                    | 1                             |
| Watchdog timers               | 3                             |
| ADC control module            | Yes                           |
| Hardware accelerators         |                               |
| FIR/IIR                       | Yes                           |
| Security cryptographic engine | Yes                           |
| Multichannel 12-bit ADC       | 8-channel BGA; 4-channel LQFP |

# ADSP-SC570/SC571/SC572/SC573/ADSP-21571/21573

Table 2. Comparison of ADSP-SC57x/ADSP-2157x Processor Features<sup>1</sup>

| Processor Feature                  | ADSP-SC570                           | ADSP-SC571  | ADSP-SC572  | ADSP-SC573  | ADSP-21571  | ADSP-21573  |
|------------------------------------|--------------------------------------|-------------|-------------|-------------|-------------|-------------|
| ARM Cortex-A5 (MHz, Max)           | 450                                  | 500         | 450         | 500         | N/A         | N/A         |
| ARM Core L1 Cache (I, D kB)        | 32, 32                               | 32, 32      | 32, 32      | 32, 32      | N/A         | N/A         |
| ARM Core L2 Cache (kB)             | 256                                  | 256         | 256         | 256         | N/A         | N/A         |
| SHARC+ Core1 (MHz, Max)            | 450                                  | 500         | 450         | 500         | 500         | 500         |
| SHARC+ Core2 (MHz, Max)            | N/A                                  | 500         | N/A         | 500         | 500         | 500         |
| SHARC L1 SRAM (kB)                 | 1 × 384                              | 2 × 384     | 1 × 384     | 2 × 384     | 2 × 384     | 2 × 384     |
| System Memory                      | L2 SRAM (Shared) (MB)                | 1           | 1           | 1           | 1           | 1           |
|                                    | DDR3/DDR2/LPDDR1 Controller (16-bit) | N/A         | N/A         | 1           | 1           | N/A         |
| USB 2.0 HS + PHY (Host/Device/OTG) | N/A                                  | N/A         | 1           | 1           | N/A         | N/A         |
| EMAC Std/AVB + Timer IEEE 1588     | 10/100                               | 10/100      | 10/100/1000 | 10/100/1000 | N/A         | N/A         |
| SDIO/eMMC                          | N/A                                  | N/A         | 1           | 1           | N/A         | N/A         |
| Link Ports                         | 1                                    | 1           | 2           | 2           | 1           | 2           |
| GPIO Ports                         | Port A to D                          | Port A to D | Port A to F | Port A to F | Port A to D | Port A to F |
| GPIO + DAI Pins                    | 64 + 20                              | 64 + 20     | 92 + 20     | 92 + 20     | 64 + 20     | 92 + 20     |
| Package Options                    | 176-LQFP                             | 176-LQFP    | 400-BGA     | 400-BGA     | 176-LQFP    | 400-BGA     |

<sup>1</sup>N/A means not applicable.

Table 3. Comparison of ADSP-SC57x/ADSP-2157x Processor Features for Automotive<sup>1</sup>

| Processor Feature                  | ADSP-SC570W                          | ADSP-SC571W | ADSP-SC572W | ADSP-SC573W | ADSP-21571W | ADSP-21573W |
|------------------------------------|--------------------------------------|-------------|-------------|-------------|-------------|-------------|
| ARM Cortex-A5 (MHz, Max)           | 450                                  | 500         | 450         | 500         | N/A         | N/A         |
| ARM Core L1 Cache (I, D kB)        | 32, 32                               | 32, 32      | 32, 32      | 32, 32      | N/A         | N/A         |
| ARM Core L2 Cache (kB)             | 256                                  | 256         | 256         | 256         | N/A         | N/A         |
| SHARC+ Core1 (MHz, Max)            | 450                                  | 500         | 450         | 500         | 500         | 500         |
| SHARC+ Core2 (MHz, Max)            | N/A                                  | 500         | N/A         | 500         | 500         | 500         |
| SHARC L1 SRAM (kB)                 | 1 × 384                              | 2 × 384     | 1 × 384     | 2 × 384     | 2 × 384     | 2 × 384     |
| System Memory                      | L2 SRAM (Shared) (MB)                | 1           | 1           | 1           | 1           | 1           |
|                                    | DDR3/DDR2/LPDDR1 Controller (16-bit) | N/A         | N/A         | 1           | 1           | N/A         |
| USB 2.0 HS + PHY (Host/Device/OTG) | N/A                                  | N/A         | 1           | 1           | N/A         | N/A         |
| EMAC Std/AVB + Timer IEEE 1588     | 10/100                               | 10/100      | 10/100/1000 | 10/100/1000 | N/A         | N/A         |
| SDIO/eMMC                          | N/A                                  | N/A         | 1           | 1           | N/A         | N/A         |
| MLB 3-Pin/6-Pin                    | 3-pin                                | 3-pin       | 6-pin/3-pin | 6-pin/3-pin | 3-pin       | 6-pin/3-pin |
| Link Ports                         | 1                                    | 1           | 2           | 2           | 1           | 2           |
| GPIO Ports                         | Port A to D                          | Port A to D | Port A to F | Port A to F | Port A to D | Port A to F |
| GPIO + DAI Pins                    | 64 + 20                              | 64 + 20     | 92 + 20     | 92 + 20     | 64 + 20     | 92 + 20     |
| Package Options                    | 176-LQFP                             | 176-LQFP    | 400-BGA     | 400-BGA     | 176-LQFP    | 400-BGA     |

<sup>1</sup>N/A means not applicable.

# ADSP-SC570/SC571/SC572/SC573/ADSP-21571/21573

## ARM CORTEX-A5 PROCESSOR

The ARM Cortex-A5 processor (see [Figure 2](#)) is a high performance processor with the following features:

- Instruction cache unit (32 Kb) and data Level 1 (L1) cache unit (32 Kb)
- In order pipeline with dynamic branch prediction
- ARM, Thumb, and ThumbEE instruction set support
- ARM TrustZone® security extensions

- Harvard L1 memory system with a memory management unit (MMU)
- ARM v7 debug architecture
- Trace support through an embedded trace macrocell (ETM) interface
- Extension—vector floating-point unit (IEEE754) with trap-less execution
- Extension—media processing engine (MPE) with NEON™ technology
- Extension—Jazelle® hardware acceleration

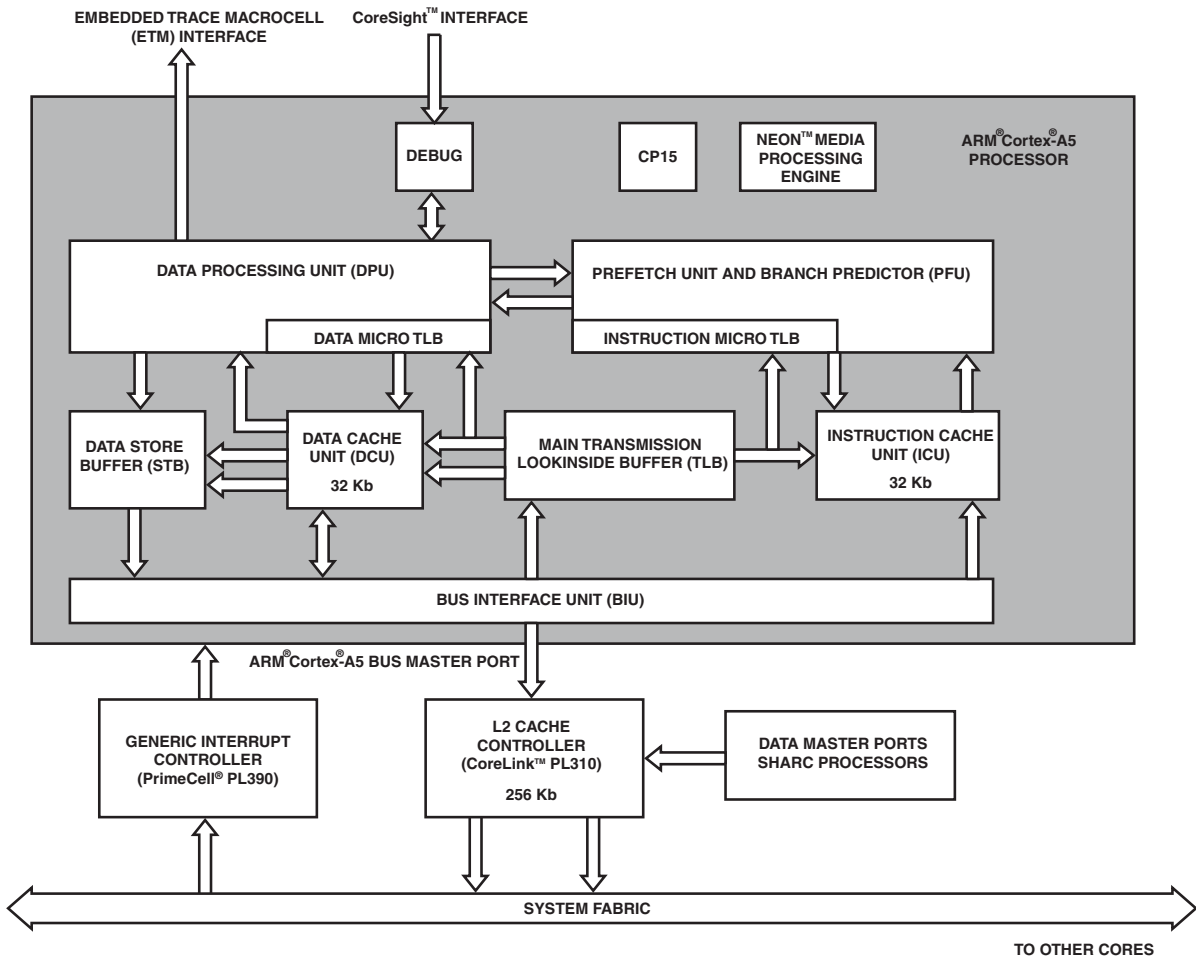


Figure 2. ARM Cortex-A5 Processor Block Diagram

# ADSP-SC570/SC571/SC572/SC573/ADSP-21571/21573

## Generic Interrupt Controller (GIC), PL390 (ADSP-SC57x Only)

The generic interrupt controller (GIC) is a centralized resource for supporting and managing interrupts. The GIC splits into the distributor block (GICPORT0) and the central processing unit (CPU) interface block (GICPORT1).

### Generic Interrupt Controller Port0 (GICPORT0)

The GICPORT0 distributor block performs interrupt prioritization and distribution to the GICPORT1 CPU interface blocks that connect to the processors in the system. It centralizes all interrupt sources, determines the priority of each interrupt, and forwards the interrupt with the highest priority to the interface, for priority masking and preemption handling.

### Generic Interrupt Controller Port1 (GICPORT1)

The GICPORT1 CPU interface block performs priority masking and preemption handling for a connected processor in the system. GICPORT1 supports 8 software generated interrupts (SGIs) and 212 shared peripheral interrupts (SPIs).

## L2 Cache Controller, PL310 (ADSP-SC57x Only)

The Level 2 (L2) cache controller, PL310 (see Figure 2), works efficiently with the ARM Cortex-A5 processors that implement system fabric. The cache controller directly interfaces on the data and instruction interface. The internal pipelining of the cache controller is optimized to enable the processors to operate at the same clock frequency. The cache controller supports the following:

- Two read/write 64-bit slave ports, one connected to the ARM Cortex-A5 instruction and data interfaces, and one connecting the ARM Cortex-A5 and SHARC+ cores for data coherency.
- Two read/write 64-bit master ports for interfacing with the system fabric.

## SHARC PROCESSOR

Figure 3 shows the SHARC processor integrates a SHARC+ SIMD core, L1 memory crossbar, I/D cache controller, L1 memory blocks, and the master/slave ports. Figure 4 shows the SHARC+ SIMD core block diagram.

The SHARC processor supports a modified Harvard architecture in combination with a hierarchical memory structure. L1 memories typically operate at the full processor speed with little or no latency.



Figure 3. SHARC Processor Block Diagram

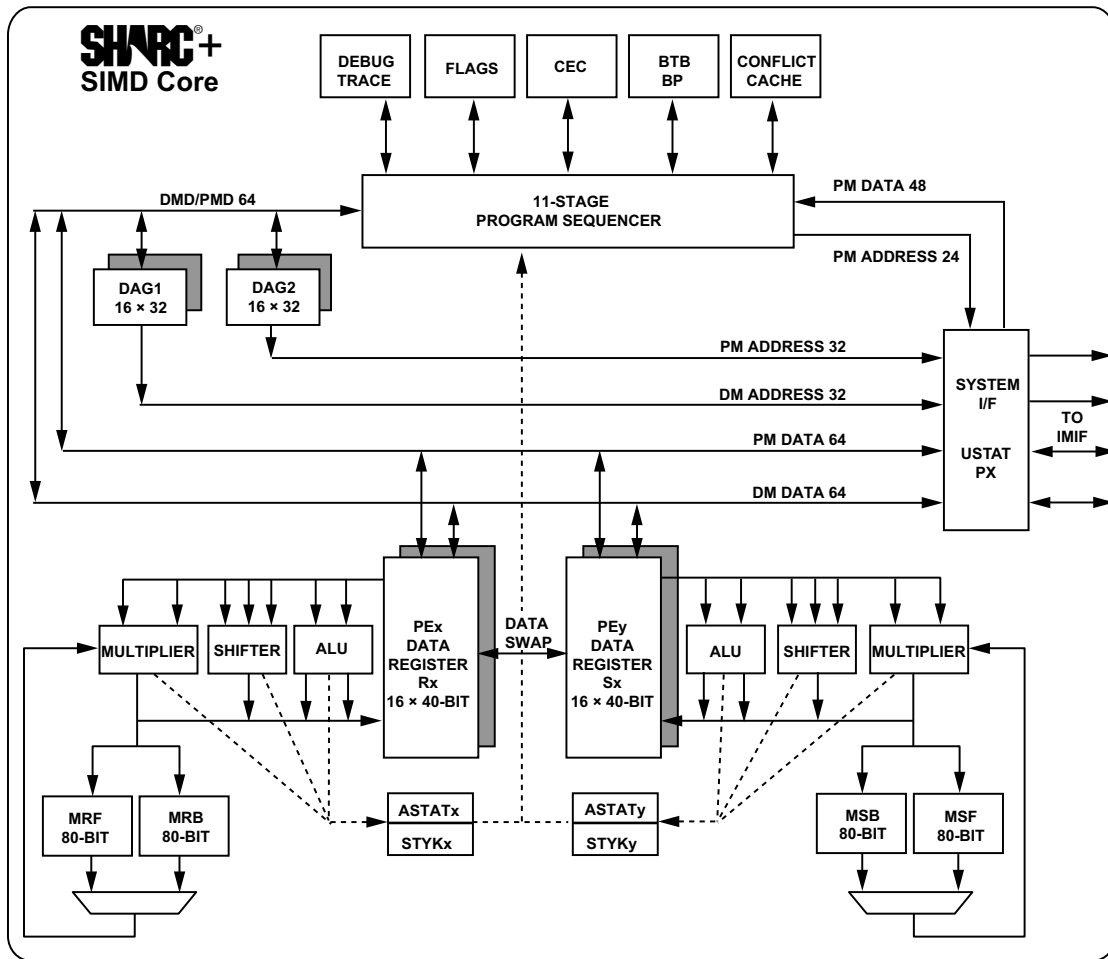


Figure 4. SHARC+ SIMD Core Block Diagram

## L1 Memory

Figure 5 shows the ADSP-SC57x/ADSP-2157x memory map. Each SHARC+ core has a tightly coupled L1 SRAM of up to 3 Mb. Each SHARC+ core can access code and data in a single cycle from this memory space. The ARM Cortex-A5 core can also access this memory space with multicycle accesses.

In the SHARC+ core private address space, both cores have L1 memory.

SHARC+ core memory-mapped register (CMMR) address space is 0x00000000 through 0x0003FFFF in normal word (32-bit). Each block can be configured for different combinations of code and data storage. Of the 3 Mb SRAM, up to 1024 Kb/512 Kb can be configured for data memory (DM), program memory (PM), and instruction cache. Each memory block supports single-cycle, independent accesses by the core processor and I/O processor. The memory architecture, in combination with its separate on-chip buses, allows two data transfers from the core and one from the direct memory access (DMA) engine in a single cycle.

The SRAM of the processor can be configured as a maximum of 96k words of 32-bit data, 192k words of 16-bit data, 64k words of 48-bit instructions (or 40-bit data), or combinations of different word sizes up to 3 Mb. All of the memory can be accessed as 8-bit, 16-bit, 32-bit, 48-bit, or 64-bit words. Support of a 16-bit floating-point storage format doubles the amount of data that can be stored on chip.

Conversion between the 32-bit floating-point and 16-bit floating-point formats is performed in a single instruction. While each memory block can store combinations of code and data, accesses are most efficient when one block stores data using the DM bus for transfers, and the other block stores instructions and data using the PM bus for transfers.

Using the DM and PM buses, with each bus dedicated to a memory block, assures single-cycle execution with two data transfers. In this case, the instruction must be available in the cache.

# ADSP-SC570/SC571/SC572/SC573/ADSP-21571/21573

The system configuration is flexible, but a typical configuration is 512 Kb DM, 128 Kb PM, and 128 Kb of instruction cache, with the remaining L1 memory configured as SRAM. Each addressable memory space outside the L1 memory can be accessed either directly or via cache.

The memory map in Table 4 gives the L1 memory address space and shows multiple L1 memory blocks offering a configurable mix of SRAM and cache.

## L1 Master and Slave Ports

Each SHARC+ core has two master ports and two slave ports to and from the system fabric. One master port fetches instructions. The second master port drives data to the system world. Slave port 1 together with slave port 2 (MDMA) run conflict free access to the individual memory blocks. For the slave port address, refer to the L1 memory address map in Table 4.

## L1 On-Chip Memory Bandwidth

The internal memory architecture allows programs to have four accesses at the same time to any of the four blocks, assuming no block conflicts. The total bandwidth is realized using both the DMD and PMD buses (2 × 64-bits CCLK speed and 2 × 32-bit SYCLK speed).

## Instruction and Data Cache

The ADSP-SC57x/ADSP-2157x processors also include a traditional instruction cache (I-cache) and two data caches (D-cache) (PM/DM caches) with parity support for all caches. These caches support one instruction access and two data accesses over the DM and PM buses, per CCLK cycle. The cache controllers automatically manage the configured L1 memory. The system can configure part of the L1 memory for automatic management by the cache controllers. The sizes of these caches are independently configurable from 0 kB to a maximum of 128 kB each. The memory not managed by the cache controllers is directly addressable by the processors. The controllers ensure the data coherence between the two data caches. The caches provide user-controllable features such as full and partial locking, range bound invalidation, and flushing.

## System Event Controller (SEC) Input

The output of the system event controller (SEC) controller is forwarded to the core event controller (CEC) to respond directly to all unmasked system-based interrupts. The SEC also supports nesting including various SEC interrupt channel arbitration options. The processor automatically stacks the arithmetic status (ASTATx and ASTATy) registers and mode (MODE1) register in parallel with the interrupt servicing for all SEC channels.

## Core Memory-Mapped Registers (CMMR)

The core memory-mapped registers (CMMR) control the L1 instruction and data cache, BTB, L2 cache, parity error, system control, debug, and monitor functions.

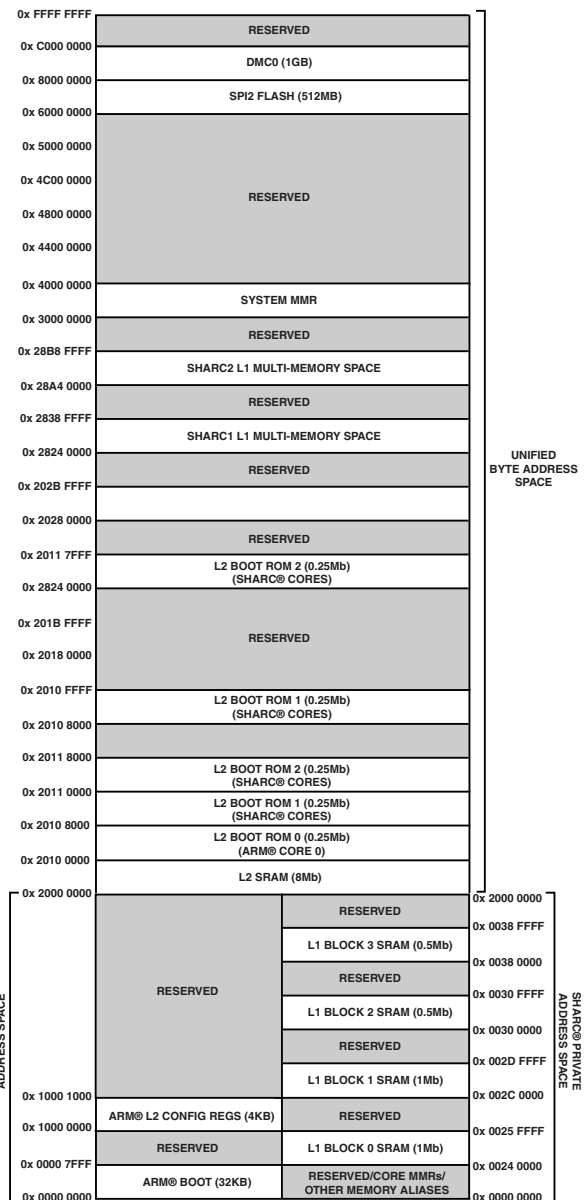


Figure 5. ADSP-SC57x/ADSP-2157x Memory Map

## SHARC+ CORE ARCHITECTURE

The ADSP-SC57x/ADSP-2157x processors are code compatible at the assembly level with the ADSP-2148x, ADSP-2147x, ADSP-2146x, ADSP-2137x, ADSP-2136x, ADSP-2126x, ADSP-2116x, and with the first-generation ADSP-2106x SHARC processors.

The ADSP-SC57x/ADSP-2157x processors share architectural features with the ADSP-2126x, ADSP-2136x, ADSP-2137x, ADSP-214xx, and ADSP-2116x SIMD SHARC processors, shown in Figure 4 and detailed in the following sections.



## **Single-Instruction, Multiple Data (SIMD) Computational Engine**

The SHARC+ core contains two computational processing elements that operate as a single-instruction, multiple data (SIMD) engine.

The processing elements are referred to as PEx and PEy data registers and each contain an arithmetic logic unit (ALU), multiplier, shifter, and register file. PEx is always active and PEy is enabled by setting the PEYEN mode bit in the mode control register (MODE1).

SIMD mode allows the processors to execute the same instruction in both processing elements, but each processing element operates on different data. This architecture efficiently executes math intensive DSP algorithms. In addition to all the features of previous generation SHARC cores, the SHARC+ core also provides a new and simpler way to execute an instruction only on the PEy data register.

SIMD mode also affects the way data transfers between memory and the processing elements because to sustain computational operation in the processing elements requires twice the data bandwidth. Therefore, entering SIMD mode doubles the bandwidth between memory and the processing elements. When using the DAGs to transfer data in SIMD mode, two data values transfer with each memory or register file access.

## **Independent Parallel Computation Units**

Within each processing element is a set of pipelined computational units. The computational units consist of a multiplier, arithmetic/logic unit (ALU), and shifter. These units are arranged in parallel, maximizing computational throughput. These computational units support IEEE 32-bit single-precision floating-point, 40-bit extended-precision floating-point, IEEE 64-bit double-precision floating-point, and 32-bit fixed-point data formats.

A multifunction instruction set supports parallel execution of the ALU and multiplier operations. In SIMD mode, the parallel ALU and multiplier operations occur in both processing elements per core.

All processing operations take one cycle to complete. For all floating-point operations, the processor takes two cycles to complete in case of data dependency. Double-precision floating-point data take two to six cycles to complete. The processor stalls for the appropriate number of cycles for an interlocked pipeline plus data dependency check.

## **Core Timer**

Each SHARC+ processor core also has a timer. This extra timer is clocked by the internal processor clock and is typically used as a system tick clock for generating periodic operating system interrupts.

## **Data Register File**

Each processing element contains a general-purpose data register file. The register files transfer data between the computation units and the data buses, and store intermediate results. These 10-port, 32-register register files (16 primary, 16 secondary), combined with the enhanced Harvard architecture of the processor, allow unconstrained data flow between computation units and internal memory. The registers in the PEx data register file are referred to as R0–R15 and in the PEy data register file as S0–S15.

## **Context Switch**

Many of the registers of the processor have secondary registers that can activate during interrupt servicing for a fast context switch. The data, DAG, and multiplier result registers have secondary registers. The primary registers are active at reset, while control bits in MODE1 activate the secondary registers.

## **Universal Registers**

General-purpose tasks use the universal registers. The four USTAT registers allow easy bit manipulations (set, clear, toggle, test, XOR) for all control and status peripheral registers.

The data bus exchange register (PX) permits data to pass between the 64-bit PM data bus and the 64-bit DM data bus or between the 40-bit register file and the PM or DM data bus. These registers contain hardware to handle the data width difference.

## **Data Address Generators (DAG) With Zero-Overhead Hardware Circular Buffer Support**

For indirect addressing and implementing circular data buffers in hardware, the ADSP-SC57x/ADSP-2157x processor uses the two data address generators (DAGs). Circular buffers allow efficient programming of delay lines and other data structures required in digital signal processing, and are commonly used in digital filters and fast Fourier transforms (FFT). The two DAGs of the processors contain sufficient registers to allow the creation of up to 32 circular buffers (16 primary register sets and 16 secondary sets). The DAGs automatically handle address pointer wraparound, reduce overhead, increase performance, and simplify implementation. Circular buffers can start and end at any memory location.

## **Flexible Instruction Set Architecture (ISA)**

The flexible instruction set architecture (ISA), a 48-bit instruction word, accommodates various parallel operations for concise programming. For example, the processors can conditionally execute a multiply, an add, and a subtract in both processing elements while branching and fetching up to four 32-bit values from memory—all in a single instruction. Additionally, the double-precision floating-point instruction set is an addition to the SHARC+ core.

# ADSP-SC570/SC571/SC572/SC573/ADSP-21571/21573

## **Variable Instruction Set Architecture (VISA)**

In addition to supporting the standard 48-bit instructions from previous SHARC processors, the SHARC+ core processors support 16-bit and 32-bit opcodes for many instructions, formerly 48-bit in the ISA. This feature, called variable instruction set architecture (VISA), drops redundant or unused bits within the 48-bit instruction to create more efficient and compact code. The program sequencer supports fetching these 16-bit and 32-bit instructions from both internal and external memories. VISA is not an operating mode; it is only address dependent (refer to memory map ISA/VISA address spaces in [Table 7](#)). Furthermore, it allows jumps between ISA and VISA instruction fetches.

## **Single-Cycle Fetch of Instructional Four Operands**

The ADSP-SC57x/ADSP-2157x processors feature an enhanced Harvard architecture in which the DM bus transfers data and PM bus transfers both instructions and data.

With the separate program memory bus, data memory buses, and on-chip instruction conflict cache, the processor can simultaneously fetch four operands (two over each data bus) and one instruction from the conflict cache, in a single cycle.

## **Core Event Controller (CEC)**

The SHARC+ core generates various core interrupts (including arithmetic and circular buffer instruction flow exceptions) and SEC events (debug or monitor and software). The core event controller (CEC) is used to unmask interrupts for core processing (enabled in the IMASK register).

## **Instruction Conflict Cache**

The processors include a 32-entry instruction cache that enables three-bus operation for fetching an instruction and four data values. The cache is selective—only the instructions that require fetches conflict with the PM bus data accesses cache. This cache allows full speed execution of core, looped operations, such as digital filter multiply accumulates, and FFT butterfly processing. The conflict cache serves for on-chip bus conflicts only.

## **Branch Target Buffer (BTB)/Branch Predictor (BP)**

Implementation of a hardware-based branch predictor (BP) and branch target buffer (BTB) reduce branch delay. The program sequencer supports efficient branching using the BTB for conditional and unconditional instructions.

## **Addressing Spaces**

In addition to traditionally supported long word, normal word, extended precision word, and short word addressing aliases, the processors support byte addressing for the data and instruction accesses. The enhanced ISA/VISA provides new instructions for accessing all sizes of data from byte space as well as converting word addresses to byte and byte to word addresses.

## **Additional Features**

The enhanced ISA/VISA of the ADSP-SC57x/ADSP-2157x processors provides a memory barrier instruction for data synchronization, exclusive data access support for multicore

data sharing, and exclusive data access to enable multiprocessor programming. To enhance the reliability of the application, L1 data RAMs support parity error detection logic for every byte. Additionally, the processors detect illegal opcodes. Core interrupts flag both errors. Master ports of the core also detect for failed external accesses.

## **SYSTEM INFRASTRUCTURE**

The following sections describe the system infrastructure of the ADSP-SC57x/ADSP-2157x processors.

### **System L2 Memory**

A system L2 SRAM memory of 8 Mb (1 MB) is available to both SHARC+ cores, the ARM Cortex-A5 core, and the system DMA channels (see [Table 5](#)). The L2 SRAM block is subdivided into eight banks to support concurrent access to the L2 memory ports. Memory accesses to the L2 memory space are multicycle accesses by both the ARM Cortex-A5 and SHARC+ cores.

The memory space is used for various situations including

- ARM Cortex-A5 to SHARC+ core data sharing and inter-core communications
- Accelerator and peripheral sources and destination memory to avoid accessing data in the external memory
- A location for DMA descriptors
- Storage for additional data for either the ARM Cortex-A5 or SHARC+ cores to avoid external memory latencies and reduce external memory bandwidth
- Storage for incoming Ethernet traffic to improve performance
- Storage for data coefficient tables cached by the SHARC+ core

See [System Memory Protection Unit \(SMPU\)](#) section for options in limiting access by specific cores and DMA masters.

The ARM Cortex-A5 core has an L1 instruction and data cache, each of which is 32 kB in size. The core also has an L2 cache controller of 256 kB. When enabling the caches, accesses to all other memory spaces (internal and external) go through the cache.

### **SHARC+ Core L1 Memory in Multiprocessor Space**

The ARM Cortex-A5 core can access the L1 memory of the SHARC+ core. See [Table 6](#) for the L1 memory address in multiprocessor space. The SHARC+ core can access the L1 memory of the other SHARC+ core in the multiprocessor space.

### **One Time Programmable Memory (OTP)**

The processors feature 7 Kb of one time programmable (OTP) memory which is memory map accessible. This memory can be programmed with custom keys and it supports secure boot and secure operation.

### **I/O Memory Space**

Mapped I/Os include SPI2 memory address space (see [Table 7](#)).

# ADSP-SC570/SC571/SC572/SC573/ADSP-21571/21573

## SYSTEM MEMORY MAP

Table 4. L1 Block 0, Block 1, Block 2, and Block 3 SHARC+® Addressing Memory Map (Private Address Space)

| Memory                   | Long Word (64 Bits)   | Extended Precision/ISA Code (48 Bits) | Normal Word (32 Bits) | Short Word/VISA Code (16 Bits) | Byte Access (8 Bits)  |
|--------------------------|-----------------------|---------------------------------------|-----------------------|--------------------------------|-----------------------|
| L1 Block 0 SRAM (1 Mb)   | 0x00048000–0x0004BFFF | 0x00090000–0x00095554                 | 0x00090000–0x00097FFF | 0x00120000–0x0012FFFF          | 0x00240000–0x0025FFFF |
| L1 Block 1 SRAM (1 Mb)   | 0x00058000–0x0005BFFF | 0x000B0000–0x000B5554                 | 0x000B0000–0x000B7FFF | 0x00160000–0x0016FFFF          | 0x002C0000–0x002DFFFF |
| L1 Block 2 SRAM (0.5 Mb) | 0x00060000–0x00061FFF | 0x000C0000–0x000C2AA9                 | 0x000C0000–0x000C3FFF | 0x00180000–0x00187FFF          | 0x00300000–0x0030FFFF |
| L1 Block 3 SRAM (0.5 Mb) | 0x00070000–0x00071FFF | 0x000E0000–0x000E2AA9                 | 0x000E0000–0x000E3FFF | 0x001C0000–0x001C7FFF          | 0x00380000–0x0038FFFF |

Table 5. L2 Memory Addressing Map

| Memory <sup>1</sup>       | Byte Address Space<br>ARM Cortex-A5—Data Access<br>and Instruction Fetch<br>SHARC+—Data Access | Normal Word Address Space<br>SHARC+ Data Access | VISA Address Space<br>SHARC+ Instruction Fetch | ISA Address Space<br>SHARC+ Instruction Fetch |
|---------------------------|--|---|--|---|
| L2 Boot ROM0 <sup>2</sup> | ARM: 0x00000000–0x00007FFF<br>SHARC/DMA: 0x20100000–0x20107FFF                                 | 0x08040000–0x08041FFF                           | 0x00B20000–0x00B23FFF                          | 0x00580000–0x00581555                         |
| L2 RAM (8 Mb)             | 0x20000000–0x200FFFFFF   | 0x08000000–0x0803FFFF                           | 0x00B80000–0x00BFFFFF                          | 0x005C0000–0x005EAAAA                         |
| L2 Boot ROM1              | 0x20108000–0x2010FFFF  | 0x08042000–0x08043FFF                           | 0x00B00000–0x00B03FFF                          | 0x00500000–0x00501555                         |
| L2 Boot ROM2 <sup>3</sup> | 0x20110000–0x20117FFF  | 0x08044000–0x08045FFF                           | 0x00B40000–0x00B43FFF                          | 0x00540000–0x00541555                         |

<sup>1</sup> All L2 RAM blocks are subdivided into eight banks.

<sup>2</sup> For ADSP-SC57x products, the L2 Boot ROM0 byte address space is 0x00000000–0x00007FFF.

<sup>3</sup> L2 Boot ROM address for ADSP-2157x products.

Table 6. SHARC+® L1 Memory in Multiprocessor Space

|   |                         | Memory Block | Byte Address Space<br>ARM Cortex-A5 and SHARC+ | Normal Word Address Space<br>SHARC+ |
|---|-------------------------|--------------|--|-------------------------------------|
| L1 memory of SHARC1 in multiprocessor space | Address via Slave1 Port | Block 0      | 0x28240000–0x2825FFFF                          | 0x0A090000–0x0A097FFF               |
|   |                         | Block 1      | 0x282C0000–0x282DFFFF                          | 0x0A0B0000–0x0A0B7FFF               |
|   |                         | Block 2      | 0x28300000–0x2830FFFF                          | 0x0A0C0000–0x0A0C3FFF               |
|   |                         | Block 3      | 0x28380000–0x2838FFFF                          | 0x0A0E0000–0x0A0E3FFF               |
| L1 memory of SHARC2 in multiprocessor space | Address via Slave1 Port | Block 0      | 0x28A40000–0x28A5FFFF                          | 0x0A290000–0x0A297FFF               |
|   |                         | Block 1      | 0x28AC0000–0x28ADFFFF                          | 0x0A2B0000–0x0A2B7FFF               |
|   |                         | Block 2      | 0x28B00000–0x28B0FFFF                          | 0x0A2C0000–0x0A2C3FFF               |
|   |                         | Block 3      | 0x28B80000–0x28B8FFFF                          | 0x0A2E0000–0x0A2E3FFF               |

Table 7. Memory Map of Mapped I/Os<sup>1</sup>

|                      | Byte Address Space<br>ARM Cortex-A5—Data Access<br>and Instruction Fetch<br>SHARC+—Data Access | Normal Word Address Space<br>SHARC+ Data Access | VISA Address Space<br>SHARC+ Instruction Fetch | ISA Address Space<br>SHARC+ Instruction Fetch |
|----------------------|--|---|--|---|
| SPI2 Memory (512 MB) | 0x60000000–0x600FFFFFF   | 0x04000000–0x07FFFFFFF                          | 0x00F80000–0x00FFFFFFF                         | 0x00780000–0x007FFFFFFF                       |
|                      | 0x60100000–0x602FFFFFF   |   | Not applicable                                 |   |
|                      | 0x60300000–0x6FFFFFFF  | Not applicable                                  | Not applicable                                 | Not applicable                                |
|                      | 0x70000000–0x7FFFFFFF  |   | Not applicable                                 | Not applicable                                |

<sup>1</sup> The ARM Cortex-A5 can access the entire byte address space. The SHARC+ VISA/ISA address space for instruction fetch and the normal word address space for data access do not cover the entire byte address space.

# ADSP-SC570/SC571/SC572/SC573/ADSP-21571/21573

Table 8. DMC Memory Map<sup>1</sup>

|             | Byte Address Space<br>ARM Cortex-A5—Data Access<br>and Instruction Fetch<br>SHARC+—Data Access | Normal Word Address Space<br>SHARC+ Data Access | VISA Address Space<br>SHARC+ Instruction Fetch | ISA Address Space<br>SHARC+ Instruction Fetch |
|-------------|--|---|--|---|
| DMC0 (1 GB) | 0x80000000–0x805FFFFFF   | 0x10000000–0x17FFFFFF                           | Not applicable                                 | 0x00400000–0x004FFFFFF                        |
|             | 0x80600000–0x809FFFFFF   |   | Not applicable                                 | Not applicable                                |
|             | 0x80A00000–0x80FFFFFF  |   | 0x00800000–0x00AFFFFFF                         | Not applicable                                |
|             | 0x81000000–0x9FFFFFFF  |   | Not applicable                                 | Not applicable                                |
|             | 0xA0000000–0xBFFFFFFF  | Not applicable                                  | Not applicable                                 | Not applicable                                |

<sup>1</sup>The ARM Cortex-A5 can access the entire byte address space. The SHARC+ VISA/ISA address space for instruction fetch and the normal word address space for data access do not cover the entire byte address space.

## System Crossbars (SCBs)

The system crossbars (SCBs) are the fundamental building blocks of a switch fabric style for on-chip system bus interconnection. The SCBs connect system bus masters to system bus slaves, providing concurrent data transfer between multiple bus masters and multiple bus slaves. A hierarchical model—built from multiple SCBs—provides a power and area efficient system interconnection.

The SCBs provide the following features:

- Highly efficient, pipelined bus transfer protocol for sustained throughput
- Full-duplex bus operation for flexibility and reduced latency
- Concurrent bus transfer support to allow multiple bus masters to access bus slaves simultaneously
- Protection model (privileged/secure) support for selective bus interconnect protection

## Direct Memory Access (DMA)

The processors use direct memory access (DMA) to transfer data within memory spaces or between a memory space and a peripheral. The processors can specify data transfer operations and return to normal processing while the fully integrated DMA controller carries out the data transfers independent of processor activity.

DMA transfers can occur between memory and a peripheral or between one memory and another memory. Each memory to memory DMA stream uses two channels: the source channel and the destination channel.

All DMA channels can transport data to and from all on-chip and off-chip memories. Programs can use two types of DMA transfers: descriptor-based or register-based. Register-based DMA allows the processors to program DMA control registers directly to initiate a DMA transfer. On completion, the DMA control registers automatically update with original setup values for continuous transfer. Descriptor-based DMA transfers require a set of parameters stored within memory to initiate a DMA sequence. Descriptor-based DMA transfers allow multiple DMA sequences to be chained together. Program a DMA channel to set up and start another DMA transfer automatically after the current sequence completes.

The DMA engine supports the following DMA operations:

- A single linear buffer that stops on completion
- A linear buffer with negative, positive, or zero stride length
- A circular autorefreshing buffer that interrupts when each buffer becomes full
- A similar circular buffer that interrupts on fractional buffers, such as at the halfway point
- The 1D DMA uses a set of identical ping pong buffers defined by a linked ring of two-word descriptor sets, each containing a link pointer and an address
- The 1D DMA uses a linked list of four-word descriptor sets containing a link pointer, an address, a length, and a configuration
- The 2D DMA uses an array of one-word descriptor sets, specifying only the base DMA address
- The 2D DMA uses a linked list of multiword descriptor sets, specifying all configurable parameters

## Memory Direct Memory Access (MDMA)

The processor supports various memory direct memory access (MDMA) operations, including,

- Enhanced bandwidth MDMA channels with CRC protection (32-bit bus width, run on SYSCLK)
- Enhanced bandwidth MDMA channel (32-bit bus width, runs on SYSCLK)
- Maximum bandwidth MDMA channel (64-bit bus width, runs on SYCLK)

## Extended Memory DMA

Extended memory DMA supports various operating modes, such as delay line (which allows processor reads and writes to external delay line buffers and to the external memory), with limited core interaction and scatter/gather DMA (writes to and from noncontiguous memory blocks).

## Cyclic Redundant Code (CRC) Protection

The cyclic redundant codes (CRC) protection modules allow system software to calculate the signature of code, data, or both in memory, the content of memory-mapped registers, or

periodic communication message objects. Dedicated hardware circuitry compares the signature with precalculated values and triggers appropriate fault events.

For example, every 100 ms the system software initiates the signature calculation of the entire memory contents and compares these contents with expected, precalculated values. If a mismatch occurs, a fault condition is generated through the processor core or the trigger routing unit.

The CRC is a hardware module based on a CRC32 engine that computes the CRC value of the 32-bit data-words presented to it. The source channel of the memory to memory DMA (in memory scan mode) provides data. The data can be optionally forwarded to the destination channel (memory transfer mode). The main features of the CRC peripheral are as follows:

- Memory scan mode
- Memory transfer mode
- Data verify mode
- Data fill mode
- User-programmable CRC32 polynomial
- Bit and byte mirroring option (endianness)
- Fault and error interrupt mechanisms
- 1D and 2D fill block to initialize an array with constants
- 32-bit CRC signature of a block of a memory or an MMR block

## Event Handling

The processors provide event handling that supports both nesting and prioritization. Nesting allows multiple event service routines to be active simultaneously. Prioritization ensures that servicing a higher priority event takes precedence over servicing a lower priority event.

The processors provide support for four different types of events:

- An emulation event causes the processors to enter emulation mode, allowing command and control of the processors through the JTAG interface.
- A reset event resets the processors.
- An exceptions event occurs synchronously to program flow (in other words, the exception is taken before the instruction is allowed to complete). Conditions triggered on the one side by the SHARC+ core, such as data alignment (SIMD or long word) or compute violations (fixed or floating point), and illegal instructions cause core exceptions. Conditions triggered on the other side by the SEC, such as error correcting codes (ECC), parity, watchdog, or system clock, cause system exceptions.
- An interrupts event occurs asynchronously to program flow. They are caused by input signals, timers, and other peripherals, as well as by an explicit software instruction.

## System Event Controller (SEC)

Both SHARC+ cores feature a system event controller. The SEC features include the following:

- Comprehensive system event source management, including interrupt enable, fault enable, priority, core mapping, and source grouping
- A distributed programming model where each system event source control and all status fields are independent of each other
- Determinism where all system events have the same propagation delay and provide unique identification of a specific system event source
- A slave control port that provides access to all SEC registers for configuration, status, and interrupt and fault services
- Global locking that supports a register level protection model to prevent writes to locked registers
- Fault management including fault action configuration, time out, external indication, and system reset

## Trigger Routing Unit (TRU)

The trigger routing unit (TRU) provides system level sequence control without core intervention. The TRU maps trigger masters (generators of triggers) to trigger slaves (receivers of triggers). Slave endpoints can be configured to respond to triggers in various ways. Common applications enabled by the TRU include,

- Automatically triggering the start of a DMA sequence after a sequence from another DMA channel completes
- Software triggering
- Synchronization of concurrent activities

## SECURITY FEATURES

The following sections describe the security features of the ADSP-SC57x/ADSP-2157x processors.

### ARM TrustZone

The ADSP-SC57x processors provide TrustZone technology that is integrated into the ARM Cortex-A5 processors. The TrustZone technology enables a secure state that is extended throughout the system fabric.

### Cryptographic Hardware Accelerators

The ADSP-SC57x/ADSP-2157x processors support standards-based hardware accelerated encryption, decryption, authentication, and true random number generation.

Support for the hardware accelerated cryptographic ciphers includes the following:

- AES in ECB, CBC, ICM, and CTR modes with 128-bit, 192-bit, and 256-bit keys
- DES in ECB and CBC mode with 56-bit key
- 3DES in ECB and CBC mode with 3x 56-bit key
- ARC4 in stateful, stateless mode, up to 128-bit key

# ADSP-SC570/SC571/SC572/SC573/ADSP-21571/21573

Support for the hardware accelerated hash functions includes the following:

- SHA-1
- SHA-2 with 224-bit and 256-bit digests
- HMAC transforms for SHA-1 and SHA-2
- MD5

Public key accelerator (PKA) is available to offload computation intensive public key cryptography operations.

Both a hardware-based nondeterministic random number generator and pseudorandom number generator are available.

Secure boot is also available with 224-bit elliptic curve digital signatures ensuring integrity and authenticity of the boot stream. Optionally, ensuring confidentiality through AES-128 encryption is available.

Employ secure debug to allow only trusted users to access the system with debug tools.



## CAUTION

This product includes security features that can be used to protect embedded nonvolatile memory contents and prevent execution of unauthorized code. When security is enabled on this device (either by the ordering party or the subsequent receiving parties), the ability of Analog Devices to conduct failure analysis on returned devices is limited. Contact Analog Devices for details on the failure analysis limitations for this device.

## System Protection Unit (SPU)

The system protection unit (SPU) guards against accidental or unwanted access to an MMR space of the peripheral by providing a write protection mechanism. The user can choose and configure the protected peripherals as well as configure which of the four system MMR masters (two SHARC+ cores, memory DMA, and CoreSight debug) the peripherals are guarded against.

The SPU is also part of the security infrastructure. Along with providing write protection functionality, the SPU is employed to define which resources in the system are secure or nonsecure as well as block access to secure resources from nonsecure masters.

## System Memory Protection Unit (SMPU)

The system memory protection unit (SMPU) provides memory protection against read and/or write transactions to defined regions of memory. There are SMPU units in the ADSP-SC57x/ADSP-2157x processors for each memory space, except for SHARC L1 and SPI direct memory slave.

The SMPU is also part of the security infrastructure. It allows the user to protect against arbitrary read and/or write transactions and allows regions of memory to be defined as secure and prevent nonsecure masters from accessing those memory regions.

## SECURITY FEATURES DISCLAIMER

To our knowledge, the Security Features, when used in accordance with the data sheet and hardware reference manual specifications, provide a secure method of implementing code and data safeguards. However, Analog Devices does not guarantee that this technology provides absolute security.

ACCORDINGLY, ANALOG DEVICES HEREBY DISCLAIMS ANY AND ALL EXPRESS AND IMPLIED WARRANTIES THAT THE SECURITY FEATURES CANNOT BE BREACHED, COMPROMISED, OR OTHERWISE CIRCUMVENTED AND IN NO EVENT SHALL ANALOG DEVICES BE LIABLE FOR ANY LOSS, DAMAGE, DESTRUCTION, OR RELEASE OF DATA, INFORMATION, PHYSICAL PROPERTY, OR INTELLECTUAL PROPERTY.

## SAFETY FEATURES

The ADSP-SC57x/ADSP-2157x processors are designed to support functional safety applications. While the level of safety is mainly dominated by the system concept, the following primitives are provided by the processors to build a robust safety concept.

### Multiparity Bit Protected SHARC+ Core L1 Memories

In the SHARC+ core L1 memory space, whether SRAM or cache, multiple parity bits protect each word to detect the single event upsets that occur in all RAMs. Parity also protects the cache tags and BTB.

### Parity Protected ARM L1 Cache

In the ARM Cortex-A5 L1 cache space, each word is protected by multiple parity bits to detect the single event upsets that occur in all RAMs. Parity also protects the cache tags.

### Error Correcting Codes (ECC) Protected L2 Memories

Error correcting codes (ECC) correct single event upsets. A single error correct/double error detect (SEC/DED) code protects the L2 memory. By default, ECC is enabled, but it can be disabled on a per bank basis. Single-bit errors correct transparently. If enabled, dual-bit errors can issue a system event or fault. ECC protection is fully transparent to the user, even if L2 memory is read or written by 8-bit or 16-bit entities.

### Parity-Protected Peripheral Memories

Parity protection is added to all peripheral memories:

- ASRC
- IIR
- FIR
- USB
- CAN
- CRYPTO
- EMAC
- SDIO
- MLB
- TRACE

## Cyclic Redundant Code (CRC) Protected Memories

While parity bit and ECC protection mainly protect against random soft errors in L1 and L2 memory cells, the cyclic redundant code (CRC) engines can protect against systematic errors (pointer errors) and static content (instruction code) of L1, L2, and even Level 3 (L3) memories (DDR2, LPDDR). The processors feature two CRC engines that are embedded in the memory to memory DMA controllers.

CRC checksums can be calculated or compared automatically during memory transfers, or one or multiple memory regions can be continuously scrubbed by a single DMA work unit as per DMA descriptor chain instructions. The CRC engine also protects data loaded during the boot process.

## Signal Watchdogs

The eight general-purpose (GP) timers feature modes to monitor off-chip signals. The watchdog period mode monitors whether external signals toggle with a period within an expected range.

The watchdog width mode monitors whether the pulse widths of external signals are within an expected range. Both modes help detect undesired toggling or lack of toggling of system level signals.

## System Event Controller (SEC)

Besides system events, the system event controller (SEC) further supports fault management including fault action configuration as timeout, internal indication by system interrupt, or external indication through the `SYS_FAULT` pin and system reset.

## Memory Error Controller (MEC)

The memory error controller (MEC) manages memory parity/ECC errors and warnings from the cores and peripherals and sends out interrupts and triggers.

## PROCESSOR PERIPHERALS

The following sections describe the peripherals of the ADSP-SC57x/ADSP-2157x processors.

### Dynamic Memory Controller (DMC)

The 16-bit dynamic memory controller (DMC) interfaces to

- LPDDR1 (JESD209A) maximum frequency 200 MHz, DDRCLK (64 Mb to 2 Gb)
- DDR2 (JESD79-2E) maximum frequency 400 MHz, DDRCLK (256 Mb to 4 Gb)
- DDR3 (JESD79-3E) maximum frequency 450 MHz, DDRCLK (512 Mb to 8 Gb)
- DDR3L (1.5 V compatible only) maximum frequency 450 MHz, DDRCLK (512 Mb to 8 Gb)

See [Table 8](#) for the DMC memory map.

### Digital Audio Interface (DAI)

The processors support one mirrored digital audio interface (DAI) unit. The DAI can connect various peripherals to any of the DAI pins (DAI\_PIN20–DAI\_PIN01).

The application code makes these connections using the signal routing unit (SRU), shown in [Figure 1](#).

The SRU is a matrix routing unit (or group of multiplexers) that enables the peripherals provided by the DAI to interconnect under software control. This functionality allows easy use of the DAI associated peripherals for a wider variety of applications by using a larger set of algorithms than is possible with nonconfigurable signal paths.

The DAI includes the peripherals described in the following sections (SPORTs, ASRC, S/PDIF, and PCG). DAI Pin Buffers 20 and 19 can change the polarity of the input signals. Most signals of the peripherals belonging to different DAIs cannot be interconnected, with few exceptions.

The DAI\_PINx pin buffers can also be used as GPIO pins. DAI input signals allow the triggering of interrupts on the rising edge, falling edge, or both.

See the Digital Audio Interface (DAI) chapter of the [ADSP-SC57x/ADSP-2157x SHARC+ Processor Hardware Reference](#) for complete information on the use of the DAIs and SRUs.

### Serial Port (SPORT)

The processors feature four synchronous full serial ports (SPORTs). These ports provide an inexpensive interface to a wide variety of digital and mixed-signal peripheral devices. These devices include Analog Devices AD19xx and ADAU19xx family of audio codecs, analog-to-digital converters (ADCs) and digital-to-analog converters (DACs). Two data lines, a clock, and frame sync make up the serial ports. The data lines can be programmed to either transmit or receive data and each data line has a dedicated DMA channel.

An individual full SPORT module consists of two independently configurable SPORT halves with identical functionality. Two bidirectional data lines—primary (0) and secondary (1)—are available per SPORT half and are configurable as either transmitters or receivers. Therefore, each SPORT half permits two unidirectional streams into or out of the same SPORT. This bidirectional functionality provides greater flexibility for serial communications. For full-duplex configuration, one half SPORT provides two transmit signals, while the other half SPORT provides the two receive signals. The frame sync and clock are shared.

Serial ports operate in the following six modes:

- Standard DSP serial mode
- Multichannel time division multiplexing (TDM) mode
- I<sup>2</sup>S mode
- Packed I<sup>2</sup>S mode
- Left justified mode
- Right justified mode

### Asynchronous Sample Rate Converter (ASRC)

The asynchronous sample rate converter (ASRC) contains four ASRC blocks. It is the same core in the [AD1896](#) 192 kHz stereo asynchronous sample rate converter. The ASRC provides up to 140 dB signal-to-noise ratio (SNR). The ASRC block performs

# ADSP-SC570/SC571/SC572/SC573/ADSP-21571/21573

synchronous or asynchronous sample rate conversion across independent stereo channels, without using internal processor resources. The ASRC blocks can also be configured to operate together to convert multichannel audio data without phase mismatches. Finally, the ASRC can clean up audio data from jittery clock sources such as the S/PDIF receiver.

## ***S/PDIF-Compatible Digital Audio Receiver/Transmitter***

The Sony/Philips Digital Interface Format (S/PDIF) is a standard audio data transfer format that allows the transfer of digital audio signals from one device to another without converting them to an analog signal. There is one S/PDIF transmit/receive block on the processor. The digital audio interface carries three types of information: audio data, nonaudio data (compressed data), and timing information.

The S/PDIF interface supports one stereo channel or compressed audio streams. The S/PDIF transmitter and receiver are AES3 compliant and support the sample rate from 24 KHz to 192 KHz. The S/PDIF receiver supports professional jitter standards.

The S/PDIF receiver/transmitter has no separate DMA channels. It receives audio data in serial format and converts it into a biphasic encoded signal. The serial data input to the receiver/transmitter can be formatted as left justified, I<sup>2</sup>S, or right justified with word widths of 16, 18, 20, or 24 bits. The serial data, clock, and frame sync inputs to the S/PDIF receiver/transmitter are routed through the signal routing unit (SRU). They can come from various sources, such as the SPORTs, external pins, and the precision clock generators (PCGs), and are controlled by the SRU control registers.

## ***Precision Clock Generators (PCG)***

The precision clock generators (PCG) consist of two units located in the DAI block. The PCG can generate a pair of signals (clock and frame sync) derived from a clock input signal (CLKIN, SCLK0, or DAI pin buffer). Both units are identical in functionality and operate independently of each other. The two signals generated by each unit are normally used as a serial bit clock/frame sync pair.

## ***Enhanced Parallel Peripheral Interface (EPPI)***

The processors provide an enhanced parallel peripheral interface (EPPI) that supports data widths up to 16 bits for the BGA package and 12 bits for the LQFP package. The EPPI supports direct connection to thin film transistor (TFT) LCD panels, parallel ADCs and DACs, video encoders and decoders, image sensor modules, and other general-purpose peripherals.

The features supported in the EPPI module include the following:

- Programmable data length of 8 bits, 10 bits, 12 bits, 14 bits, and 16 bits per clock.
- Various framed, nonframed, and general-purpose operating modes. Frame syncs can be generated internally or can be supplied by an external device.

- ITU-656 status word error detection and correction for ITU-656 receive modes and ITU-656 preamble and status word decoding.
- Optional packing and unpacking of data to/from 32 bits from/to 8 bits and 16 bits. If packing/unpacking is enabled, configure endianness to change the order of packing/unpacking of bytes or words.
- RGB888 can be converted to RGB666 or RGB565 for transmit modes.
- Various deinterleaving/interleaving modes for receiving or transmitting 4:2:2 YCrCb data.
- Configurable LCD data enable output available on Frame Sync 3.

## ***Universal Asynchronous Receiver/Transmitter (UART) Ports***

The processors provide three full-duplex universal asynchronous receiver/transmitter (UART) ports, fully compatible with PC standard UARTs. Each UART port provides a simplified UART interface to other peripherals or hosts, supporting full-duplex, DMA supported, asynchronous transfers of serial data. A UART port includes support for five to eight data bits as well as no parity, even parity, or odd parity.

Optionally, an additional address bit can be transferred to interrupt only addressed nodes in multidrop bus (MDB) systems. A frame is terminated by a configurable number of stop bits.

The UART ports support automatic hardware flow control through the clear to send (CTS) input and request to send (RTS) output with programmable assertion first in, first out (FIFO) levels.

To help support the Local Interconnect Network (LIN) protocols, a special command causes the transmitter to queue a break command of programmable bit length into the transmit buffer. Similarly, the number of stop bits can be extended by a programmable interframe space.

## ***Serial Peripheral Interface (SPI) Ports***

The processors have three industry-standard SPI-compatible ports that allow the processors to communicate with multiple SPI-compatible devices.

The baseline SPI peripheral is a synchronous, 4-wire interface consisting of two data pins, one device select pin, and a gated clock pin. The two data pins allow full-duplex operation to other SPI-compatible devices. An extra two (optional) data pins are provided to support quad-SPI operation. Enhanced modes of operation, such as flow control, fast mode, and dual-I/O mode (DIOM), are also supported. DMA mode allows for transferring several words with minimal central processing unit (CPU) interaction.

With a range of configurable options, the SPI ports provide a glueless hardware interface with other SPI-compatible devices in master mode, slave mode, and multimaster environments. The SPI peripheral includes programmable baud rates, clock phase, and clock polarity. The peripheral can operate in a multimaster environment by interfacing with several other devices,



acting as either a master device or a slave device. In a multimas-  
ter environment, the SPI peripheral uses open-drain outputs to  
avoid data bus contention. The flow control features enable slow  
slave devices to interface with fast master devices by providing  
an SPI ready pin (SPI\_RDY) which flexibly controls the  
transfers.

The baud rate and clock phase and polarities of the SPI port are  
programmable. The port has integrated DMA channels for both  
transmit and receive data streams.

### **Link Port (LP)**

Two 8-bit wide link ports (LPs) for the BGA package (one link  
port for the LQFP package) can connect to the link ports of  
other DSPs or peripherals. Link ports are bidirectional and have  
eight data lines, an acknowledge line, and a clock line.

### **ADC Control Module (ACM) Interface**

The ADC control module (ACM) provides an interface that  
synchronizes the controls between the processors and an ADC.  
The analog-to-digital conversions are initiated by the proces-  
sors, based on external or internal events.

The ACM allows for flexible scheduling of sampling instants  
and provides precise sampling signals to the ADC.

The ACM synchronizes the ADC conversion process, generat-  
ing the ADC controls, the ADC conversion start signal, and  
other signals. The actual data acquisition from the ADC is done  
by an internal DAI routing of the ACM with the SPORT0 block.

The processors interface directly to many ADCs without any  
glue logic required.

### **Ethernet Media Access Controller (EMAC)**

The processor features an ethernet media access controller  
(EMAC): 10/100/1000 AVB Ethernet with precision time proto-  
col (IEEE 1588).

The processors can directly connect to a network through  
embedded fast EMAC that supports 10Base-T (10 Mb/sec),  
100Base-T (100 Mb/sec) and 1000Base-T (1 Gb/sec) operations.

Some standard features of the EMAC are as follows:

- Support and MII/RMII/RGMII protocols for external PHYs.
- RGMII support for the BGA package only
- Full-duplex and half-duplex modes
- Media access management (in half-duplex operation)
- Flow control
- Station management, including the generation of MDC/MDIO frames for read/write access to PHY registers

Some advanced features of the EMAC include the following:

- Automatic checksum computation of IP header and IP payload fields of receive frames
- Independent 32-bit descriptor driven receive and transmit DMA channels

- Frame status delivery to memory through DMA, including frame completion semaphores for efficient buffer queue management in software
- Transmit DMA support for separate descriptors for MAC header and payload fields to eliminate buffer copy operations
- Convenient frame alignment modes
- 47 MAC management statistics counters with selectable clear on read behavior and programmable interrupts on half maximum value
- Advanced power management
- Magic packet detection and wakeup frame filtering
- Support for 802.3Q tagged VLAN frames
- Programmable MDC clock rate and preamble suppression

### **Audio Video Bridging (AVB) Support**

The 10/100/1000 EMAC supports the following audio video bridging (AVB) features:

- Separate channels or queues for AV data transfer in 100 Mbps and 1000 Mbps modes)
- IEEE 802.1-Qav specified credit-based shaper (CBS) algo-  
rithm for the additional transmit channels
- Configuring up to two additional channels (Channel 1 and Channel 2) on the transmit and receive paths for AV traffic. Channel 0 is available by default and carries the legacy best effort Ethernet traffic on the transmit side.
- Separate DMA, transmit and receive FIFO for AVB latency class
- Programmable control to route received VLAN tagged non AV packets to channels or queues

### **Precision Time Protocol (PTP) IEEE 1588 Support**

The IEEE 1588 standard is a precision clock synchronization protocol for networked measurement and control systems. The processors include hardware support for IEEE 1588 with an integrated precision time protocol synchronization engine (PTP\_TSYNC).

This engine provides hardware assisted time stamping to improve the accuracy of clock synchronization between PTP nodes. The main features of the engine include the following:

- Support for both IEEE 1588-2002 and IEEE 1588-2008 proto-  
col standards
- Hardware assisted time stamping capable of up to 12.5 ns resolution
- Lock adjustment
- Automatic detection of IPv4 and IPv6 packets, as well as PTP messages
- Multiple input clock sources (SCLK0, RGMII, RMII, MII clock, and external clock)
- Programmable pulse per second (PPS) output
- Auxiliary snapshot to time stamp external events

# ADSP-SC570/SC571/SC572/SC573/ADSP-21571/21573

## **Controller Area Network (CAN)**

There are two controller area network (CAN) modules. A CAN controller implements the CAN 2.0B (active) protocol. This protocol is an asynchronous communications protocol used in both industrial and automotive control systems. The CAN protocol is well suited for control applications due to the capability to communicate reliably over a network. This is because the protocol incorporates CRC checking, message error tracking, and fault node confinement.

The CAN controller offers the following features:

- 32 mailboxes (8 receive only, 8 transmit only, 16 configurable for receive or transmit)
- Dedicated acceptance masks for each mailbox
- Additional data filtering on the first two bytes
- Support for both the standard (11-bit) and extended (29-bit) identifier (ID) message formats
- Support for remote frames
- Active or passive network support
- Interrupts, including transmit and receive complete, error, and global

An additional crystal is not required to supply the CAN clock because it is derived from a system clock through a programmable divider.

## **Timers**

The processors include several timers that are described in the following sections.

### **General-Purpose (GP) Timers (TIMER)**

There is one general-purpose (GP) timer unit, providing eight GP programmable timers. Each timer has an external pin that can be configured either as PWM or timer output, as an input to clock the timer, or as a mechanism for measuring pulse widths and periods of external events. These timers can be synchronized to an external clock input on the TM\_TMR[n] pins, an external TM\_CLK input pin, or to the internal SCLK0.

These timer units can be used in conjunction with the UARTs and the CAN controller to measure the width of the pulses in the data stream to provide a software autobaud detect function for the respective serial channels.

The GP timers can generate interrupts to the processor core, providing periodic events for synchronization to either the system clock or to external signals. Timer events can also trigger other peripherals via the TRU (for instance, to signal a fault). Each timer can also be started and/or stopped by any TRU master without core intervention.

### **Watchdog Timer (WDT)**

Three on-chip software watchdog timers (WDT) can be used by the ARM Cortex-A5 and/or SHARC+ cores. A software watchdog can improve system availability by forcing the processors to a known state, via a general-purpose interrupt, or a fault, if the timer expires before being reset by software.

The programmer initializes the count value of the timer, enables the appropriate interrupt, then enables the timer. Thereafter, the software must reload the counter before it counts down to zero from the programmed value, protecting the system from remaining in an unknown state where software that normally resets the timer stops running due to an external noise condition or software error.

### **General-Purpose Counters (CNT)**

A 32-bit counter (CNT) is provided that can operate in general-purpose up/down count modes and can sense 2-bit quadrature or binary codes as typically emitted by industrial drives or manual thumbwheels. Count direction is either controlled by a level-sensitive input pin or by two edge detectors.

A third counter input can provide flexible zero marker support and can input the push button signal of thumbwheel devices. All three CNT0 pins have a programmable debouncing circuit.

Internal signals forwarded to a GP timer enable the timer to measure the intervals between count events. Boundary registers enable auto-zero operation or simple system warning by interrupts when programmed count values are exceeded.

### **Housekeeping Analog-to-Digital Converter (HADAC)**

The housekeeping analog-to-digital converter (HADAC) provides a general-purpose, multichannel successive approximation ADC. It supports the following set of features:

- 12-bit ADC core with built in sample and hold.
- Eight single-ended input channels for the BGA package; four single-ended input channels for the LQFP package.
- Throughput rates up to 1 MSPS.
- Single external reference with analog inputs between 0 V and 3.3 V.
- Selectable ADC clock frequency including the ability to program a prescaler.
- Adaptable conversion type; allows single or continuous conversion with option of autoscan.
- Autosequencing capability with up to eight autoconversions in a single session. Each conversion can be programmed to select one to eight input channels.
- Six data registers (individually addressable) to store conversion values

### **USB 2.0 On the Go (OTG) Dual-Role Device Controller (BGA Only)**

The USB supports high speed/full speed/low speed (HS/FS/LS) USB2.0 on the go (OTG).

The USB 2.0 OTG dual-role device controller provides a low cost connectivity solution in industrial applications, as well as consumer mobile devices such as cell phones, digital still cameras, and MP3 players. The USB 2.0 controller allows these devices to transfer data using a point to point USB connection without the need for a PC host. The module can operate in traditional USB peripheral only mode as well as the host mode presented in the OTG supplement to the USB 2.0 specification.

The USB clock is provided through a dedicated external crystal or crystal oscillator.

The USB OTG dual-role device controller includes a phase-locked loop (PLL) with programmable multipliers to generate the necessary internal clocking frequency for the USB.

## **Media Local Bus (MediaLB)**

The automotive model has a Microchip MediaLB (MLB) slave interface that allows the processors to function as a media local bus device. It includes support for both 3-pin and 6-pin media local bus protocols. The MLB 3-pin configuration supports speeds up to  $1024 \times FS$ . The MLB 6-pin configuration supports speed of  $2048 \times FS$ . The MLB also supports up to 64 logical channels with up to 468 bytes of data per MLB frame.

The MLB interface supports MOST25, MOST50, and MOST150 data rates and operates in slave mode only.

## **2-Wire Controller Interface (TWI)**

The processors include three 2-wire interface (TWI) modules that provide a simple exchange method of control data between multiple devices. The TWI module is compatible with the widely used I<sup>2</sup>C bus standard. The TWI module offers the capabilities of simultaneous master and slave operation and support for both 7-bit addressing and multimedia data arbitration. The TWI interface utilizes two pins for transferring clock (TWI\_SCL) and data (TWI\_SDA) and supports the protocol at speeds up to 400 kb/sec. The TWI interface pins are compatible with 5 V logic levels.

Additionally, the TWI module is fully compatible with serial camera control bus (SCCB) functionality for easier control of various CMOS camera sensor devices.

## **General-Purpose I/O (GPIO)**

Each general-purpose port pin can be individually controlled by manipulating the port control, status, and interrupt registers:

- GPIO direction control register specifies the direction of each individual GPIO pin as input or output.
- GPIO control and status registers have a write one to modify mechanism that allows any combination of individual GPIO pins to be modified in a single instruction, without affecting the level of any other GPIO pins.
- GPIO interrupt mask registers allow each individual GPIO pin to function as an interrupt to the processors. GPIO pins defined as inputs can be configured to generate hardware interrupts, while output pins can be triggered by software interrupts.
- GPIO interrupt sensitivity registers specify whether individual pins are level or edge sensitive and specify, if edge sensitive, whether the rising edge or both the rising and falling edges of the signal are significant.

## **Pin Interrupts**

Every port pin on the processors can request interrupts in either an edge sensitive or a level sensitive manner with programmable polarity. Interrupt functionality is decoupled from GPIO operation. Five system level interrupt channels (PINT0–PINT4) are

reserved for this purpose. Each of these interrupt channels can manage up to 32 interrupt pins. The assignment from pin to interrupt is not performed on a pin by pin basis. Rather, groups of eight pins (half ports) can be flexibly assigned to interrupt channels.

Every pin interrupt channel features a special set of 32-bit memory-mapped registers that enable half-port assignment and interrupt management. This includes masking, identification, and clearing of requests. These registers also enable access to the respective pin states and use of the interrupt latches, regardless of whether the interrupt is masked or not. Most control registers feature multiple MMR address entries to write one to set or write one to clear them individually.

## **Mobile Storage Interface (MSI)**

The mobile storage interface (MSI) controller acts as the host interface for multimedia cards (MMC), secure digital memory cards (SD), and secure digital input/output cards (SDIO). The MSI controller has the following features:

- Support for a single MMC, SD memory, and SDIO card
- Support for 1-bit and 4-bit SD modes
- Support for 1-bit, 4-bit, and 8-bit MMC modes
- Support for eMMC 4.3 embedded NAND flash devices
- An 11-signal external interface with clock, command, optional interrupt, and up to eight data lines
- Integrated DMA controller
- Card interface clock generation in the clock distribution unit (CDU)
- SDIO interrupt and read wait features

## **SYSTEM ACCELERATION**

The following sections describe the system acceleration blocks of the ADSP-SC57x/ADSP-2157x processors.

### **Finite Impulse Response (FIR) Accelerator**

The finite impulse response (FIR) accelerator consists of a 1024 word coefficient memory, a 1024 word deep delay line for the data, and four MAC units. A controller manages the accelerator. The FIR accelerator runs at the peripheral clock frequency. The FIR accelerator can access all memory spaces and can run concurrently with the other accelerators on the processor.

### **Infinite Impulse Response (IIR) Accelerator**

The infinite impulse response (IIR) accelerator consists of a 1440 word coefficient memory for storage of biquad coefficients, a data memory for storing the intermediate data, and one MAC unit. A controller manages the accelerator. The IIR accelerator runs at the peripheral clock frequency. The IIR accelerator can access all memory spaces and run concurrently with the other accelerators on the processor.

# ADSP-SC570/SC571/SC572/SC573/ADSP-21571/21573

## SYSTEM DESIGN

The following sections provide an introduction to system design features and power supply issues.

### Clock Management

The processors provide three operating modes, each with a different performance and power profile. Control of clocking to each of the processor peripherals reduces power consumption. The processors do not support any low power operation modes. Control of clocking to each of the processor peripherals can reduce the power consumption.

### Reset Control Unit (RCU)

Reset is the initial state of the whole processor, or the core, and is the result of a hardware or software triggered event. In this state, all control registers are set to default values and functional units are idle. Exiting a full system reset starts with the core ready to boot.

The reset control unit (RCU) controls how all the functional units enter and exit reset. Differences in functional requirements and clocking constraints define how reset signals are generated. Programs must guarantee that none of the reset functions put the system into an undefined state or causes resources to stall. This is particularly important when the core resets (programs must ensure that there is no pending system activity involving the core when it is reset).

From a system perspective, reset is defined by both the reset target and the reset source.

The reset target is defined as the following:

- System reset—all functional units except the RCU are set to default states.
- Hardware reset—all functional units are set to default states without exception. History is lost.
- Core only reset—affects the core only. When in reset state, the core is not accessed by any bus master.

The reset source is defined as the following:

- System reset—can be triggered by software (writing to the RCU\_CTL register) or by another functional unit such as the dynamic power management (DPM) unit or any of the SEC, TRU, or emulator inputs.
- Hardware reset—the  $\overline{\text{SYS\_HWRST}}$  input signal asserts active (pulled down).
- Core only reset—affects only the core. The core is not accessed by any bus master when in reset state.
- Trigger request (peripheral).

### Clock Generation Unit (CGU)

The ADSP-SC57x/ADSP-2157x processors support two independent PLLs. Each PLL is part of a clock generation unit (CGU); see Figure 7. Each CGU can be either driven externally by the same clock source or each can be driven by separate sources. This provides flexibility in determining the internal clocking frequencies for each clock domain.

Frequencies generated by each CGU are derived from a common multiplier with different divider values available for each output.

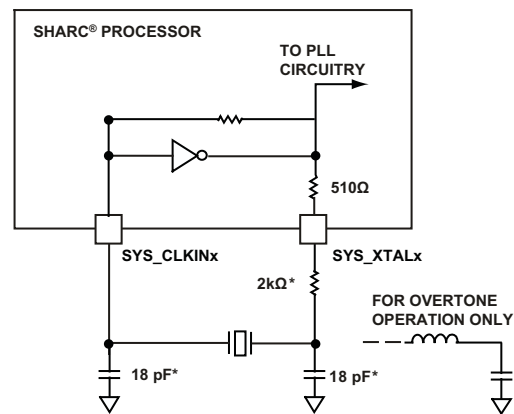
The CGU generates all on-chip clocks and synchronization signals. Multiplication factors are programmed to define the PLLCLK frequency.

Programmable values divide the PLLCLK frequency to generate the core clock (CCLK), the system clocks, the DDR1/DDR2/DDR3 clock (DCLK), and the output clock (OCLK). For more information on clocking, see the [ADSP-SC57x/ADSP-2157x SHARC+ Processor Hardware Reference](#).

Writing to the CGU control registers does not affect the behavior of the PLL immediately. Registers are first programmed with a new value and the PLL logic executes the changes so it transitions smoothly from the current conditions to the new conditions.

### System Crystal Oscillator and USB Crystal Oscillator

The processor can be clocked by an external crystal (see Figure 6), a sine wave input, or a buffered, shaped clock derived from an external clock oscillator. If using an external clock, it must be a TTL-compatible signal and must not be halted, changed, or operated below the specified frequency during normal operation. This signal is connected to the SYS\_CLKINx pin and the USB\_CLKIN pin of the processor. When using an external clock, the SYS\_XTALx pin and the USB\_XTAL pin must be left unconnected. Alternatively, because the processor includes an on-chip oscillator circuit, an external crystal can be used.



NOTE: VALUES MARKED WITH \* MUST BE CUSTOMIZED, DEPENDING ON THE CRYSTAL AND LAYOUT. ANALYZE CAREFULLY. FOR FREQUENCIES ABOVE 33 MHz, THE SUGGESTED CAPACITOR VALUE OF 18 pF MUST BE TREATED AS A MAXIMUM.

Figure 6. External Crystal Connection

For fundamental frequency operation, use the circuit shown in Figure 6. A parallel resonant, fundamental frequency, micro-processor grade crystal is connected across the SYS\_CLKINx pin and the SYS\_XTALx pin. The on-chip resistance between the SYS\_CLKINx pin and the SYS\_XTALx pin is in the 500 kΩ range. Further parallel resistors are typically not recommended.

# ADSP-SC570/SC571/SC572/SC573/ADSP-21571/21573

The two capacitors and the series resistor, shown in [Figure 6](#), fine tune phase and amplitude of the sine frequency. The capacitor and resistor values shown in [Figure 6](#) are typical values only. The capacitor values are dependent upon the load capacitance recommendations of the crystal manufacturer and the physical layout of the printed circuit board (PCB). The resistor value depends on the drive level specified by the crystal manufacturer. The user must verify the customized values based on careful investigations on multiple devices over the required temperature range.

A third overtone crystal can be used for frequencies above 25 MHz. The circuit is then modified to ensure crystal operation only at the third overtone by adding a tuned inductor circuit, shown in [Figure 6](#). A design procedure for third overtone operation is discussed in detail in “[Using Third Overtone Crystals with the ADSP-218x DSP](#)” (EE-168). The same recommendations can be used for the USB crystal oscillator.

## Clock Distribution Unit (CDU)

The two CGUs each provide outputs which feed a clock distribution unit (CDU). The clock outputs CLK00–CLK09 are connected to various targets. For more information, refer to the [ADSP-SC57x/ADSP-2157x SHARC+ Processor Hardware Reference](#).

## Power-Up

SYS\_XTALx oscillations (SYS\_CLKINx) start when power is applied to the VDD\_EXT pins. The rising edge of SYS\_HWRST starts on-chip PLL locking (PLL lock counter). The deassertion must apply only if all voltage supplies and SYS\_CLKINx oscillations are valid (refer to the [Power-Up Reset Timing](#) section).

## Clock Out/External Clock

The SYS\_CLKOUT output pin has programmable options to output divided-down versions of the on-chip clocks. By default, the SYS\_CLKOUT pin drives a buffered version of the SYS\_CLKIN0 input. Refer to the [ADSP-SC57x/ADSP-2157x SHARC+ Processor Hardware Reference](#) to change the default mapping of clocks.

## Bootling

The processors have several mechanisms for automatically loading internal and external memory after a reset. The boot mode is defined by the SYS\_BMODE[n] input pins. There are two categories of boot modes. In master boot mode, the processors actively load data from serial memories. In slave boot modes, the processors receive data from external host devices.

The boot modes are shown in [Table 9](#). These modes are implemented by the SYS\_BMODE[n] bits of the reset configuration register and are sampled during power-on resets and software initiated resets.

In the ADSP-SC57x processors, the ARM Cortex-A5 (Core 0) controls the boot process, including loading all internal and external memory. Likewise, in the ADSP-2157x processors, the SHARC+ (Core 1) controls the boot function. The option for secure boot is available on all models.

Table 9. Boot Modes

| SYS_BMODE[n] Setting <sup>1,2</sup> | Boot Mode   |
|-------------------------------------|-------------|
| 000                                 | No boot     |
| 001                                 | SPI2 master |
| 010                                 | SPI2 slave  |
| 011                                 | UART0 slave |
| 100                                 | Reserved    |
| 101                                 | Reserved    |
| 110                                 | Link0 slave |

<sup>1</sup>SYS\_BMODE2 pin is applicable only for the BGA package.

<sup>2</sup>Link0 slave boot is supported only on the BGA package.

## Thermal Monitoring Unit (TMU)

The thermal monitoring unit (TMU) provides on-chip temperature measurement for applications that require substantial power consumption. The TMU is integrated into the processor die and digital infrastructure using an MMR-based system access to measure the die temperature variations in real-time.

TMU features include the following:

- On-chip temperature sensing
- Programmable over temperature and under temperature limits
- Programmable conversion rate
- Programmable clock source selection to run the sensor off an independent local clock
- Averaging feature available

## Power Supplies

The processors have separate power supply connections for

- Internal (VDD\_INT)
- External (VDD\_EXT)
- USB (VDD\_USB)
- HADC/TMU (VDD\_HADC)
- DMC (VDD\_DMC)

All power supplies must meet the specifications provided in [Operating Conditions](#) section. All external supply pins must be connected to the same power supply.

## Power Management

As shown in [Table 10](#), the processors support four different power domains, which maximizes flexibility while maintaining compliance with industry standards and conventions. There are no sequencing requirements for the various power domains, but all domains must be powered according to the appropriate specifications (see the [Specifications](#) section for processor operating conditions). If the feature or the peripheral is not used, refer to [Table 25](#).

# ADSP-SC570/SC571/SC572/SC573/ADSP-21571/21573

Table 10. Power Domains

| Power Domain                                       | V <sub>DD</sub> Range |
|--|-----------------------|
| All internal logic                                 | V <sub>DD_INT</sub>   |
| DDR3/DDR2/LPDDR                                    | V <sub>DD_DMC</sub>   |
| USB  | V <sub>DD_USB</sub>   |
| HADC/TMU   | V <sub>DD_HADC</sub>  |
| All other I/O (includes SYS, JTAG, and ports pins) | V <sub>DD_EXT</sub>   |

The power dissipated by a processor is largely a function of the clock frequency and the square of the operating voltage. For example, reducing the clock frequency by 25% results in a 25% reduction in dynamic power dissipation.

### Target Board JTAG Emulator Connector

The Analog Devices DSP tools product line of JTAG emulators uses the IEEE 1149.1 JTAG test access port of the processors to monitor and control the target board processor during emulation. The Analog Devices DSP tools product line of JTAG emulators provides emulation at full processor speed, allowing inspection and modification of memory, registers, and processor stacks. The processor JTAG interface ensures the emulator does not affect target system loading or timing.

For information on JTAG emulator operation, see the appropriate emulator hardware user's guide at [SHARC Processors Software and Tools](#).

## SYSTEM DEBUG

The processors include various features that allow easy system debug. These are described in the following sections.

### System Watchpoint Unit (SWU)

The system watchpoint unit (SWU) is a single module that connects to a single system bus and provides transaction monitoring. One SWU is attached to the bus going to each system slave. The SWU provides ports for all system bus address channel signals. Each SWU contains four match groups of registers with associated hardware. These four SWU match groups operate independently but share common event (for example, interrupt and trigger) outputs.

### Debug Access Port (DAP)

Debug access port (DAP) provides IEEE 1149.1 JTAG interface support through the JTAG debug. The DAP provides an optional instrumentation trace for both the core and system. It provides a trace stream that conforms to *MIPI System Trace Protocol version 2 (STPv2)*.

## DEVELOPMENT TOOLS

Analog Devices supports its processors with a complete line of software and hardware development tools, including an integrated development environment (CrossCore<sup>®</sup> Embedded Studio), evaluation products, emulators, and a variety of software add ins.

### Integrated Development Environments (IDEs)

For C/C++ software writing and editing, code generation, and debug support, Analog Devices offers the CrossCore Embedded Studio integrated development environment (IDE).

CrossCore Embedded Studio is based on the Eclipse framework. Supporting most Analog Devices processor families, it is the IDE of choice for processors, including multicore devices.

CrossCore Embedded Studio seamlessly integrates available software add ins to support real time operating systems, file systems, TCP/IP stacks, USB stacks, algorithmic software modules, and evaluation hardware board support packages. For more information, visit [www.analog.com/cces](http://www.analog.com/cces).

### EZ-KIT Lite Evaluation Board

For processor evaluation, Analog Devices provides a wide range of EZ-KIT Lite<sup>®</sup> evaluation boards. Including the processor and key peripherals, the evaluation board also supports on-chip emulation capabilities and other evaluation and development features. Various EZ-Extenders<sup>®</sup> are also available, which are daughter cards that deliver additional specialized functionality, including audio and video processing. For more information visit [www.analog.com](http://www.analog.com).

### EZ-KIT Lite Evaluation Kits

For a cost-effective way to learn more about developing with Analog Devices processors, Analog Devices offer a range of EZ-KIT Lite evaluation kits. Each evaluation kit includes an EZ-KIT Lite evaluation board, directions for downloading an evaluation version of the available IDE(s), a USB cable, and a power supply. The USB controller on the EZ-KIT Lite board connects to the USB port of the user PC, enabling the chosen IDE evaluation suite to emulate the on-board processor in circuit. This permits users to download, execute, and debug programs for the EZ-KIT Lite system. It also supports in circuit programming of the on-board Flash<sup>®</sup> device to store user specific boot code, enabling standalone operation. With the full version of CrossCore Embedded Studio installed (sold separately), engineers can develop software for supported EZ-KITs or any custom system utilizing supported Analog Devices processors.

### Software Add Ins for CrossCore Embedded Studio

Analog Devices offers software add ins which seamlessly integrate with CrossCore Embedded Studio to extend the capabilities and reduce development time. Add ins include board support packages for evaluation hardware, various middleware packages, and algorithmic modules. Documentation, help, configuration dialogs, and coding examples present in these add ins are viewable through the CrossCore Embedded Studio IDE once the add in is installed.

# ADSP-SC570/SC571/SC572/SC573/ADSP-21571/21573

## **Board Support Packages (BSPs) for Evaluation Hardware**

Software support for the EZ-KIT Lite evaluation boards and EZ-Extender daughter cards is provided by software add ins called board support packages (BSPs). The BSPs contain the required drivers, pertinent release notes, and select example code for the given evaluation hardware. A download link for a specific BSP is located on the web page for the associated EZ-KIT or EZ-Extender product.

## **Middleware Packages**

Analog Devices offers middleware add ins such as real-time operating systems, file systems, USB stacks, and TCP/IP stacks. For more information, see the following web pages:

- [www.analog.com/ucos2](http://www.analog.com/ucos2)
- [www.analog.com/ucos3](http://www.analog.com/ucos3)
- [www.analog.com/ucfs](http://www.analog.com/ucfs)
- [www.analog.com/ucusb2](http://www.analog.com/ucusb2)
- [www.analog.com/ucusbh](http://www.analog.com/ucusbh)
- [www.analog.com/lwip](http://www.analog.com/lwip)

## **Algorithmic Modules**

To speed development, Analog Devices offers add ins that perform popular audio and video processing algorithms. These are available for use with CrossCore Embedded Studio. For more information visit [www.analog.com](http://www.analog.com).

## **Designing an Emulator-Compatible DSP Board (Target)**

For embedded system test and debug, Analog Devices provides a family of emulators. On each JTAG DSP, Analog Devices supplies an IEEE 1149.1 JTAG test access port (TAP). In circuit emulation is facilitated by use of this JTAG interface. The emulator accesses the internal features of the processor via the TAP, allowing the developer to load code, set breakpoints, and view variables, memory, and registers.

The processor must be halted to send data and commands, but once an operation is completed by the emulator, the DSP system is set to run at full speed with no impact on system timing. The emulators require the target board to include a header that supports connection of the JTAG port of the DSP to the emulator.

For details on target board design issues including mechanical layout, single processor connections, signal buffering, signal termination, and emulator pod logic, see “[Analog Devices JTAG Emulation Technical Reference](#)” (EE-68).

## **ADDITIONAL INFORMATION**

This data sheet provides a general overview of the ADSP-SC57x/ADSP-2157x architecture and functionality. For detailed information on the core architecture and instruction set, refer to the [SHARC+ Core Programming Reference](#).

## **RELATED SIGNAL CHAINS**

A signal chain is a series of signal-conditioning electronic components that receive input (data acquired from sampling either real-time phenomena or from stored data) in tandem, with the output of one portion of the chain supplying input to the next. Signal chains are often used in signal processing applications to gather and process data or to apply system controls based on analysis of real-time phenomena.

Analog Devices eases signal processing system development by providing signal processing components that are designed to work together well. A tool for viewing relationships between specific applications and related components is available on the [www.analog.com](http://www.analog.com) website.

The application signal chains page in the Circuits from the Lab<sup>®</sup> site ([www.analog.com/circuits](http://www.analog.com/circuits)) provides the following:

- Graphical circuit block diagram presentation of signal chains for a variety of circuit types and applications
- Drill down links for components in each chain to selection guides and application information
- Reference designs applying best practice design techniques

# ADSP-SC570/SC571/SC572/SC573/ADSP-21571/21573

## ADSP-SC57x/ADSP-2157x DETAILED SIGNAL DESCRIPTIONS

Table 11 provides a detailed description of each pin.

Table 11. ADSP-SC57x/ADSP-2157x Detailed Signal Descriptions

| Signal Name | Direction | Description   |
|-------------|-----------|---|
| ACM_A[n]    | Output    | <b>ADC Control Signals.</b> Function varies by mode.  |
| ACM_T[n]    | Input     | <b>External Trigger n.</b> Input for external trigger events.   |
| C1_FLG[n]   | Output    | <b>SHARC Core 1 Flag Pin.</b>   |
| C2_FLG[n]   | Output    | <b>SHARC Core 2 Flag Pin.</b>   |
| CAN_RX      | Input     | <b>Receive.</b> Typically an external CAN transceiver RX output.  |
| CAN_TX      | Output    | <b>Transmit.</b> Typically an external CAN transceiver TX input.  |
| CNT_DG      | Input     | <b>Count Down and Gate.</b> Depending on the mode of operation, this input acts either as a count down signal or a gate signal.<br>Count down—this input causes the GP counter to decrement.<br>Gate—stops the GP counter from incrementing or decrementing.                  |
| CNT_UD      | Input     | <b>Count Up and Direction.</b> Depending on the mode of operation, this input acts either as a count up signal or a direction signal.<br>Count up—this input causes the GP counter to increment.<br>Direction—selects whether the GP counter is incrementing or decrementing. |
| CNT_ZM      | Input     | <b>Count Zero Marker.</b> Input that connects to the zero marker output of a rotary device or detects the pressing of a pushbutton.   |
| DAI_PIN[nn] | InOut     | <b>Pin n.</b> The digital applications interface (DAI0) connects various peripherals to any of the DAI0_PINxx pins. Programs make these connections using the signal routing unit (SRU).  |
| DMC_A[nn]   | Output    | <b>Address n.</b> Address bus.  |
| DMC_BA[n]   | Output    | <b>Bank Address n.</b> Defines which internal bank an activate, read, write or precharge command is applied to on the dynamic memory. Bank Address n also defines which mode registers (MR, EMR, EMR2, and/or EMR3) load during the load mode register command.               |
| DMC_CAS     | Output    | <b>Column Address Strobe.</b> Defines the operation for external dynamic memory to perform in conjunction with other DMC command signals. Connect to the CAS input of dynamic memory.   |
| DMC_CK      | Output    | <b>Clock.</b> Outputs DCLK to external dynamic memory.  |
| DMC_CK      | Output    | <b>Clock (Complement).</b> Complement of DMC_CK.  |
| DMC_CKE     | Output    | <b>Clock Enable.</b> Active high clock enables. Connects to the CKE input of the dynamic memory.  |
| DMC_CS[n]   | Output    | <b>Chip Select n.</b> Commands are recognized by the memory only when this signal is asserted.  |
| DMC_DQ[nn]  | InOut     | <b>Data n.</b> Bidirectional data bus.  |
| DMC_LDM     | Output    | <b>Data Mask for Lower Byte.</b> Mask for DMC_DQ07:DMC_DQ00 write data when driven high. Sampled on both edges of the data strobe by the dynamic memory.  |
| DMC_LDQS    | InOut     | <b>Data Strobe for Lower Byte.</b> DMC_DQ07:DMC_DQ00 data strobe. Output with write data. Input with read data. Can be single-ended or differential depending on register settings.   |
| DMC_LDQS    | InOut     | <b>Data Strobe for Lower Byte (Complement).</b> Complement of DMC_LDQS. Not used in single-ended mode.  |
| DMC_ODT     | Output    | <b>On Die Termination.</b> Enables dynamic memory termination resistances when driven high (assuming the memory is properly configured). ODT is enabled or disabled regardless of read or write commands.   |
| DMC_RAS     | Output    | <b>Row Address Strobe.</b> Defines the operation for external dynamic memory to perform in conjunction with other DMC command signals. Connect to the RAS input of dynamic memory.  |
| DMC_RESET   | Output    | <b>Reset (DDR3 Only).</b>   |
| DMC_RZQ     | InOut     | <b>External Calibration Resistor Connection.</b>  |
| DMC_UDM     | Output    | <b>Data Mask for Upper Byte.</b> Mask for DMC_DQ15:DMC_DQ08 write data when driven high. Sampled on both edges of the data strobe by the dynamic memory.  |
| DMC_UDQS    | InOut     | <b>Data Strobe for Upper Byte.</b> DMC_DQ15:DMC_DQ08 data strobe. Output with write data. Input with read data. Can be single-ended or differential depending on register settings.   |



# ADSP-SC570/SC571/SC572/SC573/ADSP-21571/21573

**Table 11. ADSP-SC57x/ADSP-2157x Detailed Signal Descriptions (Continued)**

| Signal Name                   | Direction | Description  |
|-------------------------------|-----------|--|
| $\overline{\text{DMC\_UDQS}}$ | InOut     | <b>Data Strobe for Upper Byte (Complement).</b> Complement of DMC_UDQS. Not used in single-ended mode.   |
| DMC_VREF                      | Input     | <b>Voltage Reference.</b> Connects to half of the VDD_DMC voltage. Applies to the DMC0_VREF pin.   |
| $\overline{\text{DMC\_WE}}$   | Output    | <b>Write Enable.</b> Defines the operation for external dynamic memory to perform in conjunction with other DMC command signals. Connect to the $\overline{\text{WE}}$ input of dynamic memory.  |
| ETH_COL                       | Input     | <b>MII Collision Detect.</b> Collision detect input signal valid only in MII.  |
| ETH_CRS                       | Input     | <b>MII Carrier Sense.</b> Asserted by the PHY when either the transmit or receive medium is not idle. Deasserted when both are idle. This signal is not used in RMII/RGMII modes.  |
| ETH_MDC                       | Output    | <b>Management Channel Clock.</b> Clocks the MDC input of the PHY for RMII/RGMII.   |
| ETH_MDIO                      | InOut     | <b>Management Channel Serial Data.</b> Bidirectional data bus for PHY control for RMII/RGMII.  |
| ETH_PTPAUXIN[n]               | Input     | <b>PTP Auxiliary Trigger Input.</b> Assert this signal to take an auxiliary snapshot of the time and store it in the auxiliary time stamp FIFO.  |
| ETH_PTPCLKIN[n]               | Input     | <b>PTP Clock Input.</b> Optional external PTP clock input.   |
| ETH_PTPPPS[n]                 | Output    | <b>PTP Pulse Per Second Output.</b> When the advanced time stamp feature enables, this signal is asserted based on the PPS mode selected. Otherwise, this signal is asserted every time the seconds counter is incremented.  |
| ETH_RXCLK_REFCLK              | InOut     | <b>RXCLK (10/100/1000) or REFCLK (10/100).</b>   |
| ETH_RXCTL_RXDV                | InOut     | <b>RXCTL (10/100/1000) or RXDV (10/100).</b> In RGMII mode, RX_CTL multiplexes receive data valid and receiver error. In RMII mode, RXDV is carrier sense and receive data valid (CRS_DV), multiplexed on alternating clock cycles. In MII mode, RXDV is receive data valid (RX_DV), asserted by the PHY when the data on ETH_RXD[n] is valid. |
| ETH_RXD[n]                    | Input     | <b>Receive Data n.</b> Receive data bus.   |
| ETH_RXERR                     | Input     | <b>Receive Error.</b>  |
| ETH_TXCLK                     | Input     | <b>Reference Clock.</b> Externally supplied Ethernet clock   |
| ETH_TXCTL_TXEN                | InOut     | <b>TXCTL (10/100/1000) or TXEN (10/100).</b>   |
| ETH_TXD[n]                    | Output    | <b>Transmit Data n.</b> Transmit data bus.   |
| HADC_EOC_DOUT                 | Output    | <b>End of Conversion/Serial Data Out.</b> Transitions high for one cycle of the HADC internal clock at the end of every conversion. Alternatively, HADC serial data out can be seen by setting the appropriate bit in HADC_CTL.  |
| HADC_VIN[n]                   | Input     | <b>Analog Input at Channel n.</b> Analog voltage inputs for digital conversion.  |
| HADC_VREFN                    | Input     | <b>Ground Reference for ADC.</b> Connect to an external voltage reference that meets data sheet specifications.  |
| HADC_VREFP                    | Input     | <b>External Reference for ADC.</b> Connect to an external voltage reference that meets data sheet specifications.  |
| JTG_TCK                       | Input     | <b>JTAG Clock.</b> JTAG test access port clock.  |
| JTG_TDI                       | Input     | <b>JTAG Serial Data In.</b> JTAG test access port data input.  |
| JTG_TDO                       | Output    | <b>JTAG Serial Data Out.</b> JTAG test access port data output.  |
| JTG_TMS                       | Input     | <b>JTAG Mode Select.</b> JTAG test access port mode select.  |
| $\overline{\text{JTG\_TRST}}$ | Input     | <b>JTAG Reset.</b> JTAG test access port reset.  |
| LP_ACK                        | InOut     | <b>Acknowledge.</b> Provides handshaking. When the link port is configured as a receiver, ACK is an output. When the link port is configured as a transmitter, ACK is an input.  |
| LP_CLK                        | InOut     | <b>Clock.</b> When the link port is configured as a receiver, CLK is an input. When the link port is configured as a transmitter, CLK is an output.  |
| LP_D[n]                       | InOut     | <b>Data n.</b> Data bus. Input when receiving, output when transmitting.   |
| MLB_CLK                       | InOut     | <b>Single Ended Clock.</b>   |
| MLB_CLKN                      | InOut     | <b>Differential Clock (-).</b>   |
| MLB_CLKOUT                    | InOut     | <b>Single Ended Clock Out.</b>   |
| MLB_CLKP                      | InOut     | <b>Differential Clock (+).</b>   |
| MLB_DAT                       | InOut     | <b>Single Ended Data.</b>  |

# ADSP-SC570/SC571/SC572/SC573/ADSP-21571/21573

Table 11. ADSP-SC57x/ADSP-2157x Detailed Signal Descriptions (Continued)

| Signal Name | Direction | Description   |
|-------------|-----------|---|
| MLB_DATN    | InOut     | <b>Differential Data (-).</b>   |
| MLB_DATP    | InOut     | <b>Differential Data (+).</b>   |
| MLB_SIG     | InOut     | <b>Single Ended Signal.</b>   |
| MLB_SIGN    | InOut     | <b>Differential Signal (-).</b>   |
| MLB_SIGP    | InOut     | <b>Differential Signal (+).</b>   |
| MSI_CD      | Input     | <b>Card Detect.</b> Connects to a pull-up resistor and to the card detect output of an SD socket.   |
| MSI_CLK     | Output    | <b>Clock.</b> The clock signal applied to the connected device from the MSI.  |
| MSI_CMD     | InOut     | <b>Command.</b> Sends commands to and receive responses from the connected device.  |
| MSI_D[n]    | InOut     | <b>Data n.</b> Bidirectional data bus.  |
| MSI_INT     | Input     | <b>eSDIO Interrupt Input.</b> Used only for eSDIO. Connects to an eSDIO card interrupt output. An interrupt can be sampled even when the MSI clock to the card is switched off.     |
| PPI_CLK     | InOut     | <b>Clock.</b> Input in external clock mode, output in internal clock mode.  |
| PPI_D[nn]   | InOut     | <b>Data n.</b> Bidirectional data bus.  |
| PPI_FS1     | InOut     | <b>Frame Sync 1 (HSYNC).</b> Behavior depends on EPPI mode. See the EPPI chapter of the <a href="#">ADSP-SC57x/ADSP-2157x SHARC+ Processor Hardware Reference</a> for more details. |
| PPI_FS2     | InOut     | <b>Frame Sync 2 (VSYNC).</b> Behavior depends on EPPI mode. See the EPPI chapter of the <a href="#">ADSP-SC57x/ADSP-2157x SHARC+ Processor Hardware Reference</a> for more details. |
| PPI_FS3     | InOut     | <b>Frame Sync 3 (FIELD).</b> Behavior depends on EPPI mode. See the EPPI chapter of the <a href="#">ADSP-SC57x/ADSP-2157x SHARC+ Processor Hardware Reference</a> for more details. |
| P_[nn]      | InOut     | <b>Position n.</b> General-purpose input/output. See the GP Ports chapter of the <a href="#">ADSP-SC57x/ADSP-2157x SHARC+ Processor Hardware Reference</a> for more details.        |
| SPI_CLK     | InOut     | <b>Clock.</b> Input in slave mode, output in master mode.   |
| SPI_D2      | InOut     | <b>Data 2.</b> Transfers serial data in quad mode. Open-drain when ODM mode is enabled.   |
| SPI_D3      | InOut     | <b>Data 3.</b> Transfers serial data in quad mode. Open-drain when ODM mode is enabled.   |
| SPI_MISO    | InOut     | <b>Master In, Slave Out.</b> Transfers serial data. Operates in the same direction as SPI_MOSI in dual and quad modes. Open-drain when ODM mode is enabled.                         |
| SPI_MOSI    | InOut     | <b>Master Out, Slave In.</b> Transfers serial data. Operates in the same direction as SPI_MISO in dual and quad modes. Open-drain when ODM mode is enabled.                         |
| SPI_RDY     | InOut     | <b>Ready.</b> Optional flow signal. Output in slave mode, input in master mode.   |
| SPI_SEL[n]  | Output    | <b>Slave Select Output n.</b> Used in master mode to enable the desired slave.  |
| SPI_SS      | Input     | <b>Slave Select Input.</b><br>Slave mode—acts as the slave select input.<br>Master mode—optionally serves as an error detection input for the SPI when there are multiple masters.  |
| SPT_ACLK    | InOut     | <b>Channel A Clock.</b> Data and frame sync are driven or sampled with respect to this clock. This signal can be either internally or externally generated.                         |
| SPT_AD0     | InOut     | <b>Channel A Data 0.</b> Primary bidirectional data I/O. This signal can be configured as an output to transmit serial data or as an input to receive serial data.                  |
| SPT_AD1     | InOut     | <b>Channel A Data 1.</b> Secondary bidirectional data I/O. This signal can be configured as an output to transmit serial data or as an input to receive serial data.                |
| SPT_AFS     | InOut     | <b>Channel A Frame Sync.</b> The frame sync pulse initiates shifting of serial data. This signal is either generated internally or externally.                                      |
| SPT_ATDV    | Output    | <b>Channel A Transmit Data Valid.</b> This signal is optional and only active when SPORT is configured in multichannel transmit mode. It is asserted during enabled slots.          |
| SPT_BCLK    | InOut     | <b>Channel B Clock.</b> Data and frame sync are driven or sampled with respect to this clock. This signal can be either internally or externally generated.                         |
| SPT_BD0     | InOut     | <b>Channel B Data 0.</b> Primary bidirectional data I/O. This signal can be configured as an output to transmit serial data or as an input to receive serial data.                  |

# ADSP-SC570/SC571/SC572/SC573/ADSP-21571/21573

**Table 11. ADSP-SC57x/ADSP-2157x Detailed Signal Descriptions (Continued)**

| Signal Name                    | Direction | Description  |
|--------------------------------|-----------|--|
| SPT_BD1                        | InOut     | <b>Channel B Data 1.</b> Secondary bidirectional data I/O. This signal can be configured as an output to transmit serial data or as an input to receive serial data.   |
| SPT_BFS                        | InOut     | <b>Channel B Frame Sync.</b> The frame sync pulse initiates shifting of serial data. This signal is either generated internally or externally.   |
| SPT_BTDV                       | Output    | <b>Channel B Transmit Data Valid.</b> This signal is optional and only active when SPORT is configured in multichannel transmit mode. It is asserted during enabled slots.   |
| SYS_BMODE[n]                   | Input     | <b>Boot Mode Control n.</b> Selects the boot mode of the processor.  |
| SYS_CLKIN0                     | Input     | <b>Clock/Crystal Input.</b>  |
| SYS_CLKIN1                     | Input     | <b>Clock/Crystal Input.</b>  |
| SYS_CLKOUT                     | Output    | <b>Processor Clock Output.</b> Outputs internal clocks. Clocks may be divided down. See the CGU chapter of the <a href="#">ADSP-SC57x/ADSP-2157x SHARC+ Processor Hardware Reference</a> for more details.   |
| SYS_FAULT                      | InOut     | <b>Active-High Fault Output.</b> Indicates internal faults or senses external faults depending on the operating mode.  |
| $\overline{\text{SYS\_FAULT}}$ | InOut     | <b>Active-Low Fault Output.</b> Indicates internal faults or senses external faults depending on the operating mode.   |
| $\overline{\text{SYS\_HWRST}}$ | Input     | <b>Processor Hardware Reset Control.</b> Resets the device when asserted.  |
| SYS_RESOUT                     | Output    | <b>Reset Output.</b> Indicates the device is in the reset state.   |
| SYS_XTAL0                      | Output    | <b>Crystal Output.</b>   |
| SYS_XTAL1                      | Output    | <b>Crystal Output.</b>   |
| TM_ACI[n]                      | Input     | <b>Alternate Capture Input n.</b> Provides an additional input for WIDCAP, WATCHDOG, and PININT modes.   |
| TM_ACLK[n]                     | Input     | <b>Alternate Clock n.</b> Provides an additional time base for an individual timer.  |
| TM_CLK                         | Input     | <b>Clock.</b> Provides an additional global time base for all GP timers.   |
| TM_TMR[n]                      | InOut     | <b>Timer n.</b> The main input/output signal for each timer.   |
| TRACE_CLK                      | Output    | <b>Trace Clock.</b> Clock output.  |
| TRACE_D[nn]                    | Output    | <b>Trace Data n.</b> Unidirectional data bus.  |
| TWI_SCL                        | InOut     | <b>Serial Clock.</b> Clock output when master, clock input when slave.   |
| TWI_SDA                        | InOut     | <b>Serial Data.</b> Receives or transmits data.  |
| $\overline{\text{UART\_CTS}}$  | Input     | <b>Clear to Send.</b> Flow control signal.   |
| $\overline{\text{UART\_RTS}}$  | Output    | <b>Request to Send.</b> Flow control signal.   |
| $\overline{\text{UART\_RX}}$   | Input     | <b>Receive.</b> Receives input. Typically connects to a transceiver that meets the electrical requirements of the device being communicated with.  |
| $\overline{\text{UART\_TX}}$   | Output    | <b>Transmit.</b> Transmits output. Typically connects to a transceiver that meets the electrical requirements of the device being communicated with.   |
| USB_CLKIN                      | Input     | <b>Clock/Crystal Input.</b> This clock input is multiplied by a PLL to form the USB clock. See data sheet specifications for frequency/tolerance information.  |
| USB_DM                         | InOut     | <b>Data -.</b> Bidirectional differential data line.   |
| USB_DP                         | InOut     | <b>Data +.</b> Bidirectional differential data line.   |
| USB_ID                         | Input     | <b>OTG ID.</b> Senses whether the controller is a host or device. This signal is pulled low when an A type plug is sensed (signifying that the USB controller is the A device). The input is high when a B type plug is sensed (signifying that the USB controller is the B device). |
| USB_VBC                        | Output    | <b>VBUS Control.</b> Controls an external voltage source to supply VBUS when in host mode. Can be configured as open-drain. Polarity is configurable as well.  |
| USB_VBUS                       | InOut     | <b>Bus Voltage.</b> Connects to bus voltage in host and device modes.  |
| USB_XTAL                       | Output    | <b>Crystal.</b> Drives an external crystal. Must be left unconnected if an external clock is driving USB_CLKIN.  |

# ADSP-SC570/SC571/SC572/SC573/ADSP-21571/21573

## 400-BALL CSP\_BGA SIGNAL DESCRIPTIONS

The processor pin definitions are shown in [Table 12](#) for the 400-ball CSP\_BGA package. The columns in this table provide the following information:

- The signal name column includes the signal name for every pin and the GPIO multiplexed pin function, where applicable.
- The description column provides a descriptive name for each signal.
- The port column shows whether or not a signal is multiplexed with other signals on a GPIO port pin.
- The pin name column identifies the name of the package pin (at power on reset) on which the signal is located (if a single function pin) or is multiplexed (if a GPIO pin).
- The DAI pins and their associated signal routing units (SRUs) connect inputs and outputs of the DAI peripherals (SPORT, ASRC, S/PDIF, and PCG). See the Digital Audio Interface (DAI) chapter of the [ADSP-SC57x/ADSP-2157x SHARC+ Processor Hardware Reference](#) for complete information on the use of the DAI and SRUs.

**Table 12. ADSP-SC57x/ADSP-2157x 400-Ball CSP\_BGA Signal Descriptions**

| Signal Name | Description                 | Port      | Pin Name   |
|-------------|-----------------------------|-----------|------------|
| ACM0_A0     | ACM0 ADC Control Signals    | F         | PF_11      |
| ACM0_A1     | ACM0 ADC Control Signals    | C         | PC_14      |
| ACM0_A2     | ACM0 ADC Control Signals    | C         | PC_15      |
| ACM0_A3     | ACM0 ADC Control Signals    | A         | PA_14      |
| ACM0_A4     | ACM0 ADC Control Signals    | B         | PB_01      |
| ACM0_T0     | ACM0 External Trigger n     | A         | PA_15      |
| C1_FLG0     | SHARC Core 1 Flag Pin       | E         | PE_13      |
| C1_FLG1     | SHARC Core 1 Flag Pin       | E         | PE_01      |
| C1_FLG2     | SHARC Core 1 Flag Pin       | F         | PF_04      |
| C1_FLG3     | SHARC Core 1 Flag Pin       | D         | PD_06      |
| C2_FLG0     | SHARC Core 2 Flag Pin       | B         | PB_00      |
| C2_FLG1     | SHARC Core 2 Flag Pin       | C         | PC_14      |
| C2_FLG2     | SHARC Core 2 Flag Pin       | F         | PF_11      |
| C2_FLG3     | SHARC Core 2 Flag Pin       | E         | PE_15      |
| CAN0_RX     | CAN0 Receive                | C         | PC_12      |
| CAN0_TX     | CAN0 Transmit               | C         | PC_13      |
| CAN1_RX     | CAN1 Receive                | C         | PC_14      |
| CAN1_TX     | CAN1 Transmit               | C         | PC_15      |
| CNT0_DG     | CNT0 Count Down and Gate    | D         | PD_08      |
| CNT0_UD     | CNT0 Count Up and Direction | E         | PE_13      |
| CNT0_ZM     | CNT0 Count Zero Marker      | D         | PD_07      |
| DAIO_PIN01  | DAIO Pin 1                  | Not Muxed | DAIO_PIN01 |
| DAIO_PIN02  | DAIO Pin 2                  | Not Muxed | DAIO_PIN02 |
| DAIO_PIN03  | DAIO Pin 3                  | Not Muxed | DAIO_PIN03 |
| DAIO_PIN04  | DAIO Pin 4                  | Not Muxed | DAIO_PIN04 |
| DAIO_PIN05  | DAIO Pin 5                  | Not Muxed | DAIO_PIN05 |
| DAIO_PIN06  | DAIO Pin 6                  | Not Muxed | DAIO_PIN06 |
| DAIO_PIN07  | DAIO Pin 7                  | Not Muxed | DAIO_PIN07 |
| DAIO_PIN08  | DAIO Pin 8                  | Not Muxed | DAIO_PIN08 |
| DAIO_PIN09  | DAIO Pin 9                  | Not Muxed | DAIO_PIN09 |
| DAIO_PIN10  | DAIO Pin 10                 | Not Muxed | DAIO_PIN10 |
| DAIO_PIN11  | DAIO Pin 11                 | Not Muxed | DAIO_PIN11 |
| DAIO_PIN12  | DAIO Pin 12                 | Not Muxed | DAIO_PIN12 |
| DAIO_PIN13  | DAIO Pin 13                 | Not Muxed | DAIO_PIN13 |
| DAIO_PIN14  | DAIO Pin 14                 | Not Muxed | DAIO_PIN14 |
| DAIO_PIN15  | DAIO Pin 15                 | Not Muxed | DAIO_PIN15 |

# ADSP-SC570/SC571/SC572/SC573/ADSP-21571/21573

**Table 12. ADSP-SC57x/ADSP-2157x 400-Ball CSP\_BGA Signal Descriptions (Continued)**

| Signal Name      | Description                                  | Port      | Pin Name         |
|------------------|--|-----------|------------------|
| DAIO_PIN16       | DAIO Pin 16                                  | Not Muxed | DAIO_PIN16       |
| DAIO_PIN17       | DAIO Pin 17                                  | Not Muxed | DAIO_PIN17       |
| DAIO_PIN18       | DAIO Pin 18                                  | Not Muxed | DAIO_PIN18       |
| DAIO_PIN19       | DAIO Pin 19                                  | Not Muxed | DAIO_PIN19       |
| DAIO_PIN20       | DAIO Pin 20                                  | Not Muxed | DAIO_PIN20       |
| DMC0_A00         | DMC0 Address 0                               | Not Muxed | DMC0_A00         |
| DMC0_A01         | DMC0 Address 1                               | Not Muxed | DMC0_A01         |
| DMC0_A02         | DMC0 Address 2                               | Not Muxed | DMC0_A02         |
| DMC0_A03         | DMC0 Address 3                               | Not Muxed | DMC0_A03         |
| DMC0_A04         | DMC0 Address 4                               | Not Muxed | DMC0_A04         |
| DMC0_A05         | DMC0 Address 5                               | Not Muxed | DMC0_A05         |
| DMC0_A06         | DMC0 Address 6                               | Not Muxed | DMC0_A06         |
| DMC0_A07         | DMC0 Address 7                               | Not Muxed | DMC0_A07         |
| DMC0_A08         | DMC0 Address 8                               | Not Muxed | DMC0_A08         |
| DMC0_A09         | DMC0 Address 9                               | Not Muxed | DMC0_A09         |
| DMC0_A10         | DMC0 Address 10                              | Not Muxed | DMC0_A10         |
| DMC0_A11         | DMC0 Address 11                              | Not Muxed | DMC0_A11         |
| DMC0_A12         | DMC0 Address 12                              | Not Muxed | DMC0_A12         |
| DMC0_A13         | DMC0 Address 13                              | Not Muxed | DMC0_A13         |
| DMC0_A14         | DMC0 Address 14                              | Not Muxed | DMC0_A14         |
| DMC0_A15         | DMC0 Address 15                              | Not Muxed | DMC0_A15         |
| DMC0_BA0         | DMC0 Bank Address Input 0                    | Not Muxed | DMC0_BA0         |
| DMC0_BA1         | DMC0 Bank Address Input 1                    | Not Muxed | DMC0_BA1         |
| DMC0_BA2         | DMC0 Bank Address Input 2                    | Not Muxed | DMC0_BA2         |
| <u>DMC0_CAS</u>  | DMC0 Column Address Strobe                   | Not Muxed | <u>DMC0_CAS</u>  |
| DMC0_CK          | DMC0 Clock                                   | Not Muxed | DMC0_CK          |
| <u>DMC0_CK</u>   | DMC0 Clock (complement)                      | Not Muxed | <u>DMC0_CK</u>   |
| DMC0_CKE         | DMC0 Clock enable                            | Not Muxed | DMC0_CKE         |
| <u>DMC0_CS0</u>  | DMC0 Chip Select 0                           | Not Muxed | <u>DMC0_CS0</u>  |
| DMC0_DQ00        | DMC0 Data 0                                  | Not Muxed | DMC0_DQ00        |
| DMC0_DQ01        | DMC0 Data 1                                  | Not Muxed | DMC0_DQ01        |
| DMC0_DQ02        | DMC0 Data 2                                  | Not Muxed | DMC0_DQ02        |
| DMC0_DQ03        | DMC0 Data 3                                  | Not Muxed | DMC0_DQ03        |
| DMC0_DQ04        | DMC0 Data 4                                  | Not Muxed | DMC0_DQ04        |
| DMC0_DQ05        | DMC0 Data 5                                  | Not Muxed | DMC0_DQ05        |
| DMC0_DQ06        | DMC0 Data 6                                  | Not Muxed | DMC0_DQ06        |
| DMC0_DQ07        | DMC0 Data 7                                  | Not Muxed | DMC0_DQ07        |
| DMC0_DQ08        | DMC0 Data 8                                  | Not Muxed | DMC0_DQ08        |
| DMC0_DQ09        | DMC0 Data 9                                  | Not Muxed | DMC0_DQ09        |
| DMC0_DQ10        | DMC0 Data 10                                 | Not Muxed | DMC0_DQ10        |
| DMC0_DQ11        | DMC0 Data 11                                 | Not Muxed | DMC0_DQ11        |
| DMC0_DQ12        | DMC0 Data 12                                 | Not Muxed | DMC0_DQ12        |
| DMC0_DQ13        | DMC0 Data 13                                 | Not Muxed | DMC0_DQ13        |
| DMC0_DQ14        | DMC0 Data 14                                 | Not Muxed | DMC0_DQ14        |
| DMC0_DQ15        | DMC0 Data 15                                 | Not Muxed | DMC0_DQ15        |
| DMC0_LDM         | DMC0 Data Mask for Lower Byte                | Not Muxed | DMC0_LDM         |
| DMC0_LDQS        | DMC0 Data Strobe for Lower Byte              | Not Muxed | DMC0_LDQS        |
| <u>DMC0_LDQS</u> | DMC0 Data Strobe for Lower Byte (complement) | Not Muxed | <u>DMC0_LDQS</u> |

# ADSP-SC570/SC571/SC572/SC573/ADSP-21571/21573

Table 12. ADSP-SC57x/ADSP-2157x 400-Ball CSP\_BGA Signal Descriptions (Continued)

| Signal Name                     | Description                                   | Port      | Pin Name                        |
|---------------------------------|---|-----------|---------------------------------|
| DMC0_ODT                        | DMC0 On die termination                       | Not Muxed | DMC0_ODT                        |
| $\overline{\text{DMC0\_RAS}}$   | DMC0 Row Address Strobe                       | Not Muxed | $\overline{\text{DMC0\_RAS}}$   |
| $\overline{\text{DMC0\_RESET}}$ | DMC0 Reset (DDR3 only)                        | Not Muxed | $\overline{\text{DMC0\_RESET}}$ |
| DMC0_RZQ                        | DMC0 External calibration resistor connection | Not Muxed | DMC0_RZQ                        |
| DMC0_UDM                        | DMC0 Data Mask for Upper Byte                 | Not Muxed | DMC0_UDM                        |
| DMC0_UDQS                       | DMC0 Data Strobe for Upper Byte               | Not Muxed | DMC0_UDQS                       |
| $\overline{\text{DMC0\_UDQS}}$  | DMC0 Data Strobe for Upper Byte (complement)  | Not Muxed | $\overline{\text{DMC0\_UDQS}}$  |
| DMC0_VREF                       | DMC0 Voltage Reference                        | Not Muxed | DMC0_VREF                       |
| $\overline{\text{DMC0\_WE}}$    | DMC0 Write Enable                             | Not Muxed | $\overline{\text{DMC0\_WE}}$    |
| ETH0_COL                        | EMAC0 MII Collision detect                    | C         | PC_06                           |
| ETH0_CRS                        | EMAC0 Carrier Sense/RMII Receive Data Valid   | B         | PB_01                           |
| ETH0_MDC                        | EMAC0 Management Channel Clock                | A         | PA_11                           |
| ETH0_MDIO                       | EMAC0 Management Channel Serial Data          | A         | PA_10                           |
| ETH0_PTPAUXINO                  | EMAC0 PTP Auxiliary Trigger Input 0           | D         | PD_14                           |
| ETH0_PTPAUXIN1                  | EMAC0 PTP Auxiliary Trigger Input 1           | D         | PD_15                           |
| ETH0_PTPAUXIN2                  | EMAC0 PTP Auxiliary Trigger Input 2           | F         | PF_06                           |
| ETH0_PTPAUXIN3                  | EMAC0 PTP Auxiliary Trigger Input 3           | F         | PF_07                           |
| ETH0_PTPCLKINO                  | EMAC0 PTP Clock Input 0                       | F         | PF_05                           |
| ETH0_PTPPPS0                    | EMAC0 PTP Pulse Per Second Output 0           | A         | PA_09                           |
| ETH0_PTPPPS1                    | EMAC0 PTP Pulse Per Second Output 1           | D         | PD_08                           |
| ETH0_PTPPPS2                    | EMAC0 PTP Pulse Per Second Output 2           | E         | PE_00                           |
| ETH0_PTPPPS3                    | EMAC0 PTP Pulse Per Second Output 3           | E         | PE_01                           |
| ETH0_RXCLK_REFCLK               | EMAC0 RXCLK (10/100/1000) or REFCLK (10/100)  | B         | PB_00                           |
| ETH0_RXCTL_RXDV                 | EMAC0 RXCTL (10/100/1000) or CRS (10/100)     | B         | PB_01                           |
| ETH0_RXD0                       | EMAC0 Receive Data 0                          | A         | PA_13                           |
| ETH0_RXD1                       | EMAC0 Receive Data 1                          | A         | PA_12                           |
| ETH0_RXD2                       | EMAC0 Receive Data 2                          | A         | PA_14                           |
| ETH0_RXD3                       | EMAC0 Receive Data 3                          | A         | PA_15                           |
| ETH0_RXERR                      | EMAC0 Receive Error                           | B         | PB_03                           |
| ETH0_TXCLK                      | EMAC0 Transmit Clock                          | B         | PB_04                           |
| ETH0_TXCTL_TXEN                 | EMAC0 TXCTL (10/100/1000) or TXEN (10/100)    | B         | PB_09                           |
| ETH0_TXD0                       | EMAC0 Transmit Data 0                         | B         | PB_07                           |
| ETH0_TXD1                       | EMAC0 Transmit Data 1                         | B         | PB_08                           |
| ETH0_TXD2                       | EMAC0 Transmit Data 2                         | B         | PB_06                           |
| ETH0_TXD3                       | EMAC0 Transmit Data 3                         | B         | PB_05                           |
| HADC0_EOC_DOUT                  | HADC0 End of Conversion/Serial Data Out       | D         | PD_09                           |
| HADC0_VIN0                      | HADC0 Analog Input at channel 0               | Not Muxed | HADC0_VIN0                      |
| HADC0_VIN1                      | HADC0 Analog Input at channel 1               | Not Muxed | HADC0_VIN1                      |
| HADC0_VIN2                      | HADC0 Analog Input at channel 2               | Not Muxed | HADC0_VIN2                      |
| HADC0_VIN3                      | HADC0 Analog Input at channel 3               | Not Muxed | HADC0_VIN3                      |
| HADC0_VIN4                      | HADC0 Analog Input at channel 4               | Not Muxed | HADC0_VIN4                      |
| HADC0_VIN5                      | HADC0 Analog Input at channel 5               | Not Muxed | HADC0_VIN5                      |
| HADC0_VIN6                      | HADC0 Analog Input at channel 6               | Not Muxed | HADC0_VIN6                      |
| HADC0_VIN7                      | HADC0 Analog Input at channel 7               | Not Muxed | HADC0_VIN7                      |
| HADC0_VREFN                     | HADC0 Ground Reference for ADC                | Not Muxed | HADC0_VREFN                     |
| HADC0_VREFP                     | HADC0 External Reference for ADC              | Not Muxed | HADC0_VREFP                     |
| JTG_TCK                         | JTAG Clock                                    | Not Muxed | JTG_TCK                         |
| JTG_TDI                         | JTAG Serial Data In                           | Not Muxed | JTG_TDI                         |

# ADSP-SC570/SC571/SC572/SC573/ADSP-21571/21573

**Table 12. ADSP-SC57x/ADSP-2157x 400-Ball CSP\_BGA Signal Descriptions (Continued)**

| Signal Name                   | Description                  | Port      | Pin Name                      |
|-------------------------------|------------------------------|-----------|-------------------------------|
| JTG_TDO                       | JTAG Serial Data Out         | Not Muxed | JTG_TDO                       |
| JTG_TMS                       | JTAG Mode Select             | Not Muxed | JTG_TMS                       |
| $\overline{\text{JTG\_TRST}}$ | JTAG Reset                   | Not Muxed | $\overline{\text{JTG\_TRST}}$ |
| LP0_ACK                       | LP0 Acknowledge              | E         | PE_03                         |
| LP0_CLK                       | LP0 Clock                    | E         | PE_02                         |
| LP0_D0                        | LP0 Data 0                   | E         | PE_04                         |
| LP0_D1                        | LP0 Data 1                   | E         | PE_05                         |
| LP0_D2                        | LP0 Data 2                   | E         | PE_06                         |
| LP0_D3                        | LP0 Data 3                   | E         | PE_07                         |
| LP0_D4                        | LP0 Data 4                   | E         | PE_08                         |
| LP0_D5                        | LP0 Data 5                   | E         | PE_09                         |
| LP0_D6                        | LP0 Data 6                   | E         | PE_10                         |
| LP0_D7                        | LP0 Data 7                   | E         | PE_11                         |
| LP1_ACK                       | LP1 Acknowledge              | B         | PB_01                         |
| LP1_CLK                       | LP1 Clock                    | B         | PB_03                         |
| LP1_D0                        | LP1 Data 0                   | D         | PD_10                         |
| LP1_D1                        | LP1 Data 1                   | D         | PD_11                         |
| LP1_D2                        | LP1 Data 2                   | D         | PD_12                         |
| LP1_D3                        | LP1 Data 3                   | D         | PD_13                         |
| LP1_D4                        | LP1 Data 4                   | D         | PD_14                         |
| LP1_D5                        | LP1 Data 5                   | D         | PD_15                         |
| LP1_D6                        | LP1 Data 6                   | A         | PA_09                         |
| LP1_D7                        | LP1 Data 7                   | D         | PD_09                         |
| MLB0_CLK                      | MLB0 Single-Ended Clock      | B         | PB_06                         |
| MLB0_CLKN                     | MLB0 Differential Clock (-)  | Not Muxed | MLB0_CLKN                     |
| MLB0_CLKOUT                   | MLB0 Single-Ended Clock Out  | B         | PB_03                         |
| MLB0_CLKP                     | MLB0 Differential Clock (+)  | Not Muxed | MLB0_CLKP                     |
| MLB0_DAT                      | MLB0 Single-Ended Data       | B         | PB_04                         |
| MLB0_DATN                     | MLB0 Differential Data (-)   | Not Muxed | MLB0_DATN                     |
| MLB0_DATP                     | MLB0 Differential Data (+)   | Not Muxed | MLB0_DATP                     |
| MLB0_SIG                      | MLB0 Single-Ended Signal     | B         | PB_05                         |
| MLB0_SIGN                     | MLB0 Differential Signal (-) | Not Muxed | MLB0_SIGN                     |
| MLB0_SIGP                     | MLB0 Differential Signal (+) | Not Muxed | MLB0_SIGP                     |
| $\overline{\text{MSIO\_CD}}$  | MSIO Card Detect             | C         | PC_12                         |
| MSIO_CLK                      | MSIO Clock                   | F         | PF_04                         |
| MSIO_CMD                      | MSIO Command                 | F         | PF_07                         |
| MSIO_D0                       | MSIO Data 0                  | E         | PE_12                         |
| MSIO_D1                       | MSIO Data 1                  | E         | PE_13                         |
| MSIO_D2                       | MSIO Data 2                  | E         | PE_14                         |
| MSIO_D3                       | MSIO Data 3                  | E         | PE_15                         |
| MSIO_D4                       | MSIO Data 4                  | F         | PF_00                         |
| MSIO_D5                       | MSIO Data 5                  | F         | PF_01                         |
| MSIO_D6                       | MSIO Data 6                  | F         | PF_02                         |
| MSIO_D7                       | MSIO Data 7                  | F         | PF_03                         |
| $\overline{\text{MSIO\_INT}}$ | MSIO eSDIO Interrupt Input   | C         | PC_13                         |
| PPIO_CLK                      | EPPIO Clock                  | C         | PC_11                         |
| PPIO_D00                      | EPPIO Data 0                 | D         | PD_10                         |
| PPIO_D01                      | EPPIO Data 1                 | D         | PD_11                         |

# ADSP-SC570/SC571/SC572/SC573/ADSP-21571/21573

Table 12. ADSP-SC57x/ADSP-2157x 400-Ball CSP\_BGA Signal Descriptions (Continued)

| Signal Name      | Description                | Port | Pin Name |
|------------------|----------------------------|------|----------|
| PPIO_D02         | EPPIO Data 2               | D    | PD_12    |
| PPIO_D03         | EPPIO Data 3               | D    | PD_13    |
| PPIO_D04         | EPPIO Data 4               | D    | PD_14    |
| PPIO_D05         | EPPIO Data 5               | D    | PD_15    |
| PPIO_D06         | EPPIO Data 6               | C    | PC_05    |
| PPIO_D07         | EPPIO Data 7               | D    | PD_09    |
| PPIO_D08         | EPPIO Data 8               | C    | PC_01    |
| PPIO_D09         | EPPIO Data 9               | C    | PC_02    |
| PPIO_D10         | EPPIO Data 10              | C    | PC_03    |
| PPIO_D11         | EPPIO Data 11              | C    | PC_04    |
| PPIO_D12         | EPPIO Data 12              | E    | PE_00    |
| PPIO_D13         | EPPIO Data 13              | C    | PC_07    |
| PPIO_D14         | EPPIO Data 14              | C    | PC_08    |
| PPIO_D15         | EPPIO Data 15              | E    | PE_01    |
| PPIO_FS1         | EPPIO Frame Sync 1 (HSYNC) | C    | PC_14    |
| PPIO_FS2         | EPPIO Frame Sync 2 (VSYNC) | C    | PC_15    |
| PPIO_FS3         | EPPIO Frame Sync 3 (FIELD) | C    | PC_06    |
| SPIO_CLK         | SPIO Clock                 | C    | PC_01    |
| SPIO_MISO        | SPIO Master In, Slave Out  | C    | PC_02    |
| SPIO_MOSI        | SPIO Master Out, Slave In  | C    | PC_03    |
| SPIO_RDY         | SPIO Ready                 | C    | PC_05    |
| <u>SPIO_SEL1</u> | SPIO Slave Select Output 1 | C    | PC_04    |
| <u>SPIO_SEL2</u> | SPIO Slave Select Output 2 | C    | PC_05    |
| <u>SPIO_SEL3</u> | SPIO Slave Select Output 3 | C    | PC_06    |
| <u>SPIO_SEL4</u> | SPIO Slave Select Output 4 | A    | PA_09    |
| <u>SPIO_SEL5</u> | SPIO Slave Select Output 5 | F    | PF_05    |
| <u>SPIO_SEL6</u> | SPIO Slave Select Output 6 | F    | PF_04    |
| <u>SPIO_SEL7</u> | SPIO Slave Select Output 7 | D    | PD_05    |
| <u>SPIO_SS</u>   | SPIO Slave Select Input    | C    | PC_04    |
| SPI1_CLK         | SPI1 Clock                 | C    | PC_07    |
| SPI1_MISO        | SPI1 Master In, Slave Out  | C    | PC_08    |
| SPI1_MOSI        | SPI1 Master Out, Slave In  | C    | PC_09    |
| SPI1_RDY         | SPI1 Ready                 | C    | PC_11    |
| <u>SPI1_SEL1</u> | SPI1 Slave Select Output 1 | C    | PC_10    |
| <u>SPI1_SEL2</u> | SPI1 Slave Select Output 2 | C    | PC_11    |
| <u>SPI1_SEL3</u> | SPI1 Slave Select Output 3 | F    | PF_11    |
| <u>SPI1_SEL4</u> | SPI1 Slave Select Output 4 | A    | PA_14    |
| <u>SPI1_SEL5</u> | SPI1 Slave Select Output 5 | B    | PB_02    |
| <u>SPI1_SEL6</u> | SPI1 Slave Select Output 6 | D    | PD_07    |
| <u>SPI1_SEL7</u> | SPI1 Slave Select Output 7 | D    | PD_06    |
| <u>SPI1_SS</u>   | SPI1 Slave Select Input    | C    | PC_10    |
| SPI2_CLK         | SPI2 Clock                 | B    | PB_14    |
| SPI2_D2          | SPI2 Data 2                | B    | PB_12    |
| SPI2_D3          | SPI2 Data 3                | B    | PB_13    |
| SPI2_MISO        | SPI2 Master In, Slave Out  | B    | PB_10    |
| SPI2_MOSI        | SPI2 Master Out, Slave In  | B    | PB_11    |
| SPI2_RDY         | SPI2 Ready                 | C    | PC_00    |
| <u>SPI2_SEL1</u> | SPI2 Slave Select Output 1 | B    | PB_15    |



# ADSP-SC570/SC571/SC572/SC573/ADSP-21571/21573

**Table 12. ADSP-SC57x/ADSP-2157x 400-Ball CSP\_BGA Signal Descriptions (Continued)**

| Signal Name                     | Description                      | Port           | Pin Name                        |
|---------------------------------|----------------------------------|----------------|---------------------------------|
| $\overline{\text{SPI2\_SEL2}}$  | SPI2 Slave Select Output 2       | F              | PF_10                           |
| $\overline{\text{SPI2\_SEL3}}$  | SPI2 Slave Select Output 3       | C              | PC_00                           |
| $\overline{\text{SPI2\_SEL4}}$  | SPI2 Slave Select Output 4       | D              | PD_08                           |
| $\overline{\text{SPI2\_SEL5}}$  | SPI2 Slave Select Output 5       | A              | PA_15                           |
| $\overline{\text{SPI2\_SEL6}}$  | SPI2 Slave Select Output n       | A              | PA_10                           |
| $\overline{\text{SPI2\_SEL7}}$  | SPI2 Slave Select Output n       | B              | PB_07                           |
| $\overline{\text{SPI2\_SS}}$    | SPI2 Slave Select Input          | B              | PB_15                           |
| SYS_BMODE0                      | Boot Mode Control n              | Not Muxed      | SYS_BMODE0                      |
| SYS_BMODE1                      | Boot Mode Control n              | Not Muxed      | SYS_BMODE1                      |
| SYS_BMODE2                      | Boot Mode Control n              | Not Muxed      | SYS_BMODE2                      |
| SYS_CLKIN0                      | Clock/Crystal Input              | Not Muxed      | SYS_CLKIN0                      |
| SYS_CLKIN1                      | Clock/Crystal Input              | Not Muxed      | SYS_CLKIN1                      |
| SYS_CLKOUT                      | Processor Clock Output           | Not Muxed      | SYS_CLKOUT                      |
| SYS_FAULT                       | Active-High Fault Output         | Not Muxed      | SYS_FAULT                       |
| $\overline{\text{SYS\_FAULT}}$  | Active-Low Fault Output          | Not Muxed      | $\overline{\text{SYS\_FAULT}}$  |
| $\overline{\text{SYS\_HWRST}}$  | Processor Hardware Reset Control | Not Muxed      | $\overline{\text{SYS\_HWRST}}$  |
| $\overline{\text{SYS\_RESOUT}}$ | Reset Output                     | Not Muxed      | $\overline{\text{SYS\_RESOUT}}$ |
| SYS_XTAL0                       | Crystal Output                   | Not Muxed      | SYS_XTAL0                       |
| SYS_XTAL1                       | Crystal Output                   | Not Muxed      | SYS_XTAL1                       |
| TM0_ACIO                        | TIMER0 Alternate Capture Input 0 | F              | PF_09                           |
| TM0_AC11                        | TIMER0 Alternate Capture Input 1 | F              | PF_11                           |
| TM0_AC12                        | TIMER0 Alternate Capture Input 2 | C              | PC_12                           |
| TM0_AC13                        | TIMER0 Alternate Capture Input 3 | C              | PC_14                           |
| TM0_AC14                        | TIMER0 Alternate Capture Input 4 | C              | PC_13                           |
| TM0_AC15                        | TIMER0 Alternate Capture Input 5 | Not Applicable | DAIO_PIN04 <sup>1</sup>         |
| TM0_AC16                        | TIMER0 Alternate Capture Input 6 | Not Applicable | DAIO_PIN19 <sup>1</sup>         |
| TM0_AC17                        | TIMER0 Alternate Capture Input 7 | Not Applicable | CNT0_TO                         |
| TM0_ACLK0                       | TIMER0 Alternate Clock 0         | Not Applicable | SYS_CLKIN1                      |
| TM0_ACLK1                       | TIMER0 Alternate Clock 1         | F              | PF_06                           |
| TM0_ACLK2                       | TIMER0 Alternate Clock 2         | C              | PC_01                           |
| TM0_ACLK3                       | TIMER0 Alternate Clock 3         | D              | PD_09                           |
| TM0_ACLK4                       | TIMER0 Alternate Clock 4         | E              | PE_02                           |
| TM0_ACLK5                       | TIMER0 Alternate Clock 5         | Not Applicable | DAIO_PIN03 <sup>1</sup>         |
| TM0_ACLK6                       | TIMER0 Alternate Clock 6         | Not Applicable | DAIO_PIN20 <sup>1</sup>         |
| TM0_ACLK7                       | TIMER0 Alternate Clock 7         | Not Applicable | SYS_CLKIN0                      |
| TM0_CLK                         | TIMER0 Clock                     | C              | PC_03                           |
| TM0_TMR0                        | TIMER0 Timer 0                   | E              | PE_12                           |
| TM0_TMR1                        | TIMER0 Timer 1                   | F              | PF_05                           |
| TM0_TMR2                        | TIMER0 Timer 2                   | F              | PF_07                           |
| TM0_TMR3                        | TIMER0 Timer 3                   | B              | PB_01                           |
| TM0_TMR4                        | TIMER0 Timer 4                   | B              | PB_03                           |
| TM0_TMR5                        | TIMER0 Timer 5                   | C              | PC_15                           |
| TM0_TMR6                        | TIMER0 Timer 6                   | E              | PE_14                           |
| TM0_TMR7                        | TIMER0 Timer 7                   | D              | PD_07                           |
| TRACE0_CLK                      | TRACE0 Trace Clock               | F              | PF_06                           |
| TRACE0_D00                      | TRACE0 Trace Data 0              | F              | PF_00                           |
| TRACE0_D01                      | TRACE0 Trace Data 1              | F              | PF_01                           |
| TRACE0_D02                      | TRACE0 Trace Data 2              | F              | PF_02                           |

# ADSP-SC570/SC571/SC572/SC573/ADSP-21571/21573

Table 12. ADSP-SC57x/ADSP-2157x 400-Ball CSP\_BGA Signal Descriptions (Continued)

| Signal Name | Description              | Port      | Pin Name  |
|-------------|--------------------------|-----------|-----------|
| TRACE0_D03  | TRACE0 Trace Data 3      | F         | PF_03     |
| TRACE0_D04  | TRACE0 Trace Data 4      | D         | PD_10     |
| TRACE0_D05  | TRACE0 Trace Data 5      | D         | PD_11     |
| TRACE0_D06  | TRACE0 Trace Data 6      | D         | PD_12     |
| TRACE0_D07  | TRACE0 Trace Data 7      | D         | PD_13     |
| TWI0_SCL    | TWI0 Serial Clock        | Not Muxed | TWI0_SCL  |
| TWI0_SDA    | TWI0 Serial Data         | Not Muxed | TWI0_SDA  |
| TWI1_SCL    | TWI1 Serial Clock        | Not Muxed | TWI1_SCL  |
| TWI1_SDA    | TWI1 Serial Data         | Not Muxed | TWI1_SDA  |
| TWI2_SCL    | TWI2 Serial Clock        | Not Muxed | TWI2_SCL  |
| TWI2_SDA    | TWI2 Serial Data         | Not Muxed | TWI2_SDA  |
| UART0_CTS   | UART0 Clear to Send      | D         | PD_06     |
| UART0_RTS   | UART0 Request to Send    | D         | PD_05     |
| UART0_RX    | UART0 Receive            | F         | PF_09     |
| UART0_TX    | UART0 Transmit           | F         | PF_08     |
| UART1_CTS   | UART1 Clear to Send      | E         | PE_14     |
| UART1_RTS   | UART1 Request to Send    | E         | PE_00     |
| UART1_RX    | UART1 Receive            | F         | PF_11     |
| UART1_TX    | UART1 Transmit           | F         | PF_10     |
| UART2_CTS   | UART2 Clear to Send      | A         | PA_11     |
| UART2_RTS   | UART2 Request to Send    | A         | PA_10     |
| UART2_RX    | UART2 Receive            | C         | PC_13     |
| UART2_TX    | UART2 Transmit           | C         | PC_12     |
| USB0_CLKIN  | USB0 Clock/Crystal Input | Not Muxed | USB_CLKIN |
| USB0_DM     | USB0 Data -              | Not Muxed | USB0_DM   |
| USB0_DP     | USB0 Data +              | Not Muxed | USB0_DP   |
| USB0_ID     | USB0 OTG ID              | Not Muxed | USB0_ID   |
| USB0_VBC    | USB0 VBUS Control        | Not Muxed | USB0_VBC  |
| USB0_VBUS   | USB0 Bus Voltage         | Not Muxed | USB0_VBUS |
| USB0_XTAL   | USB0 Crystal             | Not Muxed | USB_XTAL  |
| VDD_EXT     | External Voltage Domain  | Not Muxed | VDD_EXT   |
| VDD_INT     | Internal Voltage Domain  | Not Muxed | VDD_INT   |
| VDD_DMC     | DMC VDD                  | Not Muxed | VDD_DMC   |
| VDD_HADC    | HADC/TMU VDD             | Not Muxed | VDD_HADC  |
| VDD_USB     | USB VDD                  | Not Muxed | VDD_USB   |

<sup>1</sup> Signal is routed to the DAI0\_PINnn pin through the DAI0\_PBnn pin buffers using the SRU.

## GPIO MULTIPLEXING FOR 400-BALL CSP\_BGA PACKAGE

Table 13 through Table 18 identify the pin functions that are multiplexed on the GPIO pins of the 400-ball CSP\_BGA package.

**Table 13. Signal Multiplexing for Port A**

| Signal Name | Multiplexed Function 0 | Multiplexed Function 1 | Multiplexed Function 2 | Multiplexed Function 3 | Multiplexed Function Input Tap |
|-------------|------------------------|------------------------|------------------------|------------------------|--------------------------------|
| PA_00       |                        |                        |                        |                        |                                |
| PA_01       |                        |                        |                        |                        |                                |
| PA_02       |                        |                        |                        |                        |                                |
| PA_03       |                        |                        |                        |                        |                                |
| PA_04       |                        |                        |                        |                        |                                |
| PA_05       |                        |                        |                        |                        |                                |
| PA_06       |                        |                        |                        |                        |                                |
| PA_07       |                        |                        |                        |                        |                                |
| PA_08       |                        |                        |                        |                        |                                |
| PA_09       | ETH0_PTPPPS0           | LP1_D6                 | SPI0_SEL4              |                        |                                |
| PA_10       | ETH0_MDIO              | UART2_RTS              | SPI2_SEL6              |                        |                                |
| PA_11       | ETH0_MDC               | UART2_CTS              |                        |                        |                                |
| PA_12       | ETH0_RXD1              |                        |                        |                        |                                |
| PA_13       | ETH0_RXD0              |                        |                        |                        |                                |
| PA_14       | ETH0_RXD2              | ACM0_A3                | SPI1_SEL4              |                        |                                |
| PA_15       | ETH0_RXD3              | ACM0_T0                | SPI2_SEL5              |                        |                                |

**Table 14. Signal Multiplexing for Port B**

| Signal Name | Multiplexed Function 0 | Multiplexed Function 1 | Multiplexed Function 2 | Multiplexed Function 3 | Multiplexed Function Input Tap |
|-------------|------------------------|------------------------|------------------------|------------------------|--------------------------------|
| PB_00       | ETH0_RXCLK_REFCLK      | C2_FLG0                |                        |                        |                                |
| PB_01       | ETH0_CRS               | ACM0_A4                | LP1_ACK                | TM0_TMR3               |                                |
| PB_02       | ETH0_RXCTL_RXDV        |                        | SPI1_SEL5              |                        |                                |
| PB_03       | ETH0_RXERR             | MLB0_CLKOUT            | LP1_CLK                | TM0_TMR4               |                                |
| PB_04       | ETH0_TXCLK             | MLB0_DAT               |                        |                        |                                |
| PB_05       | ETH0_TXD3              | MLB0_SIG               |                        |                        |                                |
| PB_06       | ETH0_TXD2              | MLB0_CLK               |                        |                        |                                |
| PB_07       | ETH0_TXD0              |                        | SPI2_SEL7              |                        |                                |
| PB_08       | ETH0_TXD1              |                        |                        |                        |                                |
| PB_09       | ETH0_TXCTL_TXEN        |                        |                        |                        |                                |
| PB_10       | SPI2_MISO              |                        |                        |                        |                                |
| PB_11       | SPI2_MOSI              |                        |                        |                        |                                |
| PB_12       | SPI2_D2                |                        |                        |                        |                                |
| PB_13       | SPI2_D3                |                        |                        |                        |                                |
| PB_14       | SPI2_CLK               |                        |                        |                        |                                |
| PB_15       | SPI2_SEL1              |                        |                        |                        | SPI2_SS                        |

# ADSP-SC570/SC571/SC572/SC573/ADSP-21571/21573

Table 15. Signal Multiplexing for Port C

| Signal Name | Multiplexed Function 0 | Multiplexed Function 1 | Multiplexed Function 2 | Multiplexed Function 3 | Multiplexed Function Input Tap |
|-------------|------------------------|------------------------|------------------------|------------------------|--------------------------------|
| PC_00       | SPI2_SEL3              | SPI2_RDY               |                        |                        |                                |
| PC_01       | SPI0_CLK               | PPIO_D08               |                        |                        | TM0_ACLK2                      |
| PC_02       | SPI0_MISO              | PPIO_D09               |                        |                        |                                |
| PC_03       | SPI0_MOSI              | PPIO_D10               |                        |                        | TM0_CLK                        |
| PC_04       | SPI0_SEL1              | PPIO_D11               |                        |                        | SPI0_SS                        |
| PC_05       | SPI0_SEL2              | PPIO_D06               | SPI0_RDY               |                        |                                |
| PC_06       | SPI0_SEL3              | ETH0_COL               | PPIO_FS3               |                        |                                |
| PC_07       | SPI1_CLK               | PPIO_D13               |                        |                        |                                |
| PC_08       | SPI1_MISO              | PPIO_D14               |                        |                        |                                |
| PC_09       | SPI1_MOSI              |                        |                        |                        |                                |
| PC_10       | SPI1_SEL1              |                        |                        |                        | SPI1_SS                        |
| PC_11       | SPI1_SEL2              | PPIO_CLK               | SPI1_RDY               |                        | TM0_ACLK4                      |
| PC_12       | CAN0_RX                | MSIO_CD                | UART2_TX               |                        | TM0_AC12                       |
| PC_13       | CAN0_TX                | MSIO_INT               | UART2_RX               |                        | TM0_AC14                       |
| PC_14       | CAN1_RX                | PPIO_FS1               | ACM0_A1                | C2_FLG1                | TM0_AC13                       |
| PC_15       | CAN1_TX                | PPIO_FS2               | ACM0_A2                | TM0_TMR5               |                                |

Table 16. Signal Multiplexing for Port D

| Signal Name | Multiplexed Function 0 | Multiplexed Function 1 | Multiplexed Function 2 | Multiplexed Function 3 | Multiplexed Function Input Tap |
|-------------|------------------------|------------------------|------------------------|------------------------|--------------------------------|
| PD_00       |                        |                        |                        |                        |                                |
| PD_01       |                        |                        |                        |                        |                                |
| PD_02       |                        |                        |                        |                        |                                |
| PD_03       |                        |                        |                        |                        |                                |
| PD_04       |                        |                        |                        |                        |                                |
| PD_05       | SPI0_SEL7              |                        | UART0_RTS              |                        |                                |
| PD_06       | SPI1_SEL7              | C1_FLG3                | UART0_CTS              |                        |                                |
| PD_07       | SPI1_SEL6              | CNT0_ZM                | TM0_TMR7               |                        |                                |
| PD_08       | ETH0_PTPPPS1           | CNT0_DG                | SPI2_SEL4              |                        |                                |
| PD_09       | LP1_D7                 | PPIO_D07               | HADC0_EOC_DOUT         |                        | TM0_ACLK3                      |
| PD_10       | LP1_D0                 | PPIO_D00               | TRACE0_D04             |                        |                                |
| PD_11       | LP1_D1                 | PPIO_D01               | TRACE0_D05             |                        |                                |
| PD_12       | LP1_D2                 | PPIO_D02               | TRACE0_D06             |                        |                                |
| PD_13       | LP1_D3                 | PPIO_D03               | TRACE0_D07             |                        |                                |
| PD_14       | LP1_D4                 | PPIO_D04               | ETH0_PTPAUXIN0         |                        |                                |
| PD_15       | LP1_D5                 | PPIO_D05               | ETH0_PTPAUXIN1         |                        |                                |

Table 17. Signal Multiplexing for Port E

| Signal Name | Multiplexed Function 0 | Multiplexed Function 1 | Multiplexed Function 2 | Multiplexed Function 3 | Multiplexed Function Input Tap |
|-------------|------------------------|------------------------|------------------------|------------------------|--------------------------------|
| PE_00       | ETH0_PTPPPS2           | PPIO_D12               | UART1_RTS              |                        |                                |
| PE_01       | ETH0_PTPPPS3           | PPIO_D15               | C1_FLG1                |                        |                                |
| PE_02       | LPO_CLK                |                        |                        |                        |                                |

# ADSP-SC570/SC571/SC572/SC573/ADSP-21571/21573

**Table 17. Signal Multiplexing for Port E (Continued)**

| Signal Name | Multiplexed Function 0 | Multiplexed Function 1 | Multiplexed Function 2 | Multiplexed Function 3 | Multiplexed Function Input Tap |
|-------------|------------------------|------------------------|------------------------|------------------------|--------------------------------|
| PE_03       | LP0_ACK                |                        |                        |                        |                                |
| PE_04       | LP0_D0                 |                        |                        |                        |                                |
| PE_05       | LP0_D1                 |                        |                        |                        |                                |
| PE_06       | LP0_D2                 |                        |                        |                        |                                |
| PE_07       | LP0_D3                 |                        |                        |                        |                                |
| PE_08       | LP0_D4                 |                        |                        |                        |                                |
| PE_09       | LP0_D5                 |                        |                        |                        |                                |
| PE_10       | LP0_D6                 |                        |                        |                        |                                |
| PE_11       | LP0_D7                 |                        |                        |                        |                                |
| PE_12       | MSIO_D0                |                        | TM0_TMR0               |                        |                                |
| PE_13       | MSIO_D1                | C1_FLG0                | CNT0_UD                |                        |                                |
| PE_14       | MSIO_D2                | UART1_CTS              | TM0_TMR6               |                        |                                |
| PE_15       | MSIO_D3                | C2_FLG3                |                        |                        |                                |

**Table 18. Signal Multiplexing for Port F**

| Signal Name | Multiplexed Function 0 | Multiplexed Function 1 | Multiplexed Function 2 | Multiplexed Function 3 | Multiplexed Function Input Tap |
|-------------|------------------------|------------------------|------------------------|------------------------|--------------------------------|
| PF_00       | MSIO_D4                | TRACE0_D00             |                        |                        |                                |
| PF_01       | MSIO_D5                | TRACE0_D01             |                        |                        |                                |
| PF_02       | MSIO_D6                | TRACE0_D02             |                        |                        |                                |
| PF_03       | MSIO_D7                | TRACE0_D03             |                        |                        |                                |
| PF_04       | MSIO_CLK               | C1_FLG2                | SPI0_SEL6              |                        |                                |
| PF_05       | ETH0_PTPCLKIN0         | TM0_TMR1               | SPI0_SEL5              |                        |                                |
| PF_06       | ETH0_PTPAUXIN2         | TRACE0_CLK             |                        |                        | TM0_ACLK1                      |
| PF_07       | ETH0_PTPAUXIN3         | TM0_TMR2               | MSIO_CMD               |                        |                                |
| PF_08       | UART0_TX               |                        |                        |                        |                                |
| PF_09       | UART0_RX               |                        |                        |                        | TM0_ACIO                       |
| PF_10       | UART1_TX               | SPI2_SEL2              |                        |                        |                                |
| PF_11       | UART1_RX               | ACM0_A0                | SPI1_SEL3              | C2_FLG2                | TM0_AC11                       |

Table 19 shows the internal timer signal routing. This table applies to both the 400-ball CSP\_BGA and 176-lead LQFP packages.

**Table 19. Internal Timer Signal Routing**

| Timer Input Signal     | Internal Source |
|------------------------|-----------------|
| TM0_ACLK0 <sup>1</sup> | SYS_CLKIN1      |
| TM0_AC15               | DAI0_PB04_O     |
| TM0_ACLK5              | DAI0_PB03_O     |
| TM0_AC16               | DAI0_PB20_O     |
| TM0_ACLK6              | DAI0_PB19_O     |
| TM0_AC17               | CNT0_TO         |
| TM0_ACLK7              | SYS_CLKIN0      |

<sup>1</sup>Not applicable for LQFP package.

# ADSP-SC570/SC571/SC572/SC573/ADSP-21571/21573

## 176-LEAD LQFP SIGNAL DESCRIPTIONS

The processor pin definitions are shown [Table 20](#) for the 176-lead LQFP package. The columns in this table provide the following information:

- The signal name column includes the signal name for every pin and the GPIO multiplexed pin function, where applicable.
- The description column provides a descriptive name for each signal.
- The port column shows whether or not a signal is multiplexed with other signals on a GPIO port pin.

- The pin name column identifies the name of the package pin (at power on reset) on which the signal is located (if a single function pin) or is multiplexed (if a GPIO pin).
- The DAI pins and their associated signal routing units (SRUs) connect inputs and outputs of the DAI peripherals (SPORT, ASRC, S/PDIF, and PCG). See the Digital Audio Interface (DAI) chapter of the [ADSP-SC57x/ADSP-2157x SHARC+ Processor Hardware Reference](#) for complete information on the use of the DAIs and SRUs.

**Table 20. ADSP-SC57x/ADSP-2157x 176-Lead LQFP Signal Descriptions**

| Signal Name | Description                 | Port      | Pin Name   |
|-------------|-----------------------------|-----------|------------|
| ACM0_A0     | ACM0 ADC Control Signals    | A         | PA_08      |
| ACM0_A1     | ACM0 ADC Control Signals    | C         | PC_14      |
| ACM0_A2     | ACM0 ADC Control Signals    | C         | PC_15      |
| ACM0_A3     | ACM0 ADC Control Signals    | A         | PA_14      |
| ACM0_A4     | ACM0 ADC Control Signals    | B         | PB_01      |
| ACM0_T0     | ACM0 External Trigger n     | A         | PA_15      |
| C1_FLG0     | SHARC Core 1 Flag Pin       | D         | PD_00      |
| C1_FLG1     | SHARC Core 1 Flag Pin       | D         | PD_01      |
| C1_FLG2     | SHARC Core 1 Flag Pin       | C         | PC_09      |
| C1_FLG3     | SHARC Core 1 Flag Pin       | D         | PD_06      |
| C2_FLG0     | SHARC Core 2 Flag Pin       | B         | PB_00      |
| C2_FLG1     | SHARC Core 2 Flag Pin       | C         | PC_14      |
| C2_FLG2     | SHARC Core 2 Flag Pin       | C         | PC_15      |
| C2_FLG3     | SHARC Core 2 Flag Pin       | D         | PD_05      |
| CAN0_RX     | CAN0 Receive                | C         | PC_12      |
| CAN0_TX     | CAN0 Transmit               | C         | PC_13      |
| CAN1_RX     | CAN1 Receive                | C         | PC_14      |
| CAN1_TX     | CAN1 Transmit               | C         | PC_15      |
| CNT0_DG     | CNT0 Count Down and Gate    | D         | PD_08      |
| CNT0_UD     | CNT0 Count Up and Direction | D         | PD_00      |
| CNT0_ZM     | CNT0 Count Zero Marker      | D         | PD_07      |
| DAIO_PIN01  | DAIO Pin 1                  | Not Muxed | DAIO_PIN01 |
| DAIO_PIN02  | DAIO Pin 2                  | Not Muxed | DAIO_PIN02 |
| DAIO_PIN03  | DAIO Pin 3                  | Not Muxed | DAIO_PIN03 |
| DAIO_PIN04  | DAIO Pin 4                  | Not Muxed | DAIO_PIN04 |
| DAIO_PIN05  | DAIO Pin 5                  | Not Muxed | DAIO_PIN05 |
| DAIO_PIN06  | DAIO Pin 6                  | Not Muxed | DAIO_PIN06 |
| DAIO_PIN07  | DAIO Pin 7                  | Not Muxed | DAIO_PIN07 |
| DAIO_PIN08  | DAIO Pin 8                  | Not Muxed | DAIO_PIN08 |
| DAIO_PIN09  | DAIO Pin 9                  | Not Muxed | DAIO_PIN09 |
| DAIO_PIN10  | DAIO Pin 10                 | Not Muxed | DAIO_PIN10 |
| DAIO_PIN11  | DAIO Pin 11                 | Not Muxed | DAIO_PIN11 |
| DAIO_PIN12  | DAIO Pin 12                 | Not Muxed | DAIO_PIN12 |
| DAIO_PIN13  | DAIO Pin 13                 | Not Muxed | DAIO_PIN13 |
| DAIO_PIN14  | DAIO Pin 14                 | Not Muxed | DAIO_PIN14 |

# ADSP-SC570/SC571/SC572/SC573/ADSP-21571/21573

**Table 20. ADSP-SC57x/ADSP-2157x 176-Lead LQFP Signal Descriptions (Continued)**

| Signal Name       | Description                                  | Port      | Pin Name    |
|-------------------|--|-----------|-------------|
| DAIO_PIN15        | DAIO Pin 15                                  | Not Muxed | DAIO_PIN15  |
| DAIO_PIN16        | DAIO Pin 16                                  | Not Muxed | DAIO_PIN16  |
| DAIO_PIN17        | DAIO Pin 17                                  | Not Muxed | DAIO_PIN17  |
| DAIO_PIN18        | DAIO Pin 18                                  | Not Muxed | DAIO_PIN18  |
| DAIO_PIN19        | DAIO Pin 19                                  | Not Muxed | DAIO_PIN19  |
| DAIO_PIN20        | DAIO Pin 20                                  | Not Muxed | DAIO_PIN20  |
| ETH0_COL          | EMAC0 MII Collision detect                   | C         | PC_06       |
| ETH0_CRS          | EMAC0 Carrier Sense/RMII Receive Data Valid  | B         | PB_01       |
| ETH0_MDC          | EMAC0 Management Channel Clock               | A         | PA_11       |
| ETH0_MDIO         | EMAC0 Management Channel Serial Data         | A         | PA_10       |
| ETH0_PTPAUXIN0    | EMAC0 PTP Auxiliary Trigger Input 0          | D         | PD_14       |
| ETH0_PTPAUXIN1    | EMAC0 PTP Auxiliary Trigger Input 1          | D         | PD_15       |
| ETH0_PTPPPS0      | EMAC0 PTP Pulse Per Second Output 0          | A         | PA_09       |
| ETH0_PTPPPS1      | EMAC0 PTP Pulse Per Second Output 1          | D         | PD_08       |
| ETH0_RXCLK_REFCLK | EMAC0 RXCLK (10/100/1000) or REFCLK (10/100) | B         | PB_00       |
| ETH0_RXCTL_RXDV   | EMAC0 RXCTL (10/100/1000) or CRS (10/100)    | B         | PB_01       |
| ETH0_RXD0         | EMAC0 Receive Data 0                         | A         | PA_13       |
| ETH0_RXD1         | EMAC0 Receive Data 1                         | A         | PA_12       |
| ETH0_RXD2         | EMAC0 Receive Data 2                         | A         | PA_14       |
| ETH0_RXD3         | EMAC0 Receive Data 3                         | A         | PA_15       |
| ETH0_RXERR        | EMAC0 Receive Error                          | B         | PB_03       |
| ETH0_TXCLK        | EMAC0 Transmit Clock                         | B         | PB_04       |
| ETH0_TXCTL_TXEN   | EMAC0 TXCTL (10/100/1000) or TXEN (10/100)   | B         | PB_09       |
| ETH0_TXD0         | EMAC0 Transmit Data 0                        | B         | PB_07       |
| ETH0_TXD1         | EMAC0 Transmit Data 1                        | B         | PB_08       |
| ETH0_TXD2         | EMAC0 Transmit Data 2                        | B         | PB_06       |
| ETH0_TXD3         | EMAC0 Transmit Data 3                        | B         | PB_05       |
| HADC0_EOC_DOUT    | HADC0 End of Conversion/Serial Data Out      | D         | PD_09       |
| HADC0_VIN0        | HADC0 Analog Input at channel 0              | Not Muxed | HADC0_VIN0  |
| HADC0_VIN1        | HADC0 Analog Input at channel 1              | Not Muxed | HADC0_VIN1  |
| HADC0_VIN2        | HADC0 Analog Input at channel 2              | Not Muxed | HADC0_VIN2  |
| HADC0_VIN3        | HADC0 Analog Input at channel 3              | Not Muxed | HADC0_VIN3  |
| HADC0_VREFN       | HADC0 Ground Reference for ADC               | Not Muxed | HADC0_VREFN |
| HADC0_VREFP       | HADC0 External Reference for ADC             | Not Muxed | HADC0_VREFP |
| JTG_TCK           | JTAG Clock                                   | Not Muxed | JTG_TCK     |
| JTG_TDI           | JTAG Serial Data In                          | Not Muxed | JTG_TDI     |
| JTG_TDO           | JTAG Serial Data Out                         | Not Muxed | JTG_TDO     |
| JTG_TMS           | JTAG Mode Select                             | Not Muxed | JTG_TMS     |
| JTG_TRST          | JTAG Reset                                   | Not Muxed | JTG_TRST    |
| LP1_ACK           | LP1 Acknowledge                              | B         | PB_01       |
| LP1_CLK           | LP1 Clock                                    | B         | PB_03       |
| LP1_D0            | LP1 Data 0                                   | D         | PD_10       |
| LP1_D1            | LP1 Data 1                                   | D         | PD_11       |
| LP1_D2            | LP1 Data 2                                   | D         | PD_12       |
| LP1_D3            | LP1 Data 3                                   | D         | PD_13       |
| LP1_D4            | LP1 Data 4                                   | D         | PD_14       |
| LP1_D5            | LP1 Data 5                                   | D         | PD_15       |
| LP1_D6            | LP1 Data 6                                   | A         | PA_09       |

# ADSP-SC570/SC571/SC572/SC573/ADSP-21571/21573

Table 20. ADSP-SC57x/ADSP-2157x 176-Lead LQFP Signal Descriptions (Continued)

| Signal Name                    | Description                 | Port | Pin Name |
|--------------------------------|-----------------------------|------|----------|
| LP1_D7                         | LP1 Data 7                  | D    | PD_09    |
| MLB0_CLK                       | MLB0 Single-Ended Clock     | B    | PB_06    |
| MLB0_CLKOUT                    | MLB0 Single-Ended Clock Out | B    | PB_03    |
| MLB0_DAT                       | MLB0 Single-Ended Data      | B    | PB_04    |
| MLB0_SIG                       | MLB0 Single-Ended Signal    | B    | PB_05    |
| PPIO_CLK                       | EPPIO Clock                 | C    | PC_11    |
| PPIO_D00                       | EPPIO Data 0                | D    | PD_10    |
| PPIO_D01                       | EPPIO Data 1                | D    | PD_11    |
| PPIO_D02                       | EPPIO Data 2                | D    | PD_12    |
| PPIO_D03                       | EPPIO Data 3                | D    | PD_13    |
| PPIO_D04                       | EPPIO Data 4                | D    | PD_14    |
| PPIO_D05                       | EPPIO Data 5                | D    | PD_15    |
| PPIO_D06                       | EPPIO Data 6                | C    | PC_05    |
| PPIO_D07                       | EPPIO Data 7                | D    | PD_09    |
| PPIO_D08                       | EPPIO Data 8                | C    | PC_01    |
| PPIO_D09                       | EPPIO Data 9                | C    | PC_02    |
| PPIO_D10                       | EPPIO Data 10               | C    | PC_03    |
| PPIO_D11                       | EPPIO Data 11               | C    | PC_04    |
| PPIO_FS1                       | EPPIO Frame Sync 1 (HSYNC)  | C    | PC_14    |
| PPIO_FS2                       | EPPIO Frame Sync 2 (VSYNC)  | C    | PC_15    |
| PPIO_FS3                       | EPPIO Frame Sync 3 (FIELD)  | C    | PC_06    |
| SPIO_CLK                       | SPIO Clock                  | C    | PC_01    |
| SPIO_MISO                      | SPIO Master In, Slave Out   | C    | PC_02    |
| SPIO_MOSI                      | SPIO Master Out, Slave In   | C    | PC_03    |
| SPIO_RDY                       | SPIO Ready                  | C    | PC_05    |
| $\overline{\text{SPIO\_SEL1}}$ | SPIO Slave Select Output 1  | C    | PC_04    |
| $\overline{\text{SPIO\_SEL2}}$ | SPIO Slave Select Output 2  | C    | PC_05    |
| $\overline{\text{SPIO\_SEL3}}$ | SPIO Slave Select Output 3  | C    | PC_06    |
| $\overline{\text{SPIO\_SEL4}}$ | SPIO Slave Select Output 4  | A    | PA_09    |
| $\overline{\text{SPIO\_SEL5}}$ | SPIO Slave Select Output 5  | D    | PD_03    |
| $\overline{\text{SPIO\_SEL6}}$ | SPIO Slave Select Output 6  | D    | PD_04    |
| $\overline{\text{SPIO\_SEL7}}$ | SPIO Slave Select Output 7  | D    | PD_05    |
| $\overline{\text{SPIO\_SS}}$   | SPIO Slave Select Input     | C    | PC_04    |
| SPI1_CLK                       | SPI1 Clock                  | C    | PC_07    |
| SPI1_MISO                      | SPI1 Master In, Slave Out   | C    | PC_08    |
| SPI1_MOSI                      | SPI1 Master Out, Slave In   | C    | PC_09    |
| SPI1_RDY                       | SPI1 Ready                  | C    | PC_11    |
| $\overline{\text{SPI1\_SEL1}}$ | SPI1 Slave Select Output 1  | C    | PC_10    |
| $\overline{\text{SPI1\_SEL2}}$ | SPI1 Slave Select Output 2  | C    | PC_11    |
| $\overline{\text{SPI1\_SEL3}}$ | SPI1 Slave Select Output 3  | A    | PA_08    |
| $\overline{\text{SPI1\_SEL4}}$ | SPI1 Slave Select Output 4  | A    | PA_14    |
| $\overline{\text{SPI1\_SEL5}}$ | SPI1 Slave Select Output 5  | B    | PB_02    |
| $\overline{\text{SPI1\_SEL6}}$ | SPI1 Slave Select Output 6  | D    | PD_07    |
| $\overline{\text{SPI1\_SEL7}}$ | SPI1 Slave Select Output 7  | D    | PD_06    |
| $\overline{\text{SPI1\_SS}}$   | SPI1 Slave Select Input     | C    | PC_10    |
| SPI2_CLK                       | SPI2 Clock                  | B    | PB_14    |
| SPI2_D2                        | SPI2 Data 2                 | B    | PB_12    |
| SPI2_D3                        | SPI2 Data 3                 | B    | PB_13    |



# ADSP-SC570/SC571/SC572/SC573/ADSP-21571/21573

**Table 20. ADSP-SC57x/ADSP-2157x 176-Lead LQFP Signal Descriptions (Continued)**

| Signal Name | Description                      | Port           | Pin Name   |
|-------------|----------------------------------|----------------|------------|
| SPI2_MISO   | SPI2 Master In, Slave Out        | B              | PB_10      |
| SPI2_MOSI   | SPI2 Master Out, Slave In        | B              | PB_11      |
| SPI2_RDY    | SPI2 Ready                       | C              | PC_00      |
| SPI2_SEL1   | SPI2 Slave Select Output 1       | B              | PB_15      |
| SPI2_SEL2   | SPI2 Slave Select Output 2       | A              | PA_07      |
| SPI2_SEL3   | SPI2 Slave Select Output 3       | C              | PC_00      |
| SPI2_SEL4   | SPI2 Slave Select Output 4       | D              | PD_08      |
| SPI2_SEL5   | SPI2 Slave Select Output 5       | A              | PA_15      |
| SPI2_SEL6   | SPI2 Slave Select Output n       | A              | PA_10      |
| SPI2_SEL7   | SPI2 Slave Select Output n       | B              | PB_07      |
| SPI2_SS     | SPI2 Slave Select Input          | B              | PB_15      |
| SYS_BMODE0  | Boot Mode Control n              | Not Muxed      | SYS_BMODE0 |
| SYS_BMODE1  | Boot Mode Control n              | Not Muxed      | SYS_BMODE1 |
| SYS_CLKIN0  | Clock/Crystal Input              | Not Muxed      | SYS_CLKIN0 |
| SYS_CLKOUT  | Processor Clock Output           | Not Muxed      | SYS_CLKOUT |
| SYS_FAULT   | Active-High Fault Output         | Not Muxed      | SYS_FAULT  |
| SYS_HWRST   | Processor Hardware Reset Control | Not Muxed      | SYS_HWRST  |
| SYS_RESOUT  | Reset Output                     | Not Muxed      | SYS_RESOUT |
| SYS_XTAL0   | Crystal Output                   | Not Muxed      | SYS_XTAL0  |
| TM0_ACIO    | TIMER0 Alternate Capture Input 0 | A              | PA_06      |
| TM0_AC11    | TIMER0 Alternate Capture Input 1 | A              | PA_08      |
| TM0_AC12    | TIMER0 Alternate Capture Input 2 | C              | PC_12      |
| TM0_AC13    | TIMER0 Alternate Capture Input 3 | C              | PC_14      |
| TM0_AC14    | TIMER0 Alternate Capture Input 4 | C              | PC_13      |
| TM0_AC15    | TIMER0 Alternate Capture Input 5 | Not Applicable | DAI_PB04_O |
| TM0_AC16    | TIMER0 Alternate Capture Input 6 | Not Applicable | DAI_PB19_O |
| TM0_AC17    | TIMER0 Alternate Capture Input 7 | Not Applicable | CNT0_TO    |
| TM0_ACLK1   | TIMER0 Alternate Clock 1         | A              | PA_00      |
| TM0_ACLK2   | TIMER0 Alternate Clock 2         | C              | PC_01      |
| TM0_ACLK3   | TIMER0 Alternate Clock 3         | D              | PD_09      |
| TM0_ACLK4   | TIMER0 Alternate Clock 4         | C              | PC_11      |
| TM0_ACLK5   | TIMER0 Alternate Clock 5         | Not Applicable | DAI_PB03_O |
| TM0_ACLK6   | TIMER0 Alternate Clock 6         | Not Applicable | DAI_PB20_O |
| TM0_ACLK7   | TIMER0 Alternate Clock 7         | Not Applicable | SYS_CLKIN0 |
| TM0_CLK     | TIMER0 Clock                     | C              | PC_03      |
| TM0_TMR0    | TIMER0 Timer 0                   | D              | PD_02      |
| TM0_TMR1    | TIMER0 Timer 1                   | D              | PD_03      |
| TM0_TMR2    | TIMER0 Timer 2                   | D              | PD_04      |
| TM0_TMR3    | TIMER0 Timer 3                   | B              | PB_01      |
| TM0_TMR4    | TIMER0 Timer 4                   | B              | PB_03      |
| TM0_TMR5    | TIMER0 Timer 5                   | C              | PC_15      |
| TM0_TMR7    | TIMER0 Timer 7                   | D              | PD_07      |
| TRACE0_CLK  | TRACE0 Trace Clock               | A              | PA_00      |
| TRACE0_D00  | TRACE0 Trace Data                | A              | PA_01      |
| TRACE0_D01  | TRACE0 Trace Data                | A              | PA_02      |
| TRACE0_D02  | TRACE0 Trace Data                | A              | PA_03      |
| TRACE0_D03  | TRACE0 Trace Data                | A              | PA_04      |
| TRACE0_D04  | TRACE0 Trace Data                | D              | PD_10      |

# ADSP-SC570/SC571/SC572/SC573/ADSP-21571/21573

Table 20. ADSP-SC57x/ADSP-2157x 176-Lead LQFP Signal Descriptions (Continued)

| Signal Name | Description           | Port      | Pin Name |
|-------------|-----------------------|-----------|----------|
| TRACE0_D05  | TRACE0 Trace Data     | D         | PD_11    |
| TRACE0_D06  | TRACE0 Trace Data     | D         | PD_12    |
| TRACE0_D07  | TRACE0 Trace Data 7   | D         | PD_13    |
| TWI0_SCL    | TWI0 Serial Clock     | Not Muxed | TWI0_SCL |
| TWI0_SDA    | TWI0 Serial Data      | Not Muxed | TWI0_SDA |
| TWI1_SCL    | TWI1 Serial Clock     | Not Muxed | TWI1_SCL |
| TWI1_SDA    | TWI1 Serial Data      | Not Muxed | TWI1_SDA |
| TWI2_SCL    | TWI2 Serial Clock     | Not Muxed | TWI2_SCL |
| TWI2_SDA    | TWI2 Serial Data      | Not Muxed | TWI2_SDA |
| UART0_CTS   | UART0 Clear to Send   | D         | PD_06    |
| UART0_RTS   | UART0 Request to Send | D         | PD_05    |
| UART0_RX    | UART0 Receive         | A         | PA_06    |
| UART0_TX    | UART0 Transmit        | A         | PA_05    |
| UART1_CTS   | UART1 Clear to Send   | D         | PD_01    |
| UART1_RTS   | UART1 Request to Send | D         | PD_00    |
| UART1_RX    | UART1 Receive         | A         | PA_08    |
| UART1_TX    | UART1 Transmit        | A         | PA_07    |
| UART2_CTS   | UART2 Clear to Send   | A         | PA_11    |
| UART2_RTS   | UART2 Request to Send | A         | PA_10    |
| UART2_RX    | UART2 Receive         | C         | PC_13    |
| UART2_TX    | UART2 Transmit        | C         | PC_12    |

## GPIO MULTIPLEXING FOR 176-LEAD LQFP PACKAGE

Table 21 through Table 24 identify the pin functions that are multiplexed on the GPIO pins of the 176-lead LQFP package.

**Table 21. Signal Multiplexing for Port A**

| Signal Name | Multiplexed Function 0 | Multiplexed Function 1 | Multiplexed Function 2 | Multiplexed Function 3 | Multiplexed Function Input Tap |
|-------------|------------------------|------------------------|------------------------|------------------------|--------------------------------|
| PA_00       | TRACE0_CLK             |                        |                        |                        | TM0_ACLK1                      |
| PA_01       | TRACE0_D00             |                        |                        |                        |                                |
| PA_02       | TRACE0_D01             |                        |                        |                        |                                |
| PA_03       | TRACE0_D02             |                        |                        |                        |                                |
| PA_04       | TRACE0_D03             |                        |                        |                        |                                |
| PA_05       | UART0_TX               |                        |                        |                        | TM0_ACIO                       |
| PA_06       | UART0_RX               |                        |                        |                        |                                |
| PA_07       | UART1_TX               | SPI2_SEL2              |                        |                        | TM0_AC11                       |
| PA_08       | UART1_RX               | ACM0_A0                | SPI1_SEL3              |                        |                                |
| PA_09       | ETH0_PTPPPS0           | LP1_D6                 | SPI0_SEL4              |                        |                                |
| PA_10       | ETH0_MDIO              | UART2_RTS              | SPI2_SEL6              |                        |                                |
| PA_11       | ETH0_MDC               | UART2_CTS              |                        |                        |                                |
| PA_12       | ETH0_RXD1              |                        |                        |                        |                                |
| PA_13       | ETH0_RXD0              |                        |                        |                        |                                |
| PA_14       | ETH0_RXD2              | ACM0_A3                | SPI1_SEL4              |                        |                                |
| PA_15       | ETH0_RXD3              | ACM0_T0                | SPI2_SEL5              |                        |                                |

**Table 22. Signal Multiplexing for Port B**

| Signal Name | Multiplexed Function 0 | Multiplexed Function 1 | Multiplexed Function 2 | Multiplexed Function 3 | Multiplexed Function Input Tap |
|-------------|------------------------|------------------------|------------------------|------------------------|--------------------------------|
| PB_00       | ETH0_RXCLK_REFCLK      | C2_FLG0                |                        |                        | TM0_TMR3                       |
| PB_01       | ETH0_CRS               | ACM0_A4                | LP1_ACK                |                        |                                |
| PB_02       | ETH0_RXCTL_RXDV        |                        | SPI1_SEL5              |                        |                                |
| PB_03       | ETH0_RXERR             | MLB0_CLKOUT            | LP1_CLK                | TM0_TMR4               |                                |
| PB_04       | ETH0_TXCLK             | MLB0_DAT               |                        |                        |                                |
| PB_05       | ETH0_TXD3              | MLB0_SIG               |                        |                        |                                |
| PB_06       | ETH0_TXD2              | MLB0_CLK               |                        |                        |                                |
| PB_07       | ETH0_TXD0              |                        | SPI2_SEL7              |                        |                                |
| PB_08       | ETH0_TXD1              |                        |                        |                        |                                |
| PB_09       | ETH0_TXCTL_TXEN        |                        |                        |                        |                                |
| PB_10       | SPI2_MISO              |                        |                        |                        | SPI2_SS                        |
| PB_11       | SPI2_MOSI              |                        |                        |                        |                                |
| PB_12       | SPI2_D2                |                        |                        |                        |                                |
| PB_13       | SPI2_D3                |                        |                        |                        |                                |
| PB_14       | SPI2_CLK               |                        |                        |                        |                                |
| PB_15       | SPI2_SEL1              |                        |                        |                        |                                |

# ADSP-SC570/SC571/SC572/SC573/ADSP-21571/21573

Table 23. Signal Multiplexing for Port C

| Signal Name | Multiplexed Function 0 | Multiplexed Function 1 | Multiplexed Function 2 | Multiplexed Function 3 | Multiplexed Function Input Tap |
|-------------|------------------------|------------------------|------------------------|------------------------|--------------------------------|
| PC_00       | SPI2_SEL3              | SPI2_RDY               |                        |                        |                                |
| PC_01       | SPI0_CLK               | PPIO_D08               |                        |                        | TM0_ACLK2                      |
| PC_02       | SPI0_MISO              | PPIO_D09               |                        |                        |                                |
| PC_03       | SPI0_MOSI              | PPIO_D10               |                        |                        | TM0_CLK                        |
| PC_04       | SPI0_SEL1              | PPIO_D11               |                        |                        | SPI0_SS                        |
| PC_05       | SPI0_SEL2              | PPIO_D06               | SPI0_RDY               |                        |                                |
| PC_06       | SPI0_SEL3              | ETH0_COL               | PPIO_FS3               |                        |                                |
| PC_07       | SPI1_CLK               |                        |                        |                        |                                |
| PC_08       | SPI1_MISO              |                        |                        |                        |                                |
| PC_09       | SPI1_MOSI              | C1_FLG2                |                        |                        |                                |
| PC_10       | SPI1_SEL1              | C2_FLG2                |                        |                        | SPI1_SS                        |
| PC_11       | SPI1_SEL2              | PPIO_CLK               | SPI1_RDY               |                        | TM0_ACLK4                      |
| PC_12       | CAN0_RX                |                        | UART2_TX               |                        | TM0_AC12                       |
| PC_13       | CAN0_TX                |                        | UART2_RX               |                        | TM0_AC14                       |
| PC_14       | CAN1_RX                | PPIO_FS1               | ACM0_A1                | C2_FLG1                | TM0_AC13                       |
| PC_15       | CAN1_TX                | PPIO_FS2               | ACM0_A2                | TM0_TMR5               |                                |

Table 24. Signal Multiplexing for Port D

| Signal Name | Multiplexed Function 0 | Multiplexed Function 1 | Multiplexed Function 2 | Multiplexed Function 3 | Multiplexed Function Input Tap |
|-------------|------------------------|------------------------|------------------------|------------------------|--------------------------------|
| PD_00       | C1_FLG0                | UART1_RTS              | CNT0_UD                |                        |                                |
| PD_01       | C1_FLG1                | UART1_CTS              | TM0_TMR6               |                        |                                |
| PD_02       | TM0_TMR0               |                        |                        |                        |                                |
| PD_03       | TM0_TMR1               | SPI0_SEL5              |                        |                        |                                |
| PD_04       | TM0_TMR2               |                        | SPI0_SEL6              |                        |                                |
| PD_05       | SPI0_SEL7              | C2_FLG3                | UART0_RTS              |                        |                                |
| PD_06       | SPI1_SEL7              | C1_FLG3                | UART0_CTS              |                        |                                |
| PD_07       | SPI1_SEL6              | CNT0_ZM                | TM0_TMR7               |                        |                                |
| PD_08       | ETH0_PTPPPS1           | CNT0_DG                | SPI2_SEL4              |                        |                                |
| PD_09       | LP1_D7                 | PPIO_D07               | HADCO_EOC_DOUT         |                        | TM0_ACLK3                      |
| PD_10       | LP1_D0                 | PPIO_D00               | TRACE0_D04             |                        |                                |
| PD_11       | LP1_D1                 | PPIO_D01               | TRACE0_D05             |                        |                                |
| PD_12       | LP1_D2                 | PPIO_D02               | TRACE0_D06             |                        |                                |
| PD_13       | LP1_D3                 | PPIO_D03               | TRACE0_D07             |                        |                                |
| PD_14       | LP1_D4                 | PPIO_D04               | ETH0_PTPAUXIN0         |                        |                                |
| PD_15       | LP1_D5                 | PPIO_D05               | ETH0_PTPAUXIN1         |                        |                                |

# ADSP-SC570/SC571/SC572/SC573/ADSP-21571/21573

## ADSP-SC57x/ADSP-2157x DESIGNER QUICK REFERENCE

Table 25 provides a quick reference summary of pin related information for circuit board design. The columns in this table provide the following information:

- The signal name column includes the signal name for every pin and the GPIO multiplexed pin function, where applicable.
- The type column identifies the I/O type or supply type of the pin. The abbreviations used in this column are analog (a), supply (s), ground (g) and Input, Output, and InOut.
- The driver type column identifies the driver type used by the corresponding pin. The driver types are defined in the [Output Drive Currents](#) section of this data sheet.
- The internal termination column specifies the termination present after the processor is powered up (both during reset and after reset).
- The reset drive column specifies the active drive on the signal when the processor is in the reset state.
- The power domain column specifies the power supply domain in which the signal resides.
- The description and notes column identifies any special requirements or characteristics for a signal. These recommendations apply whether or not the hardware block associated with the signal is featured on the product. If no special requirements are listed, the signal can be left unconnected if it is not used. For multiplexed GPIO pins, this column identifies the functions available on the pin.

**Table 25. ADSP-SC57x/ADSP-2157x Designer Quick Reference**

| Signal Name | Type  | Driver Type | Internal Termination             | Reset Drive | Power Domain | Description and Notes                             |
|-------------|-------|-------------|----------------------------------|-------------|--------------|---|
| DAI0_PIN01  | InOut | A           | Programmable PullUp <sup>1</sup> | none        | VDD_EXT      | Desc: DAI0 Pin 1<br>Notes: See note <sup>2</sup>  |
| DAI0_PIN02  | InOut | A           | Programmable PullUp <sup>1</sup> | none        | VDD_EXT      | Desc: DAI0 Pin 2<br>Notes: See note <sup>2</sup>  |
| DAI0_PIN03  | InOut | A           | Programmable PullUp <sup>1</sup> | none        | VDD_EXT      | Desc: DAI0 Pin 3<br>Notes: See note <sup>2</sup>  |
| DAI0_PIN04  | InOut | A           | Programmable PullUp <sup>1</sup> | none        | VDD_EXT      | Desc: DAI0 Pin 4<br>Notes: See note <sup>2</sup>  |
| DAI0_PIN05  | InOut | A           | Programmable PullUp <sup>1</sup> | none        | VDD_EXT      | Desc: DAI0 Pin 5<br>Notes: See note <sup>2</sup>  |
| DAI0_PIN06  | InOut | A           | Programmable PullUp <sup>1</sup> | none        | VDD_EXT      | Desc: DAI0 Pin 6<br>Notes: See note <sup>2</sup>  |
| DAI0_PIN07  | InOut | A           | Programmable PullUp <sup>1</sup> | none        | VDD_EXT      | Desc: DAI0 Pin 7<br>Notes: See note <sup>2</sup>  |
| DAI0_PIN08  | InOut | A           | Programmable PullUp <sup>1</sup> | none        | VDD_EXT      | Desc: DAI0 Pin 8<br>Notes: See note <sup>2</sup>  |
| DAI0_PIN09  | InOut | A           | Programmable PullUp <sup>1</sup> | none        | VDD_EXT      | Desc: DAI0 Pin 9<br>Notes: See note <sup>2</sup>  |
| DAI0_PIN10  | InOut | A           | Programmable PullUp <sup>1</sup> | none        | VDD_EXT      | Desc: DAI0 Pin 10<br>Notes: See note <sup>2</sup> |
| DAI0_PIN11  | InOut | A           | Programmable PullUp <sup>1</sup> | none        | VDD_EXT      | Desc: DAI0 Pin 11<br>Notes: See note <sup>2</sup> |
| DAI0_PIN12  | InOut | A           | Programmable PullUp <sup>1</sup> | none        | VDD_EXT      | Desc: DAI0 Pin 12<br>Notes: See note <sup>2</sup> |
| DAI0_PIN13  | InOut | A           | Programmable PullUp <sup>1</sup> | none        | VDD_EXT      | Desc: DAI0 Pin 13<br>Notes: See note <sup>2</sup> |
| DAI0_PIN14  | InOut | A           | Programmable PullUp <sup>1</sup> | none        | VDD_EXT      | Desc: DAI0 Pin 14<br>Notes: See note <sup>2</sup> |
| DAI0_PIN15  | InOut | A           | Programmable PullUp <sup>1</sup> | none        | VDD_EXT      | Desc: DAI0 Pin 15<br>Notes: See note <sup>2</sup> |

# ADSP-SC570/SC571/SC572/SC573/ADSP-21571/21573

Table 25. ADSP-SC57x/ADSP-2157x Designer Quick Reference (Continued)

| Signal Name | Type   | Driver Type | Internal Termination             | Reset Drive | Power Domain | Description and Notes                              |
|-------------|--------|-------------|----------------------------------|-------------|--------------|--|
| DAI0_PIN16  | InOut  | A           | Programmable PullUp <sup>1</sup> | none        | VDD_EXT      | Desc: DAI0 Pin 16<br>Notes: See note <sup>2</sup>  |
| DAI0_PIN17  | InOut  | A           | Programmable PullUp <sup>3</sup> | none        | VDD_EXT      | Desc: DAI0 Pin 17<br>Notes: See note <sup>2</sup>  |
| DAI0_PIN18  | InOut  | A           | Programmable PullUp <sup>3</sup> | none        | VDD_EXT      | Desc: DAI0 Pin 18<br>Notes: See note <sup>2</sup>  |
| DAI0_PIN19  | InOut  | A           | Programmable PullUp <sup>3</sup> | none        | VDD_EXT      | Desc: DAI0 Pin 19<br>Notes: See note <sup>2</sup>  |
| DAI0_PIN20  | InOut  | A           | Programmable PullUp <sup>3</sup> | none        | VDD_EXT      | Desc: DAI0 Pin 20<br>Notes: See note <sup>2</sup>  |
| DMC0_A00    | Output | B           | none                             | L           | VDD_DMC      | Desc: DMC0 Address 0<br>Notes: No notes            |
| DMC0_A01    | Output | B           | none                             | L           | VDD_DMC      | Desc: DMC0 Address 1<br>Notes: No notes            |
| DMC0_A02    | Output | B           | none                             | L           | VDD_DMC      | Desc: DMC0 Address 2<br>Notes: No notes            |
| DMC0_A03    | Output | B           | none                             | L           | VDD_DMC      | Desc: DMC0 Address 3<br>Notes: No notes            |
| DMC0_A04    | Output | B           | none                             | L           | VDD_DMC      | Desc: DMC0 Address 4<br>Notes: No notes            |
| DMC0_A05    | Output | B           | none                             | L           | VDD_DMC      | Desc: DMC0 Address 5<br>Notes: No notes            |
| DMC0_A06    | Output | B           | none                             | L           | VDD_DMC      | Desc: DMC0 Address 6<br>Notes: No notes            |
| DMC0_A07    | Output | B           | none                             | L           | VDD_DMC      | Desc: DMC0 Address 7<br>Notes: No notes            |
| DMC0_A08    | Output | B           | none                             | L           | VDD_DMC      | Desc: DMC0 Address 8<br>Notes: No notes            |
| DMC0_A09    | Output | B           | none                             | L           | VDD_DMC      | Desc: DMC0 Address 9<br>Notes: No notes            |
| DMC0_A10    | Output | B           | none                             | L           | VDD_DMC      | Desc: DMC0 Address 10<br>Notes: No notes           |
| DMC0_A11    | Output | B           | none                             | L           | VDD_DMC      | Desc: DMC0 Address 11<br>Notes: No notes           |
| DMC0_A12    | Output | B           | none                             | L           | VDD_DMC      | Desc: DMC0 Address 12<br>Notes: No notes           |
| DMC0_A13    | Output | B           | none                             | L           | VDD_DMC      | Desc: DMC0 Address 13<br>Notes: No notes           |
| DMC0_A14    | Output | B           | none                             | L           | VDD_DMC      | Desc: DMC0 Address 14<br>Notes: No notes           |
| DMC0_A15    | Output | B           | none                             | L           | VDD_DMC      | Desc: DMC0 Address 15<br>Notes: No notes           |
| DMC0_BA0    | Output | B           | none                             | L           | VDD_DMC      | Desc: DMC0 Bank Address Input 0<br>Notes: No notes |
| DMC0_BA1    | Output | B           | none                             | L           | VDD_DMC      | Desc: DMC0 Bank Address Input 1<br>Notes: No notes |
| DMC0_BA2    | Output | B           | none                             | L           | VDD_DMC      | Desc: DMC0 Bank Address Input 2<br>Notes: No notes |

# ADSP-SC570/SC571/SC572/SC573/ADSP-21571/21573

**Table 25. ADSP-SC57x/ADSP-2157x Designer Quick Reference (Continued)**

| Signal Name                   | Type   | Driver Type | Internal Termination | Reset Drive | Power Domain | Description and Notes  |
|-------------------------------|--------|-------------|----------------------|-------------|--------------|--|
| $\overline{\text{DMC0\_CAS}}$ | Output | B           | none                 | L           | VDD_DMC      | Desc: DMC0 Column Address Strobe<br>Notes: No notes  |
| DMC0_CK                       | Output | C           | none                 | L           | VDD_DMC      | Desc: DMC0 Clock<br>Notes: No notes  |
| DMC0_CKE                      | Output | B           | none                 | L           | VDD_DMC      | Desc: DMC0 Clock enable<br>Notes: No notes   |
| $\overline{\text{DMC0\_CK}}$  | Output | C           | none                 | L           | VDD_DMC      | Desc: DMC0 Clock (complement)<br>Notes: No notes   |
| $\overline{\text{DMC0\_CS0}}$ | Output | B           | none                 | L           | VDD_DMC      | Desc: DMC0 Chip Select 0<br>Notes: No notes  |
| DMC0_DQ00                     | InOut  | B           | none                 | none        | VDD_DMC      | Desc: DMC0 Data 0<br>Notes: No notes   |
| DMC0_DQ01                     | InOut  | B           | none                 | none        | VDD_DMC      | Desc: DMC0 Data 1<br>Notes: No notes   |
| DMC0_DQ02                     | InOut  | B           | none                 | none        | VDD_DMC      | Desc: DMC0 Data 2<br>Notes: No notes   |
| DMC0_DQ03                     | InOut  | B           | none                 | none        | VDD_DMC      | Desc: DMC0 Data 3<br>Notes: No notes   |
| DMC0_DQ04                     | InOut  | B           | none                 | none        | VDD_DMC      | Desc: DMC0 Data 4<br>Notes: No notes   |
| DMC0_DQ05                     | InOut  | B           | none                 | none        | VDD_DMC      | Desc: DMC0 Data 5<br>Notes: No notes   |
| DMC0_DQ06                     | InOut  | B           | none                 | none        | VDD_DMC      | Desc: DMC0 Data 6<br>Notes: No notes   |
| DMC0_DQ07                     | InOut  | B           | none                 | none        | VDD_DMC      | Desc: DMC0 Data 7<br>Notes: No notes   |
| DMC0_DQ08                     | InOut  | B           | none                 | none        | VDD_DMC      | Desc: DMC0 Data 8<br>Notes: No notes   |
| DMC0_DQ09                     | InOut  | B           | none                 | none        | VDD_DMC      | Desc: DMC0 Data 9<br>Notes: No notes   |
| DMC0_DQ10                     | InOut  | B           | none                 | none        | VDD_DMC      | Desc: DMC0 Data 10<br>Notes: No notes  |
| DMC0_DQ11                     | InOut  | B           | none                 | none        | VDD_DMC      | Desc: DMC0 Data 11<br>Notes: No notes  |
| DMC0_DQ12                     | InOut  | B           | none                 | none        | VDD_DMC      | Desc: DMC0 Data 12<br>Notes: No notes  |
| DMC0_DQ13                     | InOut  | B           | none                 | none        | VDD_DMC      | Desc: DMC0 Data 13<br>Notes: No notes  |
| DMC0_DQ14                     | InOut  | B           | none                 | none        | VDD_DMC      | Desc: DMC0 Data 14<br>Notes: No notes  |
| DMC0_DQ15                     | InOut  | B           | none                 | none        | VDD_DMC      | Desc: DMC0 Data 15<br>Notes: No notes  |
| DMC0_LDM                      | Output | B           | none                 | L           | VDD_DMC      | Desc: DMC0 Data Mask for Lower Byte<br>Notes: No notes   |
| DMC0_LDQS                     | InOut  | C           | none                 | none        | VDD_DMC      | Desc: DMC0 Data Strobe for Lower Byte<br>Notes: External weak pull-down required in LPDDR mode |

# ADSP-SC570/SC571/SC572/SC573/ADSP-21571/21573

Table 25. ADSP-SC57x/ADSP-2157x Designer Quick Reference (Continued)

| Signal Name                     | Type   | Driver Type | Internal Termination | Reset Drive | Power Domain | Description and Notes   |
|---------------------------------|--------|-------------|----------------------|-------------|--------------|---|
| $\overline{\text{DMC0\_LDQS}}$  | InOut  | C           | none                 | none        | VDD_DMC      | Desc: DMC0 Data Strobe for Lower Byte (complement)<br>Notes: No notes   |
| DMC0_ODT                        | Output | B           | none                 | L           | VDD_DMC      | Desc: DMC0 On-die termination<br>Notes: No notes  |
| $\overline{\text{DMC0\_RAS}}$   | Output | B           | none                 | L           | VDD_DMC      | Desc: DMC0 Row Address Strobe<br>Notes: No notes  |
| $\overline{\text{DMC0\_RESET}}$ | Output | B           | none                 | L           | VDD_DMC      | Desc: DMC0 Reset (DDR3 only)<br>Notes: No notes   |
| DMC0_RZQ                        | a      | B           | none                 | none        | VDD_DMC      | Desc: DMC0 External calibration resistor connection<br>Notes: Applicable for DDR2 and DDR3 only. Pull down using a 34 Ohm resistor. |
| DMC0_UDM                        | Output | B           | none                 | L           | VDD_DMC      | Desc: DMC0 Data Mask for Upper Byte<br>Notes: No notes  |
| DMC0_UDQS                       | InOut  | C           | none                 | none        | VDD_DMC      | Desc: DMC0 Data Strobe for Upper Byte<br>Notes: External weak pull-down required in LPDDR mode                                      |
| $\overline{\text{DMC0\_UDQS}}$  | InOut  | C           | none                 | none        | VDD_DMC      | Desc: DMC0 Data Strobe for Upper Byte (complement)<br>Notes: No notes   |
| DMC0_VREF                       | a      |             | none                 | none        | VDD_DMC      | Desc: DMC0 Voltage Reference<br>Notes: No notes   |
| $\overline{\text{DMC0\_WE}}$    | Output | B           | none                 | L           | VDD_DMC      | Desc: DMC0 Write Enable<br>Notes: No notes  |
| GND                             | g      |             | none                 | none        |              | Desc: Ground<br>Notes: No notes   |
| HADC0_VIN0                      | a      | NA          | none                 | none        | VDD_HADC     | Desc: HADC0 Analog Input at channel 0<br>Notes: Connect to GND through a resistor if not used <sup>4</sup>                          |
| HADC0_VIN1                      | a      | NA          | none                 | none        | VDD_HADC     | Desc: HADC0 Analog Input at channel 1<br>Notes: Connect to GND through a resistor if not used <sup>4</sup>                          |
| HADC0_VIN2                      | a      | NA          | none                 | none        | VDD_HADC     | Desc: HADC0 Analog Input at channel 2<br>Notes: Connect to GND through a resistor if not used <sup>4</sup>                          |
| HADC0_VIN3                      | a      | NA          | none                 | none        | VDD_HADC     | Desc: HADC0 Analog Input at channel 3<br>Notes: Connect to GND through a resistor if not used <sup>4</sup>                          |
| HADC0_VIN4                      | a      | NA          | none                 | none        | VDD_HADC     | Desc: HADC0 Analog Input at channel 4<br>Notes: Connect to GND through a resistor if not used <sup>4</sup>                          |
| HADC0_VIN5                      | a      | NA          | none                 | none        | VDD_HADC     | Desc: HADC0 Analog Input at channel 5<br>Notes: Connect to GND through a resistor if not used <sup>4</sup>                          |
| HADC0_VIN6                      | a      | NA          | none                 | none        | VDD_HADC     | Desc: HADC0 Analog Input at channel 6<br>Notes: Connect to GND through a resistor if not used <sup>4</sup>                          |



# ADSP-SC570/SC571/SC572/SC573/ADSP-21571/21573

**Table 25. ADSP-SC57x/ADSP-2157x Designer Quick Reference (Continued)**

| Signal Name                   | Type   | Driver Type | Internal Termination                                    | Reset Drive  | Power Domain | Description and Notes  |
|-------------------------------|--------|-------------|---|--|--------------|--|
| HADC0_VIN7                    | a      | NA          | none  | none   | VDD_HADC     | Desc: HADC0 Analog Input at channel 7<br>Notes: Connect to GND through a resistor if not used <sup>4</sup> |
| HADC0_VREFN                   | s      | NA          | none  | none   | VDD_HADC     | Desc: HADC0 Ground Reference for ADC<br>Notes: Connect to GND if HADC and TMU are not used                 |
| HADC0_VREFP                   | s      | NA          | none  | none   | VDD_HADC     | Desc: HADC0 External Reference for ADC<br>Notes: No notes  |
| JTG_TCK                       | Input  |             | PullUp  | none   | VDD_EXT      | Desc: JTAG Clock<br>Notes: No notes  |
| JTG_TDI                       | Input  |             | PullUp  | none   | VDD_EXT      | Desc: JTAG Serial Data In<br>Notes: No notes   |
| JTG_TDO                       | Output | A           | none  | High-Z when $\overline{\text{JTG\_TRST}}$ is low, not affected by $\overline{\text{SYS\_HWRST}}$ | VDD_EXT      | Desc: JTAG Serial Data Out<br>Notes: No notes  |
| JTG_TMS                       | InOut  | A           | PullUp  | none   | VDD_EXT      | Desc: JTAG Mode Select<br>Notes: No notes  |
| $\overline{\text{JTG\_TRST}}$ | Input  |             | PullDown  | none   | VDD_EXT      | Desc: JTAG Reset<br>Notes: No notes  |
| MLB0_CLKN                     | Input  | NA          | Internal logic ensures that input signal does not float | none   | VDD_EXT      | Desc: MLB0 Differential Clock (-)<br>Notes: No notes   |
| MLB0_CLKP                     | Input  | NA          | Internal logic ensures that input signal does not float | none   | VDD_EXT      | Desc: MLB0 Differential Clock (+)<br>Notes: No notes   |
| MLB0_DATN                     | InOut  | I           | Internal logic ensures that input signal does not float | none   | VDD_EXT      | Desc: MLB0 Differential Data (-)<br>Notes: No notes  |
| MLB0_DATP                     | InOut  | I           | Internal logic ensures that input signal does not float | none   | VDD_EXT      | Desc: MLB0 Differential Data (+)<br>Notes: No notes  |
| MLB0_SIGN                     | InOut  | I           | Internal logic ensures that input signal does not float | none   | VDD_EXT      | Desc: MLB0 Differential Signal (-)<br>Notes: No notes  |
| MLB0_SIGP                     | InOut  | I           | Internal logic ensures that input signal does not float | none   | VDD_EXT      | Desc: MLB0 Differential Signal (+)<br>Notes: No notes  |
| PA_00                         | InOut  | A           | Programmable PullUp <sup>1</sup>                        | none   | VDD_EXT      | Desc: PORTA Position 0<br>Notes: See note <sup>2</sup>   |
| PA_01                         | InOut  | A           | Programmable PullUp <sup>1</sup>                        | none   | VDD_EXT      | Desc: PORTA Position 1<br>Notes: See note <sup>2</sup>   |
| PA_02                         | InOut  | A           | Programmable PullUp <sup>1</sup>                        | none   | VDD_EXT      | Desc: PORTA Position 2<br>Notes: See note <sup>2</sup>   |
| PA_03                         | InOut  | A           | Programmable PullUp <sup>1</sup>                        | none   | VDD_EXT      | Desc: PORTA Position 3<br>Notes: See note <sup>2</sup>   |
| PA_04                         | InOut  | A           | Programmable PullUp <sup>1</sup>                        | none   | VDD_EXT      | Desc: PORTA Position 4<br>Notes: See note <sup>2</sup>   |

# ADSP-SC570/SC571/SC572/SC573/ADSP-21571/21573

Table 25. ADSP-SC57x/ADSP-2157x Designer Quick Reference (Continued)

| Signal Name | Type  | Driver Type | Internal Termination             | Reset Drive | Power Domain | Description and Notes  |
|-------------|-------|-------------|----------------------------------|-------------|--------------|--|
| PA_05       | InOut | A           | Programmable PullUp <sup>1</sup> | none        | VDD_EXT      | Desc: PORTA Position 5<br>Notes: See note <sup>2</sup>                 |
| PA_06       | InOut | A           | Programmable PullUp <sup>1</sup> | none        | VDD_EXT      | Desc: PORTA Position 6<br>Notes: See note <sup>2</sup>                 |
| PA_07       | InOut | A           | Programmable PullUp <sup>1</sup> | none        | VDD_EXT      | Desc: PORTA Position 7<br>Notes: See note <sup>2</sup>                 |
| PA_08       | InOut | A           | Programmable PullUp <sup>1</sup> | none        | VDD_EXT      | Desc: PORTA Position 8<br>Notes: See note <sup>2</sup>                 |
| PA_09       | InOut | A           | Programmable PullUp <sup>1</sup> | none        | VDD_EXT      | Desc: PORTA Position 9<br>Notes: See note <sup>2</sup>                 |
| PA_10       | InOut | A           | Programmable PullUp <sup>1</sup> | none        | VDD_EXT      | Desc: PORTA Position 10<br>Notes: See note <sup>2</sup>                |
| PA_11       | InOut | A           | Programmable PullUp <sup>1</sup> | none        | VDD_EXT      | Desc: PORTA Position 11<br>Notes: See note <sup>2</sup>                |
| PA_12       | InOut | A           | Programmable PullUp <sup>1</sup> | none        | VDD_EXT      | Desc: PORTA Position 12<br>Notes: See note <sup>2</sup>                |
| PA_13       | InOut | A           | Programmable PullUp <sup>1</sup> | none        | VDD_EXT      | Desc: PORTA Position 13<br>Notes: See note <sup>2</sup>                |
| PA_14       | InOut | A           | Programmable PullUp <sup>1</sup> | none        | VDD_EXT      | Desc: PORTA Position 14<br>Notes: See note <sup>2</sup>                |
| PA_15       | InOut | A           | Programmable PullUp <sup>1</sup> | none        | VDD_EXT      | Desc: PORTA Position 15<br>Notes: See note <sup>2</sup>                |
| PB_00       | InOut | A           | Programmable PullUp <sup>1</sup> | none        | VDD_EXT      | Desc: PORTB Position 0<br>Notes: See note <sup>2</sup>                 |
| PB_01       | InOut | A           | Programmable PullUp <sup>1</sup> | none        | VDD_EXT      | Desc: PORTB Position 1<br>Notes: See note <sup>2</sup>                 |
| PB_02       | InOut | A           | Programmable PullUp <sup>1</sup> | none        | VDD_EXT      | Desc: PORTB Position 2<br>Notes: See note <sup>2</sup>                 |
| PB_03       | InOut | H           | none                             | none        | VDD_EXT      | Desc: PORTB Position 3<br>Notes: Connect to VDD_EXT or GND if not used |
| PB_04       | InOut | H           | none                             | none        | VDD_EXT      | Desc: PORTB Position 4<br>Notes: Connect to VDD_EXT or GND if not used |
| PB_05       | InOut | H           | none                             | none        | VDD_EXT      | Desc: PORTB Position 5<br>Notes: Connect to VDD_EXT or GND if not used |
| PB_06       | InOut | H           | none                             | none        | VDD_EXT      | Desc: PORTB Position 6<br>Notes: Connect to VDD_EXT or GND if not used |
| PB_07       | InOut | H           | none                             | none        | VDD_EXT      | Desc: PORTB Position 7<br>Notes: Connect to VDD_EXT or GND if not used |
| PB_08       | InOut | H           | none                             | none        | VDD_EXT      | Desc: PORTB Position 8<br>Notes: Connect to VDD_EXT or GND if not used |
| PB_09       | InOut | H           | none                             | none        | VDD_EXT      | Desc: PORTB Position 9<br>Notes: Connect to VDD_EXT or GND if not used |

# ADSP-SC570/SC571/SC572/SC573/ADSP-21571/21573

**Table 25. ADSP-SC57x/ADSP-2157x Designer Quick Reference (Continued)**

| Signal Name | Type  | Driver Type | Internal Termination             | Reset Drive | Power Domain | Description and Notes   |
|-------------|-------|-------------|----------------------------------|-------------|--------------|---|
| PB_10       | InOut | H           | none                             | none        | VDD_EXT      | Desc: PORTB Position 10<br>Notes: Connect to VDD_EXT or GND if not used |
| PB_11       | InOut | H           | none                             | none        | VDD_EXT      | Desc: PORTB Position 11<br>Notes: Connect to VDD_EXT or GND if not used |
| PB_12       | InOut | H           | none                             | none        | VDD_EXT      | Desc: PORTB Position 12<br>Notes: Connect to VDD_EXT or GND if not used |
| PB_13       | InOut | H           | none                             | none        | VDD_EXT      | Desc: PORTB Position 13<br>Notes: Connect to VDD_EXT or GND if not used |
| PB_14       | InOut | H           | none                             | none        | VDD_EXT      | Desc: PORTB Position 14<br>Notes: Connect to VDD_EXT or GND if not used |
| PB_15       | InOut | A           | Programmable PullUp <sup>1</sup> | none        | VDD_EXT      | Desc: PORTB Position 15<br>Notes: See note <sup>2</sup>                 |
| PC_00       | InOut | A           | Programmable PullUp <sup>1</sup> | none        | VDD_EXT      | Desc: PORTC Position 0<br>Notes: See note <sup>2</sup>                  |
| PC_01       | InOut | A           | Programmable PullUp <sup>1</sup> | none        | VDD_EXT      | Desc: PORTC Position 1<br>Notes: See note <sup>2</sup>                  |
| PC_02       | InOut | A           | Programmable PullUp <sup>1</sup> | none        | VDD_EXT      | Desc: PORTC Position 2<br>Notes: See note <sup>2</sup>                  |
| PC_03       | InOut | A           | Programmable PullUp <sup>1</sup> | none        | VDD_EXT      | Desc: PORTC Position 3<br>Notes: See note <sup>2</sup>                  |
| PC_04       | InOut | A           | Programmable PullUp <sup>1</sup> | none        | VDD_EXT      | Desc: PORTC Position 4<br>Notes: See note <sup>2</sup>                  |
| PC_05       | InOut | A           | Programmable PullUp <sup>1</sup> | none        | VDD_EXT      | Desc: PORTC Position 5<br>Notes: See note <sup>2</sup>                  |
| PC_06       | InOut | A           | Programmable PullUp <sup>1</sup> | none        | VDD_EXT      | Desc: PORTC Position 6<br>Notes: See note <sup>2</sup>                  |
| PC_07       | InOut | A           | Programmable PullUp <sup>1</sup> | none        | VDD_EXT      | Desc: PORTC Position 7<br>Notes: See note <sup>2</sup>                  |
| PC_08       | InOut | A           | Programmable PullUp <sup>1</sup> | none        | VDD_EXT      | Desc: PORTC Position 8<br>Notes: See note <sup>2</sup>                  |
| PC_09       | InOut | A           | Programmable PullUp <sup>1</sup> | none        | VDD_EXT      | Desc: PORTC Position 9<br>Notes: See note <sup>2</sup>                  |
| PC_10       | InOut | A           | Programmable PullUp <sup>1</sup> | none        | VDD_EXT      | Desc: PORTC Position 10<br>Notes: See note <sup>2</sup>                 |
| PC_11       | InOut | A           | Programmable PullUp <sup>1</sup> | none        | VDD_EXT      | Desc: PORTC Position 11<br>Notes: See note <sup>2</sup>                 |
| PC_12       | InOut | A           | Programmable PullUp <sup>1</sup> | none        | VDD_EXT      | Desc: PORTC Position 12<br>Notes: See note <sup>2</sup>                 |
| PC_13       | InOut | A           | Programmable PullUp <sup>1</sup> | none        | VDD_EXT      | Desc: PORTC Position 13<br>Notes: See note <sup>2</sup>                 |
| PC_14       | InOut | A           | Programmable PullUp <sup>1</sup> | none        | VDD_EXT      | Desc: PORTC Position 14<br>Notes: See note <sup>2</sup>                 |
| PC_15       | InOut | A           | Programmable PullUp <sup>1</sup> | none        | VDD_EXT      | Desc: PORTC Position 15<br>Notes: See note <sup>2</sup>                 |

# ADSP-SC570/SC571/SC572/SC573/ADSP-21571/21573

Table 25. ADSP-SC57x/ADSP-2157x Designer Quick Reference (Continued)

| Signal Name | Type  | Driver Type | Internal Termination             | Reset Drive | Power Domain | Description and Notes  |
|-------------|-------|-------------|----------------------------------|-------------|--------------|--|
| PD_00       | InOut | A           | Programmable PullUp <sup>1</sup> | none        | VDD_EXT      | Desc: PORTD Position 0<br>Notes: See note <sup>2</sup>                 |
| PD_01       | InOut | A           | Programmable PullUp <sup>1</sup> | none        | VDD_EXT      | Desc: PORTD Position 1<br>Notes: See note <sup>2</sup>                 |
| PD_02       | InOut | A           | Programmable PullUp <sup>1</sup> | none        | VDD_EXT      | Desc: PORTD Position 2<br>Notes: See note <sup>2</sup>                 |
| PD_03       | InOut | A           | Programmable PullUp <sup>1</sup> | none        | VDD_EXT      | Desc: PORTD Position 3<br>Notes: See note <sup>2</sup>                 |
| PD_04       | InOut | A           | Programmable PullUp <sup>1</sup> | none        | VDD_EXT      | Desc: PORTD Position 4<br>Notes: See note <sup>2</sup>                 |
| PD_05       | InOut | A           | Programmable PullUp <sup>1</sup> | none        | VDD_EXT      | Desc: PORTD Position 5<br>Notes: See note <sup>2</sup>                 |
| PD_06       | InOut | A           | Programmable PullUp <sup>1</sup> | none        | VDD_EXT      | Desc: PORTD Position 6<br>Notes: See note <sup>2</sup>                 |
| PD_07       | InOut | A           | Programmable PullUp <sup>1</sup> | none        | VDD_EXT      | Desc: PORTD Position 7<br>Notes: See note <sup>2</sup>                 |
| PD_08       | InOut | A           | Programmable PullUp <sup>1</sup> | none        | VDD_EXT      | Desc: PORTD Position 8<br>Notes: See note <sup>2</sup>                 |
| PD_09       | InOut | A           | Programmable PullUp <sup>1</sup> | none        | VDD_EXT      | Desc: PORTD Position 9<br>Notes: See note <sup>2</sup>                 |
| PD_10       | InOut | A           | Programmable PullUp <sup>1</sup> | none        | VDD_EXT      | Desc: PORTD Position 10<br>Notes: See note <sup>2</sup>                |
| PD_11       | InOut | A           | Programmable PullUp <sup>1</sup> | none        | VDD_EXT      | Desc: PORTD Position 11<br>Notes: See note <sup>2</sup>                |
| PD_12       | InOut | A           | Programmable PullUp <sup>1</sup> | none        | VDD_EXT      | Desc: PORTD Position 12<br>Notes: See note <sup>2</sup>                |
| PD_13       | InOut | A           | Programmable PullUp <sup>1</sup> | none        | VDD_EXT      | Desc: PORTD Position 13<br>Notes: See note <sup>2</sup>                |
| PD_14       | InOut | A           | Programmable PullUp <sup>1</sup> | none        | VDD_EXT      | Desc: PORTD Position 14<br>Notes: See note <sup>2</sup>                |
| PD_15       | InOut | A           | Programmable PullUp <sup>1</sup> | none        | VDD_EXT      | Desc: PORTD Position 15<br>Notes: See note <sup>2</sup>                |
| PE_00       | InOut | A           | Programmable PullUp <sup>1</sup> | none        | VDD_EXT      | Desc: PORTE Position 0<br>Notes: See note <sup>2</sup>                 |
| PE_01       | InOut | A           | Programmable PullUp <sup>1</sup> | none        | VDD_EXT      | Desc: PORTE Position 1<br>Notes: See note <sup>2</sup>                 |
| PE_02       | InOut | H           | none                             | none        | VDD_EXT      | Desc: PORTE Position 2<br>Notes: Connect to VDD_EXT or GND if not used |
| PE_03       | InOut | A           | Programmable PullUp <sup>1</sup> | none        | VDD_EXT      | Desc: PORTE Position 3<br>Notes: See note <sup>2</sup>                 |
| PE_04       | InOut | A           | Programmable PullUp <sup>1</sup> | none        | VDD_EXT      | Desc: PORTE Position 4<br>Notes: See note <sup>2</sup>                 |
| PE_05       | InOut | A           | Programmable PullUp <sup>1</sup> | none        | VDD_EXT      | Desc: PORTE Position 5<br>Notes: See note <sup>2</sup>                 |
| PE_06       | InOut | A           | Programmable PullUp <sup>1</sup> | none        | VDD_EXT      | Desc: PORTE Position 6<br>Notes: See note <sup>2</sup>                 |
| PE_07       | InOut | A           | Programmable PullUp <sup>1</sup> | none        | VDD_EXT      | Desc: PORTE Position 7<br>Notes: See note <sup>2</sup>                 |

# ADSP-SC570/SC571/SC572/SC573/ADSP-21571/21573

**Table 25. ADSP-SC57x/ADSP-2157x Designer Quick Reference (Continued)**

| Signal Name | Type  | Driver Type | Internal Termination             | Reset Drive | Power Domain | Description and Notes   |
|-------------|-------|-------------|----------------------------------|-------------|--------------|---|
| PE_08       | InOut | A           | Programmable PullUp <sup>1</sup> | none        | VDD_EXT      | Desc: PORTE Position 8<br>Notes: See note <sup>2</sup>        |
| PE_09       | InOut | A           | Programmable PullUp <sup>1</sup> | none        | VDD_EXT      | Desc: PORTE Position 9<br>Notes: See note <sup>2</sup>        |
| PE_10       | InOut | A           | Programmable PullUp <sup>1</sup> | none        | VDD_EXT      | Desc: PORTE Position 10<br>Notes: See note <sup>2</sup>       |
| PE_11       | InOut | A           | Programmable PullUp <sup>1</sup> | none        | VDD_EXT      | Desc: PORTE Position 11<br>Notes: See note <sup>2</sup>       |
| PE_12       | InOut | A           | Programmable PullUp <sup>1</sup> | none        | VDD_EXT      | Desc: PORTE Position 12<br>Notes: See note <sup>2</sup>       |
| PE_13       | InOut | A           | Programmable PullUp <sup>1</sup> | none        | VDD_EXT      | Desc: PORTE Position 13<br>Notes: See note <sup>2</sup>       |
| PE_14       | InOut | A           | Programmable PullUp <sup>1</sup> | none        | VDD_EXT      | Desc: PORTE Position 14<br>Notes: See note <sup>2</sup>       |
| PE_15       | InOut | A           | Programmable PullUp <sup>1</sup> | none        | VDD_EXT      | Desc: PORTE Position 15<br>Notes: See note <sup>2</sup>       |
| PF_00       | InOut | A           | Programmable PullUp <sup>1</sup> | none        | VDD_EXT      | Desc: PORTF Position 0<br>Notes: See note <sup>2</sup>        |
| PF_01       | InOut | A           | Programmable PullUp <sup>1</sup> | none        | VDD_EXT      | Desc: PORTF Position 1<br>Notes: See note <sup>2</sup>        |
| PF_02       | InOut | A           | Programmable PullUp <sup>1</sup> | none        | VDD_EXT      | Desc: PORTF Position 2<br>Notes: See note <sup>2</sup>        |
| PF_03       | InOut | A           | Programmable PullUp <sup>1</sup> | none        | VDD_EXT      | Desc: PORTF Position 3<br>Notes: See note <sup>2</sup>        |
| PF_04       | InOut | A           | Programmable PullUp <sup>1</sup> | none        | VDD_EXT      | Desc: PORTF Position 4<br>Notes: See note <sup>2</sup>        |
| PF_05       | InOut | A           | Programmable PullUp <sup>1</sup> | none        | VDD_EXT      | Desc: PORTF Position 5<br>Notes: See note <sup>2</sup>        |
| PF_06       | InOut | A           | Programmable PullUp <sup>1</sup> | none        | VDD_EXT      | Desc: PORTF Position 6<br>Notes: See note <sup>2</sup>        |
| PF_07       | InOut | A           | Programmable PullUp <sup>1</sup> | none        | VDD_EXT      | Desc: PORTF Position 7<br>Notes: See note <sup>2</sup>        |
| PF_08       | InOut | A           | Programmable PullUp <sup>1</sup> | none        | VDD_EXT      | Desc: PORTF Position 8<br>Notes: See note <sup>2</sup>        |
| PF_09       | InOut | A           | Programmable PullUp <sup>1</sup> | none        | VDD_EXT      | Desc: PORTF Position 9<br>Notes: See note <sup>2</sup>        |
| PF_10       | InOut | A           | Programmable PullUp <sup>1</sup> | none        | VDD_EXT      | Desc: PORTF Position 10<br>Notes: See note <sup>2</sup>       |
| PF_11       | InOut | A           | Programmable PullUp <sup>1</sup> | none        | VDD_EXT      | Desc: PORTF Position 11<br>Notes: See note <sup>2</sup>       |
| SYS_BMODE0  | Input | NA          | none                             | none        | VDD_EXT      | Desc: Boot Mode Control n<br>Notes: No connection not allowed |
| SYS_BMODE1  | Input | NA          | none                             | none        | VDD_EXT      | Desc: Boot Mode Control n<br>Notes: No connection not allowed |
| SYS_BMODE2  | Input | NA          | none                             | none        | VDD_EXT      | Desc: Boot Mode Control n<br>Notes: No connection not allowed |
| SYS_CLKIN0  | a     | NA          | none                             | none        | VDD_EXT      | Desc: Clock/Crystal Input<br>Notes: No connection not allowed |

# ADSP-SC570/SC571/SC572/SC573/ADSP-21571/21573

Table 25. ADSP-SC57x/ADSP-2157x Designer Quick Reference (Continued)

| Signal Name                     | Type   | Driver Type | Internal Termination | Reset Drive   | Power Domain | Description and Notes   |
|---------------------------------|--------|-------------|----------------------|---|--------------|---|
| SYS_CLKIN1                      | a      | NA          | none                 | none  | VDD_EXT      | Desc: Clock/Crystal Input<br>Notes: Connect to GND if not used                              |
| SYS_CLKOUT                      | a      | H           | none                 | High-Z when $\overline{\text{SYS\_HWRST}}$ and $\overline{\text{JTG\_TRST}}$ are both active <sup>5</sup> | VDD_EXT      | Desc: Processor Clock Output<br>Notes: No notes   |
| SYS_FAULT                       | InOut  | A           | none                 | none  | VDD_EXT      | Desc: Active-High Fault Output<br>Notes: Pull down if not used                              |
| $\overline{\text{SYS\_FAULT}}$  | InOut  | A           | none                 | none  | VDD_EXT      | Desc: Active-Low Fault Output<br>Notes: Pull up if not used                                 |
| $\overline{\text{SYS\_HWRST}}$  | Input  | NA          | none                 | none  | VDD_EXT      | Desc: Processor Hardware Reset Control<br>Notes: No connection not allowed                  |
| $\overline{\text{SYS\_RESOUT}}$ | Output | A           | none                 | High-Z when $\overline{\text{SYS\_HWRST}}$ and $\overline{\text{JTG\_TRST}}$ are both active <sup>5</sup> | VDD_EXT      | Desc: Reset Output<br>Notes: No notes   |
| SYS_XTAL0                       | a      | NA          | none                 | none  | VDD_EXT      | Desc: Crystal Output<br>Notes: No notes   |
| SYS_XTAL1                       | a      | NA          | none                 | none  | VDD_EXT      | Desc: Crystal Output<br>Notes: No notes   |
| TWI0_SCL                        | InOut  | D           | none                 | none  | VDD_EXT      | Desc: TWI0 Serial Clock<br>Notes: Add external pull-up if used. Connect to GND if not used. |
| TWI0_SDA                        | InOut  | D           | none                 | none  | VDD_EXT      | Desc: TWI0 Serial Data<br>Notes: Add external pull-up if used. Connect to GND if not used.  |
| TWI1_SCL                        | InOut  | D           | none                 | none  | VDD_EXT      | Desc: TWI1 Serial Clock<br>Notes: Add external pull-up if used. Connect to GND if not used. |
| TWI1_SDA                        | InOut  | D           | none                 | none  | VDD_EXT      | Desc: TWI1 Serial Data<br>Notes: Add external pull-up if used. Connect to GND if not used.  |
| TWI2_SCL                        | InOut  | D           | none                 | none  | VDD_EXT      | Desc: TWI2 Serial Clock<br>Notes: Add external pull-up if used. Connect to GND if not used. |
| TWI2_SDA                        | InOut  | D           | none                 | none  | VDD_EXT      | Desc: TWI2 Serial Data<br>Notes: Add external pull-up if used. Connect to GND if not used.  |
| USB0_DM                         | InOut  | F           | none                 | none  | VDD_USB      | Desc: USB0 Data-<br>Notes: Add external pull-down if not used <sup>6</sup>                  |
| USB0_DP                         | InOut  | F           | none                 | none  | VDD_USB      | Desc: USB0 Data +<br>Notes: Add external pull-down if not used <sup>6</sup>                 |
| USB0_ID                         | InOut  |             | none                 | none  | VDD_USB      | Desc: USB0 OTG ID<br>Notes: Connect to GND when USB is not used <sup>6</sup>                |

# ADSP-SC570/SC571/SC572/SC573/ADSP-21571/21573

**Table 25. ADSP-SC57x/ADSP-2157x Designer Quick Reference (Continued)**

| Signal Name | Type  | Driver Type | Internal Termination | Reset Drive | Power Domain | Description and Notes  |
|-------------|-------|-------------|----------------------|-------------|--------------|--|
| USB0_VBC    | InOut | E           | none                 | none        | VDD_USB      | Desc: USB0 VBUS Control<br>Notes: Add external pull-down if not used <sup>6</sup>              |
| USB0_VBUS   | InOut | G           | none                 | none        | VDD_USB      | Desc: USB0 Bus Voltage<br>Notes: Connect to GND when USB is not used <sup>6</sup>              |
| USB0_CLKIN  | a     |             | none                 | none        | VDD_USB      | Desc: USB0/USB1 Clock/Crystal Input<br>Notes: Connect to GND when USB is not used <sup>6</sup> |
| USB0_XTAL   | a     |             | none                 | none        | VDD_USB      | Desc: USB0/USB1 Crystal<br>Notes: No notes   |
| VDD_DMC     | s     |             | none                 | none        |              | Desc: DMC VDD<br>Notes: No notes   |
| VDD_EXT     | s     |             | none                 | none        |              | Desc: External Voltage Domain<br>Notes: No notes   |
| VDD_HADC    | s     |             | none                 | none        |              | Desc: HADC/TMU VDD<br>Notes: Can be left floating if HADC and TMU are not used                 |
| VDD_INT     | s     |             | none                 | none        |              | Desc: Internal Voltage Domain<br>Notes: No notes   |
| VDD_USB     | s     |             | none                 | none        |              | Desc: USB VDD<br>Notes: Connect to VDD_EXT when USB is not used                                |

<sup>1</sup> Disabled by default.

<sup>2</sup> Input by default. When unused, terminate externally in hardware or enable the internal pull-up resistor (when applicable) in software. When present, the internal pull-up design holds the internal path from the pins at the expected logic levels. To pull up the external pads to the expected logic levels, use external resistors..

<sup>3</sup> Enabled by default.

<sup>4</sup> All HADC0\_VINx pins can be connected directly to GND if HADC and TMU are not used.

<sup>5</sup> Actively driven by processor otherwise.

<sup>6</sup> Guidance also applies to models that do not feature the associated hardware block. See [Table 2](#) or [Table 3](#) for further information.

# ADSP-SC570/SC571/SC572/SC573/ADSP-21571/21573

## SPECIFICATIONS

For information about product specifications, contact your Analog Devices representative.

### OPERATING CONDITIONS

| Parameter                          | Conditions   | Min  | Nominal                    | Max                         | Unit  |   |
|------------------------------------|--|--|----------------------------|-----------------------------|-------|---|
| V <sub>DD_INT</sub>                | Internal (Core) Supply Voltage                         | CCLK ≤ 450 MHz   | 1.05                       | 1.10                        | 1.15  | V |
|                                    |  | CCLK ≤ 500 MHz   | 1.10                       | 1.15                        | 1.20  | V |
| V <sub>DD_EXT</sub>                | External (I/O) Supply Voltage                          | 3.13   | 3.3                        | 3.47                        | V     |   |
| V <sub>DD_HADC</sub>               | Analog Power Supply Voltage                            | 3.13   | 3.3                        | 3.47                        | V     |   |
| V <sub>DD_DMC</sub> <sup>1</sup>   | DDR2/LPDDR Controller Supply Voltage                   |  | 1.7                        | 1.8                         | 1.9   | V |
|                                    |  | DDR3 Controller Supply Voltage                           | 1.425                      | 1.5                         | 1.575 | V |
| V <sub>DD_USB</sub> <sup>2</sup>   | USB Supply Voltage                                     | 3.13   | 3.3                        | 3.47                        | V     |   |
| V <sub>DDR_VREF</sub>              | DDR2 Reference Voltage<br>Applies to the DMC0_VREF pin | 0.49 × V <sub>DD_DMC</sub>                               | 0.50 × V <sub>DD_DMC</sub> | 0.51 × V <sub>DD_DMC</sub>  | V     |   |
| V <sub>HADC_REF</sub> <sup>3</sup> | HADC Reference Voltage                                 | 2.5  | 3.30                       | V <sub>DD_HADC</sub>        | V     |   |
| V <sub>HADC0_VINX</sub>            | HADC Input Voltage                                     | 0  |                            | V <sub>HADC_REF</sub> + 0.2 | V     |   |
| V <sub>IH</sub> <sup>4</sup>       | High Level Input Voltage                               | V <sub>DD_EXT</sub> = 3.47 V                             |                            |                             | V     |   |
| V <sub>IHTWI</sub> <sup>5,6</sup>  | High Level Input Voltage                               | V <sub>DD_EXT</sub> = 3.47 V                             | 0.7 × V <sub>VBUSTWI</sub> | V <sub>VBUSTWI</sub>        | V     |   |
| V <sub>IL</sub> <sup>4</sup>       | Low Level Input Voltage                                | V <sub>DD_EXT</sub> = 3.13 V                             |                            | 0.8                         | V     |   |
| V <sub>ILTWI</sub> <sup>5,6</sup>  | Low Level Input Voltage                                | V <sub>DD_EXT</sub> = 3.13 V                             |                            | 0.3 × V <sub>VBUSTWI</sub>  | V     |   |
| V <sub>IL_DDR2</sub> <sup>7</sup>  | Low Level Input Voltage                                | V <sub>DD_DMC</sub> = 1.7 V                              |                            | V <sub>REF</sub> - 0.25     | V     |   |
| V <sub>IL_DDR3</sub> <sup>7</sup>  | Low Level Input Voltage                                | V <sub>DD_DMC</sub> = 1.425 V                            |                            | V <sub>REF</sub> - 0.175    | V     |   |
| V <sub>IH_DDR2</sub> <sup>7</sup>  | High Level Input Voltage                               | V <sub>DD_DMC</sub> = 1.9 V                              | V <sub>REF</sub> + 0.25    |                             | V     |   |
| V <sub>IH_DDR3</sub> <sup>7</sup>  | High Level Input Voltage                               | V <sub>DD_DMC</sub> = 1.575 V                            | V <sub>REF</sub> + 0.175   |                             | V     |   |
| V <sub>IL_LPDDR</sub> <sup>8</sup> | Low Level Input Voltage                                | V <sub>DD_DMC</sub> = 1.7 V                              |                            | 0.2 × V <sub>DD_DMC</sub>   | V     |   |
| V <sub>IH_LPDDR</sub> <sup>8</sup> | High Level Input Voltage                               | V <sub>DD_DMC</sub> = 1.9 V                              | 0.8 × V <sub>DD_DMC</sub>  |                             | V     |   |
| T <sub>J</sub>                     | Junction Temperature 400-Ball CSP_BGA                  | T <sub>AMBIENT</sub> = 0°C to +70°C<br>CCLK ≤ 450 MHz    | 0                          | 95                          | °C    |   |
| T <sub>J</sub>                     | Junction Temperature 400-Ball CSP_BGA                  | T <sub>AMBIENT</sub> = -40°C to +100°C<br>CCLK ≤ 450 MHz | -40                        | +125                        | °C    |   |
| T <sub>J</sub>                     | Junction Temperature 176-Lead LQFP-EP                  | T <sub>AMBIENT</sub> = 0°C to +70°C<br>CCLK ≤ 450 MHz    | 0                          | 90                          | °C    |   |
| T <sub>J</sub>                     | Junction Temperature 176-Lead LQFP-EP                  | T <sub>AMBIENT</sub> = -40°C to +105°C<br>CCLK ≤ 450 MHz | -40                        | +125                        | °C    |   |
| T <sub>J</sub>                     | Junction Temperature 400-Ball CSP_BGA                  | T <sub>AMBIENT</sub> = 0°C to +70°C<br>CCLK ≤ 500 MHz    | 0                          | 100                         | °C    |   |
| T <sub>J</sub>                     | Junction Temperature 400-Ball CSP_BGA                  | T <sub>AMBIENT</sub> = -40°C to +95°C<br>CCLK ≤ 500 MHz  | -40                        | +125                        | °C    |   |
| T <sub>J</sub>                     | Junction Temperature 176-Lead LQFP-EP                  | T <sub>AMBIENT</sub> = 0°C to +70°C<br>CCLK ≤ 500 MHz    | 0                          | 95                          | °C    |   |
| T <sub>J</sub>                     | Junction Temperature 176-Lead LQFP-EP                  | T <sub>AMBIENT</sub> = -40°C to +100°C<br>CCLK ≤ 500 MHz | -40                        | +125                        | °C    |   |



# ADSP-SC570/SC571/SC572/SC573/ADSP-21571/21573

| Parameter           |  | Conditions   | Min | Nominal | Max               | Unit |
|---------------------|--|--|-----|---------|-------------------|------|
| AUTOMOTIVE USE ONLY |  |  |     |         |                   |      |
| T <sub>J</sub>      | Junction Temperature 400-Ball CSP_BGA (Automotive Grade) | T <sub>AMBIENT</sub> = -40°C to +105°C<br>CCLK ≤ 450 MHz | -40 |         | +130 <sup>9</sup> | °C   |
| T <sub>J</sub>      | Junction Temperature 176-Lead LQFP-EP (Automotive Grade) | T <sub>AMBIENT</sub> = -40°C to +105°C<br>CCLK ≤ 450 MHz | -40 |         | +125 <sup>9</sup> | °C   |
| T <sub>J</sub>      | Junction Temperature 400-Ball CSP_BGA (Automotive Grade) | T <sub>AMBIENT</sub> = -40°C to +105°C<br>CCLK ≤ 500 MHz | -40 |         | +133 <sup>9</sup> | °C   |
| T <sub>J</sub>      | Junction Temperature 176-Lead LQFP-EP (Automotive Grade) | T <sub>AMBIENT</sub> = -40°C to +105°C<br>CCLK ≤ 500 MHz | -40 |         | +130 <sup>9</sup> | °C   |

<sup>1</sup> Applies to DDR2/DDR3/LPDDR signals.

<sup>2</sup> If not used, V<sub>DD\_USB</sub> must be connected to 3.3 V.

<sup>3</sup> V<sub>HADC\_VREF</sub> must always be less than V<sub>DD\_HADC</sub>.

<sup>4</sup> Parameter value applies to all input and bidirectional pins except the TWI, DMC, USB, and MLB pins.

<sup>5</sup> Parameter applies to TWI signals.

<sup>6</sup> TWI signals are pulled up to V<sub>BUSTWI</sub>. See Table 26.

<sup>7</sup> This parameter applies to all DMC0 signals in DDR2/DDR3 mode. V<sub>REF</sub> is the voltage applied to the V<sub>REF\_DMC</sub> pin, nominally V<sub>DD\_DMC</sub>/2.

<sup>8</sup> This parameter applies to DMC0 signals in LPDDR mode.

<sup>9</sup> Automotive application use profile only. Not supported for nonautomotive use. Contact Analog Devices for more information.

**Table 26. TWI\_VSEL Selections and V<sub>DD\_EXT</sub>/V<sub>BUSTWI</sub>**

| TWI_VSEL Selections | V <sub>DD_EXT</sub> Nominal | V <sub>BUSTWI</sub> |         |      | Unit |
|---------------------|-----------------------------|---------------------|---------|------|------|
|                     |                             | Min                 | Nominal | Max  |      |
| TWI000 <sup>1</sup> | 3.30                        | 3.13                | 3.30    | 3.47 | V    |
| TWI100              | 3.30                        | 4.75                | 5.00    | 5.25 | V    |

<sup>1</sup> Designs must comply with the V<sub>DD\_EXT</sub> and V<sub>BUSTWI</sub> voltages specified for the default TWI\_DT setting for correct JTAG boundary scan operation during reset.

# ADSP-SC570/SC571/SC572/SC573/ADSP-21571/21573

## Clock Related Operating Conditions

Table 27 describes the core clock, system clock, and peripheral clock timing requirements. The data presented in the table applies to all speed grades except where expressly noted.

Table 27. Clock Operating Conditions

| Parameter  | Restriction                                 | Min | Typ | Max   | Unit |
|--|---|-----|-----|-------|------|
| f <sub>CCLK</sub> Core Clock Frequency   | f <sub>CCLK</sub> ≥ f <sub>SYSCLK</sub>     | 100 |     | 500   | MHz  |
| f <sub>SYSCLK</sub> SYSCLK Frequency <sup>1</sup>  |   |     |     | 250   | MHz  |
| f <sub>SCLK0</sub> SCLK0 Frequency <sup>2</sup>  | f <sub>SYSCLK</sub> ≥ f <sub>SCLK0</sub>    | 30  |     | 125   | MHz  |
| f <sub>SCLK1</sub> SCLK1 Frequency   | f <sub>SYSCLK</sub> ≥ f <sub>SCLK1</sub>    |     |     | 125   | MHz  |
| f <sub>DCLK</sub> LPDDR Clock Frequency  |   |     |     | 200   | MHz  |
| f <sub>DCLK</sub> DDR2 Clock Frequency   |   |     |     | 400   | MHz  |
| f <sub>DCLK</sub> DDR3 Clock Frequency   |   |     |     | 450   | MHz  |
| f <sub>OCLK</sub> Output Clock Frequency <sup>3</sup>  |   |     |     | 250   | MHz  |
| f <sub>SYS_CLKOUTJ</sub> SYS_CLKOUT Period Jitter <sup>4, 5</sup>                            |   |     | ±1  |       | %    |
| f <sub>PCLKPROG</sub> Programmed PPI Clock When Transmitting Data and Frame Sync             |   |     |     | 62.5  | MHz  |
| f <sub>PCLKPROG</sub> Programmed PPI Clock When Receiving Data or Frame Sync                 |   |     |     | 50    | MHz  |
| f <sub>PCLKEXT</sub> External PPI Clock When Receiving Data and Frame Sync <sup>6, 7</sup>   | f <sub>PCLKEXT</sub> ≤ f <sub>SCLK0</sub>   |     |     | 62.5  | MHz  |
| f <sub>PCLKEXT</sub> External PPI Clock Transmitting Data or Frame Sync <sup>6, 7</sup>      | f <sub>PCLKEXT</sub> ≤ f <sub>SCLK0</sub>   |     |     | 50    | MHz  |
| f <sub>LCLKTPROG</sub> Programmed Link Port Transmit Clock                                   |   |     |     | 125   | MHz  |
| f <sub>LCLKREXT</sub> External Link Port Receive Clock <sup>6, 7</sup>                       | f <sub>LCLKREXT</sub> ≤ f <sub>SCLK0</sub>  |     |     | 125   | MHz  |
| f <sub>SPTCLKPROG</sub> Programmed SPT Clock When Transmitting Data and Frame Sync           |   |     |     | 62.5  | MHz  |
| f <sub>SPTCLKPROG</sub> Programmed SPT Clock When Receiving Data or Frame Sync               |   |     |     | 31.25 | MHz  |
| f <sub>SPTCLKEXT</sub> External SPT Clock When Receiving Data and Frame Sync <sup>6, 7</sup> | f <sub>SPTCLKEXT</sub> ≤ f <sub>SCLK0</sub> |     |     | 62.5  | MHz  |
| f <sub>SPTCLKEXT</sub> External SPT Clock Transmitting Data or Frame Sync <sup>6, 7</sup>    | f <sub>SPTCLKEXT</sub> ≤ f <sub>SCLK0</sub> |     |     | 31.25 | MHz  |
| f <sub>SPICLKPROG</sub> Programmed SPI2 Clock When Transmitting Data                         |   |     |     | 75    | MHz  |
| f <sub>SPICLKPROG</sub> Programmed SPI0, SPI1 Clock When Transmitting Data                   |   |     |     | 62.5  | MHz  |
| f <sub>SPICLKPROG</sub> Programmed SPI2 Clock When Receiving Data                            |   |     |     | 75    | MHz  |
| f <sub>SPICLKPROG</sub> Programmed SPI0, SPI1 Clock When Receiving Data                      |   |     |     | 62.5  | MHz  |
| f <sub>SPICLKEXT</sub> External SPI2 Clock When Receiving Data <sup>6, 7</sup>               | f <sub>SPICLKEXT</sub> ≤ f <sub>SCLK1</sub> |     |     | 75    | MHz  |
| f <sub>SPICLKEXT</sub> External SPI0, SPI1 Clock When Receiving Data <sup>6, 7</sup>         | f <sub>SPICLKEXT</sub> ≤ f <sub>SCLK0</sub> |     |     | 62.5  | MHz  |
| f <sub>SPICLKEXT</sub> External SPI2 Clock When Transmitting Data <sup>6, 7</sup>            | f <sub>SPICLKEXT</sub> ≤ f <sub>SCLK1</sub> |     |     | 45    | MHz  |
| f <sub>SPICLKEXT</sub> External SPI0, SPI1 Clock When Transmitting Data <sup>6, 7</sup>      | f <sub>SPICLKEXT</sub> ≤ f <sub>SCLK0</sub> |     |     | 62.5  | MHz  |
| f <sub>ACLKPROG</sub> Programmed ACM Clock   |   |     |     | 56.25 | MHz  |

<sup>1</sup> When using MLB, there is a requirement that the f<sub>SYSCLK</sub> value must be a minimum of 100 MHz for both 3-pin and 6-pin modes and for all supported speeds.

<sup>2</sup> The minimum frequency for SCLK0 applies only when using the USB.

<sup>3</sup> f<sub>OCLK</sub> must not exceed f<sub>SCLK0</sub> when selected as SYS\_CLKOUT.

<sup>4</sup> SYS\_CLKOUT jitter is dependent on the application system design including pin switching activity, board layout, and the jitter characteristics of the SYS\_CLKIN source. Due to the dependency on these factors, the measured jitter can be higher or lower than this typical specification for each end application.

<sup>5</sup> The value in the Typ field is the percentage of the SYS\_CLKOUT period.

<sup>6</sup> The maximum achievable frequency for any peripheral in external clock mode is dependent on being able to meet the setup and hold times in the ac timing specifications section for that peripheral.

<sup>7</sup> The peripheral external clock frequency must also be less than or equal to the f<sub>SCLK</sub> (f<sub>SCLK0</sub> or f<sub>SCLK1</sub>) that clocks the peripheral.

# ADSP-SC570/SC571/SC572/SC573/ADSP-21571/21573

Table 28. PLL Operating Conditions

| Parameter    |                     | Min | Max  | Unit |
|--------------|---------------------|-----|------|------|
| $f_{PLLCLK}$ | PLL Clock Frequency | 200 | 1000 | MHz  |

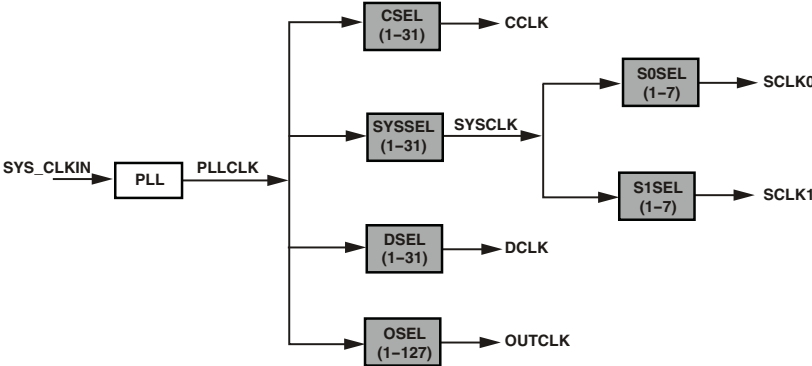


Figure 7. Clock Relationships and Divider Values

# ADSP-SC570/SC571/SC572/SC573/ADSP-21571/21573

## ELECTRICAL CHARACTERISTICS

| Parameter         | Conditions  | Min  | Typ   | Max  | Unit          |
|-------------------|---|--|-------|------|---------------|
| $V_{OH}^1$        | High Level Output Voltage                           | At $V_{DD\_EXT}$ = minimum, $I_{OH} = -1.0 \text{ mA}^2$   | 2.4   |      | V             |
| $V_{OL}^1$        | Low Level Output Voltage                            | At $V_{DD\_EXT}$ = minimum, $I_{OL} = 1.0 \text{ mA}^2$  |       | 0.4  | V             |
| $V_{OH\_DDR2}^3$  | High Level Output Voltage for DDR2 DS = 40 $\Omega$ | At $V_{DD\_DDR}$ = minimum, $I_{OH} = -5.8 \text{ mA}$   | 1.38  |      | V             |
| $V_{OL\_DDR2}^3$  | Low Level Output Voltage for DDR2 DS = 40 $\Omega$  | At $V_{DD\_DDR}$ = minimum, $I_{OL} = 5.8 \text{ mA}$  |       | 0.32 | V             |
| $V_{OH\_DDR2}^3$  | High Level Output Voltage for DDR2 DS = 60 $\Omega$ | At $V_{DD\_DDR}$ = minimum, $I_{OH} = -3.4 \text{ mA}$   | 1.38  |      | V             |
| $V_{OL\_DDR2}^3$  | Low Level Output Voltage for DDR2 DS = 60 $\Omega$  | At $V_{DD\_DDR}$ = minimum, $I_{OL} = 3.4 \text{ mA}$  |       | 0.32 | V             |
| $V_{OH\_DDR3}^4$  | High Level Output Voltage for DDR3 DS = 40 $\Omega$ | At $V_{DD\_DDR}$ = minimum, $I_{OH} = -5.8 \text{ mA}$   | 1.105 |      | V             |
| $V_{OL\_DDR3}^4$  | Low Level Output Voltage for DDR3 DS = 40 $\Omega$  | At $V_{DD\_DDR}$ = minimum, $I_{OL} = 5.8 \text{ mA}$  |       | 0.32 | V             |
| $V_{OH\_DDR3}^4$  | High Level Output Voltage for DDR3 DS = 60 $\Omega$ | At $V_{DD\_DDR}$ = minimum, $I_{OH} = -3.4 \text{ mA}$   | 1.105 |      | V             |
| $V_{OL\_DDR3}^4$  | Low Level Output Voltage for DDR3 DS = 60 $\Omega$  | At $V_{DD\_DDR}$ = minimum, $I_{OL} = 3.4 \text{ mA}$  |       | 0.32 | V             |
| $V_{OH\_LPDDR}^5$ | High Level Output Voltage for LPDDR                 | At $V_{DD\_DDR}$ = minimum, $I_{OH} = -6.0 \text{ mA}$   | 1.38  |      | V             |
| $V_{OL\_LPDDR}^5$ | Low Level Output Voltage for LPDDR                  | At $V_{DD\_DDR}$ = minimum, $I_{OL} = 6.0 \text{ mA}$  |       | 0.32 | V             |
| $I_{IH}^{6,7}$    | High Level Input Current                            | At $V_{DD\_EXT}$ = maximum, $V_{IN} = V_{DD\_EXT}$ maximum   |       | 10   | $\mu\text{A}$ |
| $I_{IL}^6$        | Low Level Input Current                             | At $V_{DD\_EXT}$ = maximum, $V_{IN} = 0 \text{ V}$   |       | 10   | $\mu\text{A}$ |
| $I_{IL\_PU}^7$    | Low Level Input Current Pull-Up                     | At $V_{DD\_EXT}$ = maximum, $V_{IN} = 0 \text{ V}$   |       | 200  | $\mu\text{A}$ |
| $I_{IH\_PD}^8$    | High Level Input Current Pull-Down                  | At $V_{DD\_EXT}$ = maximum, $V_{IN} = V_{DD\_EXT}$ maximum   |       | 200  | $\mu\text{A}$ |
| $I_{OZH}^9$       | Three-State Leakage Current                         | At $V_{DD\_EXT}/V_{DD\_DDR}$ = maximum, $V_{IN} = V_{DD\_EXT}/V_{DD\_DDR}$ maximum   |       | 10   | $\mu\text{A}$ |
| $I_{OZL}^9$       | Three-State Leakage Current                         | At $V_{DD\_EXT}/V_{DD\_DDR}$ = maximum, $V_{IN} = 0 \text{ V}$   |       | 10   | $\mu\text{A}$ |
| $C_{IN}^{10}$     | Input Capacitance                                   | $T_{CASE} = 25^\circ\text{C}$  |       | 5    | pF            |
| $I_{DD\_IDLE}$    | $V_{DD\_INT}$ Current in Idle                       | $f_{CLK} = 450 \text{ MHz}$<br>$ASF_{SHARC1} = 0.32$<br>$ASF_{SHARC2} = 0.32$<br>$ASF_{A5} = 0.25$<br>$f_{SYSCLK} = 225 \text{ MHz}$<br>$f_{SCLK0/1} = 112.5 \text{ MHz}$<br>(Other clocks are disabled)<br>No Peripheral or DMA activity<br>$T_J = 25^\circ\text{C}$<br>$V_{DD\_INT} = 1.1 \text{ V}$ | 410   |      | mA            |

# ADSP-SC570/SC571/SC572/SC573/ADSP-21571/21573

| Parameter   | Conditions  | Min | Typ  | Max   | Unit |
|---|---|-----|------|---|------|
| I <sub>DD_IDLE</sub> V <sub>DD_INT</sub> Current in Idle      | f <sub>CCLK</sub> = 500 MHz<br>ASF <sub>SHARC1</sub> = 0.32<br>ASF <sub>SHARC2</sub> = 0.32<br>ASF <sub>A5</sub> = 0.25<br>f <sub>SYSCLK</sub> = 250 MHz<br>f <sub>SCLK0/1</sub> = 125 MHz<br>(Other clocks are disabled)<br>No Peripheral or DMA activity<br>T <sub>J</sub> = 25°C<br>V <sub>DD_INT</sub> = 1.15 V |     | 477  |   | mA   |
| I <sub>DD_TYP</sub> V <sub>DD_INT</sub> Current               | f <sub>CCLK</sub> = 450 MHz<br>ASF <sub>SHARC1</sub> = 1.0<br>ASF <sub>SHARC2</sub> = 1.0<br>ASF <sub>A5</sub> = 0.67<br>f <sub>SYSCLK</sub> = 225 MHz<br>f <sub>SCLK0/1</sub> = 112.5 MHz<br>(Other clocks are disabled)<br>DMA data rate = 600 MB/s<br>T <sub>J</sub> = 25°C<br>V <sub>DD_INT</sub> = 1.1 V       |     | 890  |   | mA   |
| I <sub>DD_TYP</sub> V <sub>DD_INT</sub> Current               | f <sub>CCLK</sub> = 500 MHz<br>ASF <sub>SHARC1</sub> = 1.0<br>ASF <sub>SHARC2</sub> = 1.0<br>ASF <sub>A5</sub> = 0.67<br>f <sub>SYSCLK</sub> = 250 MHz<br>f <sub>SCLK0/1</sub> = 125 MHz<br>(Other clocks are disabled)<br>DMA data rate = 600 MB/s<br>T <sub>J</sub> = 25°C<br>V <sub>DD_INT</sub> = 1.15 V        |     | 1031 |   | mA   |
| I <sub>DD_INT</sub> <sup>11</sup> V <sub>DD_INT</sub> Current | f <sub>CCLK</sub> > 0 MHz<br>f <sub>SCLK0/1</sub> ≥ 0 MHz   |     |      | See I <sub>DD_INT_TOT</sub> equation in the <a href="#">Total Internal Power Dissipation</a> section. | mA   |

<sup>1</sup> Applies to all output and bidirectional pins except TWI, DMC, USB, and MLB.

<sup>2</sup> See the [Output Drive Currents](#) section for typical drive current capabilities.

<sup>3</sup> Applies to all DMC output and bidirectional signals in DDR2 mode.

<sup>4</sup> Applies to all DMC output and bidirectional signals in DDR3 mode.

<sup>5</sup> Applies to all DMC output and bidirectional signals in LPDDR mode.

<sup>6</sup> Applies to input pins: SYS\_BMODE0-2, SYS\_CLKIN0, SYS\_CLKIN1, SYS\_HWRST, JTG\_TDI, JTG\_TMS, and USB0\_CLKIN.

<sup>7</sup> Applies to input pins with internal pull-ups: JTG\_TDI, JTG\_TMS, and JTG\_TCK.

<sup>8</sup> Applies to signals: JTAG\_TRST, USB0\_VBUS.

<sup>9</sup> Applies to signals: PA0-15, PB0-15, PC0-15, PD0-15, PE0-15, PF0-11, DA10\_PINx, DMC0\_DQx, DMC0\_LDQS, DMC0\_UDQS, DMC0\_LDQS, DMC0\_UDQS, SYS\_FAULT, SYS\_FAULT, JTG\_TDO, USB0\_ID, USB0\_DM, USB0\_DP, and USB0\_VBC.

<sup>10</sup> Applies to all signal pins.

<sup>11</sup> See “[Estimating Power for ADSP-SC57x/2157x SHARC+ Processors](#)” (EE-397) for further information.

# ADSP-SC570/SC571/SC572/SC573/ADSP-21571/21573

## Total Internal Power Dissipation

Total power dissipation has two components:

1. Static, including leakage current
2. Dynamic, due to transistor switching characteristics for each clock domain

Many operating conditions can also affect power dissipation, including temperature, voltage, operating frequency, and processor activity. The following equation describes the internal current consumption.

$$I_{DD\_INT\_TOT} = I_{DD\_INT\_STATIC} + I_{DD\_INT\_CCLK\_SHARC1\_DYN} + I_{DD\_INT\_CCLK\_SHARC2\_DYN} + I_{DD\_INT\_CCLK\_A5\_DYN} + I_{DD\_INT\_DCLK\_DYN} + I_{DD\_INT\_SYSCLK\_DYN} + I_{DD\_INT\_SCLK0\_DYN} + I_{DD\_INT\_SCLK1\_DYN} + I_{DD\_INT\_OCLK\_DYN} + I_{DD\_INT\_ACCL\_DYN} + I_{DD\_INT\_USB\_DYN} + I_{DD\_INT\_MLB\_DYN} + I_{DD\_INT\_EMAC\_DYN} + I_{DD\_INT\_DMA\_DR\_DYN}$$

$I_{DD\_INT\_STATIC}$  is the sole contributor to the static power dissipation component and is specified as a function of voltage ( $V_{DD\_INT}$ ) and junction temperature ( $T_J$ ) in Table 29.

**Table 29. Static Current— $I_{DD\_INT\_STATIC}$  (mA)**

| $T_J$ (°C) | Voltage ( $V_{DD\_INT}$ ) |      |      |      |
|------------|---------------------------|------|------|------|
|            | 1.05                      | 1.10 | 1.15 | 1.20 |
| -40        | 4                         | 5    | 6    | 7    |
| -20        | 6                         | 8    | 9    | 11   |
| -10        | 8                         | 10   | 12   | 14   |
| 0          | 11                        | 13   | 16   | 18   |
| +10        | 15                        | 17   | 20   | 24   |
| +25        | 22                        | 26   | 30   | 35   |
| +40        | 34                        | 39   | 45   | 52   |
| +55        | 50                        | 57   | 66   | 76   |
| +70        | 74                        | 84   | 95   | 109  |
| +85        | 107                       | 121  | 137  | 155  |
| +100       | 153                       | 172  | 194  | 218  |
| +105       | 173                       | 195  | 219  | 246  |
| +115       | 217                       | 243  | 273  | 305  |
| +125       | 271                       | 302  | 338  | 377  |
| +133       | 323                       | 359  | 400  | 446  |

The other 13 addends in the  $I_{DD\_INT\_TOT}$  equation comprise the dynamic power dissipation component and fall into four broad categories: application-dependent currents, clock currents, currents from high speed peripheral operation, and data transmission currents.

## Application Dependent Current

The application dependent currents include the dynamic current in the core clock domain of the two SHARC+ cores and the ARM Cortex-A5 core, as well as the dynamic current in the accelerator block.

Dynamic current consumed by the core is subject to an activity scaling factor (ASF) that represents application code running on the processor cores (see Table 30 and Table 31). The ASF is combined with the CCLK frequency and  $V_{DD\_INT}$  dependent dynamic current data in Table 32 and Table 33, respectively, to calculate this portion of the total dynamic power dissipation component.

$$I_{DD\_INT\_CCLK\_SHARC1\_DYN} = \text{Table 32} \times ASF_{SHARC1}$$

$$I_{DD\_INT\_CCLK\_SHARC2\_DYN} = \text{Table 32} \times ASF_{SHARC2}$$

$$I_{DD\_INT\_CCLK\_A5\_DYN} = \text{Table 33} \times ASF_{A5}$$

**Table 30. Activity Scaling Factors for the SHARC+® Core 1 and Core 2 ( $ASF_{SHARC1}$  and  $ASF_{SHARC2}$ )**

| $I_{DD\_INT}$ Power Vector | ASF  |
|----------------------------|------|
| $I_{DD\_IDLE}$             | 0.32 |
| $I_{DD\_NOP}$              | 0.55 |
| $I_{DD\_TYP\_3070}$        | 0.75 |
| $I_{DD\_TYP\_5050}$        | 0.88 |
| $I_{DD\_TYP\_7030}$        | 1.00 |
| $I_{DD\_PEAK\_100}$        | 1.13 |

**Table 31. Activity Scaling Factors for the ARM® Cortex®-A5 Core ( $ASF_{A5}$ )**

| $I_{DD\_INT}$ Power Vector | ASF  |
|----------------------------|------|
| $I_{DD\_IDLE}$             | 0.25 |
| $I_{DD\_DHRYSTONE}$        | 0.67 |
| $I_{DD\_TYP\_2575}$        | 0.53 |
| $I_{DD\_TYP\_5050}$        | 0.75 |
| $I_{DD\_TYP\_7525}$        | 1.00 |
| $I_{DD\_PEAK\_100}$        | 1.27 |

# ADSP-SC570/SC571/SC572/SC573/ADSP-21571/21573

**Table 32. Dynamic Current for Each SHARC+® Core (mA, with ASF = 1.00)<sup>1</sup>**

| f <sub>CCLK</sub> (MHz) | Voltage (V <sub>DD_INT</sub> ) |      |      |      |
|-------------------------|--------------------------------|------|------|------|
|                         | 1.05                           | 1.10 | 1.15 | 1.20 |
| 500                     | N/A                            | 347  | 362  | 378  |
| 450                     | 298                            | 312  | 326  | 340  |
| 400                     | 265                            | 277  | 290  | 302  |
| 350                     | 232                            | 243  | 254  | 265  |
| 300                     | 198                            | 208  | 217  | 227  |
| 250                     | 165                            | 173  | 181  | 189  |
| 200                     | 132                            | 139  | 145  | 151  |
| 150                     | 99                             | 104  | 109  | 113  |
| 100                     | 66                             | 69   | 72   | 76   |

<sup>1</sup>N/A means not applicable.

**Table 33. Dynamic Current for the ARM® Cortex®-A5 Core (mA, with ASF = 1.00)<sup>1</sup>**

| f <sub>CCLK</sub> (MHz) | Voltage (V <sub>DD_INT</sub> ) |      |      |      |
|-------------------------|--------------------------------|------|------|------|
|                         | 1.05                           | 1.10 | 1.15 | 1.20 |
| 500                     | N/A                            | 88   | 92   | 96   |
| 450                     | 76                             | 79   | 83   | 86   |
| 400                     | 67                             | 70   | 74   | 77   |
| 350                     | 59                             | 62   | 64   | 67   |
| 300                     | 50                             | 53   | 55   | 58   |
| 250                     | 42                             | 44   | 46   | 48   |
| 200                     | 34                             | 35   | 37   | 39   |
| 150                     | 25                             | 26   | 28   | 29   |
| 100                     | 17                             | 18   | 18   | 19   |

<sup>1</sup>N/A means not applicable.

## Clock Current

The dynamic clock currents provide the total power dissipated by all transistors switching in the clock paths. The power dissipated by each clock domain is dependent on voltage (V<sub>DD\_INT</sub>), operating frequency, and a unique scaling factor.

$$I_{DD\_INT\_SYSCLK\_DYN} \text{ (mA)} = 0.52 \times f_{SYSCLK} \text{ (MHz)} \times V_{DD\_INT} \text{ (V)}$$

$$I_{DD\_INT\_SCLK0\_DYN} \text{ (mA)} = 0.28 \times f_{SCLK0} \text{ (MHz)} \times V_{DD\_INT} \text{ (V)}$$

$$I_{DD\_INT\_SCLK1\_DYN} \text{ (mA)} = 0.013 \times f_{SCLK1} \text{ (MHz)} \times V_{DD\_INT} \text{ (V)}$$

$$I_{DD\_INT\_DCLK\_DYN} \text{ (mA)} = 0.08 \times f_{DCLK} \text{ (MHz)} \times V_{DD\_INT} \text{ (V)}$$

$$I_{DD\_INT\_OCLK\_DYN} \text{ (mA)} = 0.015 \times f_{OCLK} \text{ (MHz)} \times V_{DD\_INT} \text{ (V)}$$

## Current from High Speed Peripheral Operation

The following modules contribute significantly to power dissipation, and a single term is added when they are used.

$$I_{DD\_INT\_USB\_DYN} = 9.6 \text{ mA (if USB is enabled in HS mode)}$$

$$I_{DD\_INT\_MLB\_DYN} = 10 \text{ mA (if MLB 6-pin interface is enabled)}$$

$$I_{DD\_INT\_EMAC\_DYN} = 10 \text{ mA (if EMAC is enabled)}$$

## Data Transmission Current

The data transmission current represents the power dissipated when moving data throughout the system via DMA. This current is proportional to the data rate. Refer to the power calculator available with “[Estimating Power for ADSP-SC57x/2157x SHARC+ Processors](#)” (EE-397) to estimate I<sub>DD\_INT\_DMA\_DR\_DYN</sub> based on the bandwidth of the data transfer.

# ADSP-SC570/SC571/SC572/SC573/ADSP-21571/21573

## HADC

### HADC Electrical Characteristics

Table 34. HADC Electrical Characteristics

| Parameter                      | Conditions  | Typ | Unit |
|--------------------------------|---|-----|------|
| I <sub>DD_HADC_IDLE</sub>      | Current consumption on V <sub>DD_HADC</sub><br>HADC is powered on, but not converting       | 2.0 | mA   |
| I <sub>DD_HADC_ACTIVE</sub>    | Current consumption on V <sub>DD_HADC</sub> during a conversion                             | 2.5 | mA   |
| I <sub>DD_HADC_POWERDOWN</sub> | Current consumption on V <sub>DD_HADC</sub><br>Analog circuitry of the HADC is powered down | 60  | μA   |

### HADC DC Accuracy

Table 35. HADC DC Accuracy for CSP\_BGA<sup>1</sup>

| Parameter  | Typ | Unit <sup>2</sup> |
|--|-----|-------------------|
| Resolution   | 9   | Bits              |
| No Missing Codes (NMC) – Unrestricted                  | 9   | Bits              |
| No Missing Codes (NMC) – Pin Restrictions <sup>3</sup> | 10  | Bits              |
| Integral Nonlinearity (INL)                            | ±2  | LSB               |
| Differential Nonlinearity (DNL)                        | ±2  | LSB               |
| Offset Error   | ±5  | LSB               |
| Offset Error Matching                                  | ±6  | LSB               |
| Gain Error   | ±4  | LSB               |
| Gain Error Matching                                    | ±4  | LSB               |

<sup>1</sup> See the [Operating Conditions](#) section for the HADC0\_VINx specification.

<sup>2</sup> LSB = HADC0\_VREFP ÷ 512.

<sup>3</sup> Pin restrictions required: pins DAI18, DAI19, and DAI20 must be programmed to inputs and a static (non-switching) signal applied to the pins.

Table 36. HADC DC Accuracy for LQFP\_EP<sup>1</sup>

| Parameter  | Typ | Unit <sup>2</sup> |
|--|-----|-------------------|
| Resolution   | 7   | Bits              |
| No Missing Codes (NMC) – Unrestricted                  | 7   | Bits              |
| No Missing Codes (NMC) – Pin Restrictions <sup>3</sup> | 9   | Bits              |
| Integral Nonlinearity (INL)                            | ±2  | LSB               |
| Differential Nonlinearity (DNL)                        | ±2  | LSB               |
| Offset Error   | ±5  | LSB               |
| Offset Error Matching                                  | ±6  | LSB               |
| Gain Error   | ±4  | LSB               |
| Gain Error Matching                                    | ±4  | LSB               |

<sup>1</sup> See the [Operating Conditions](#) section for the HADC0\_VINx specification.

<sup>2</sup> LSB = HADC0\_VREFP ÷ 128.

<sup>3</sup> Pin restrictions required: pins DAI18, DAI19, and DAI20 must be programmed to inputs and a static (non-switching) signal applied to the pins.

### HADC Timing Specifications

Table 37. HADC Timing Specifications

| Parameter                    | Typ                      | Max | Unit |
|------------------------------|--------------------------|-----|------|
| Conversion Time <sup>1</sup> | 20 × T <sub>SAMPLE</sub> |     | μs   |
| Throughput Range             |                          | 1   | MSPS |
| T <sub>WAKEUP</sub>          |                          | 100 | μs   |

<sup>1</sup> Refer to the [ADSP-SC57x/ADSP-2157x SHARC+ Processor Hardware Reference](#) for additional information about T<sub>SAMPLE</sub>.

## TMU

### TMU Characteristics

Table 38. TMU Characteristics

| Parameter  | Typ | Unit |
|------------|-----|------|
| Resolution | 1   | °C   |
| Accuracy   | ±8  | °C   |

Table 39. TMU Gain and Offset

| Junction Temperature Range | TMU_GAIN                     | TMU_OFFSET                   |
|----------------------------|------------------------------|------------------------------|
| –40°C to +40°C             | Contact Analog Devices, Inc. | Contact Analog Devices, Inc. |
| 40°C to 85°C               | Contact Analog Devices, Inc. | Contact Analog Devices, Inc. |
| 85°C to 133°C              | Contact Analog Devices, Inc. | Contact Analog Devices, Inc. |



# ADSP-SC570/SC571/SC572/SC573/ADSP-21571/21573

## ABSOLUTE MAXIMUM RATINGS

Stresses at or above those listed in [Table 40](#) may cause permanent damage to the product. This is a stress rating only; functional operation of the product at these or any other conditions above those indicated in the operational section of this specification is not implied. Operation beyond the maximum operating conditions for extended periods may affect product reliability.

**Table 40. Absolute Maximum Ratings**

| Parameter  | Rating                           |
|--|----------------------------------|
| Internal (Core) Supply Voltage ( $V_{DD\_INT}$ )       | -0.33 V to +1.26 V               |
| External (I/O) Supply Voltage ( $V_{DD\_EXT}$ )        | -0.33 V to +3.60 V               |
| DDR2/LPDDR Controller Supply Voltage ( $V_{DD\_DMC}$ ) | -0.33 V to +1.90 V               |
| DDR3 Controller Supply Voltage ( $V_{DD\_DMC}$ )       | -0.33 V to +1.60 V               |
| DDR2 Reference Voltage ( $V_{DDR\_VREF}$ )             | -0.33 V to +1.90 V               |
| USB PHY Supply Voltage ( $V_{DD\_USB}$ )               | -0.33 V to +3.60 V               |
| HADC Supply Voltage ( $V_{DD\_HADC}$ )                 | -0.33 V to +3.60 V               |
| HADC Reference Voltage ( $V_{HADC\_REF}$ )             | -0.33 V to +3.60 V               |
| DDR2/LPDDR Input Voltage <sup>1</sup>                  | -0.33 V to +1.90 V               |
| DDR3 Input Voltage <sup>1</sup>                        | -0.33 V to +1.60 V               |
| Digital Input Voltage <sup>1,2</sup>                   | -0.33 V to +3.60 V               |
| TWI Input Voltage <sup>1,3</sup>                       | -0.33 V to +5.50 V               |
| USB0_Dx Input Voltage <sup>1,4</sup>                   | -0.33 V to +5.25 V               |
| USB0_VBUS Input Voltage <sup>1,4</sup>                 | -0.33 V to +6 V                  |
| Output Voltage Swing                                   | -0.33 V to $V_{DD\_EXT} + 0.5$ V |
| Analog Input Voltage <sup>5</sup>                      | -0.2 V to $V_{DD\_HADC} + 0.2$ V |
| $I_{OH}/I_{OL}$ Current per Signal <sup>2</sup>        | 6 mA (maximum)                   |
| Storage Temperature Range                              | -65°C to +150°C                  |
| Junction Temperature While Biased                      | 133°C                            |

<sup>1</sup> Applies only when the related power supply ( $V_{DD\_DMC}$ ,  $V_{DD\_EXT}$ , or  $V_{DD\_USB}$ ) is within specification. When the power supply is below specification, the range is the voltage being applied to that power domain  $\pm 0.2$  V.

<sup>2</sup> Applies to 100% transient duty cycle.

<sup>3</sup> Applies to TWI\_SCL and TWI\_SDA.

<sup>4</sup> If the USB is not used, connect these pins according to [Table 25](#).

<sup>5</sup> Applies only when  $V_{DD\_HADC}$  is within specifications and  $\leq 3.4$  V. When  $V_{DD\_HADC}$  is within specifications and  $> 3.4$  V, the maximum rating is 3.6 V. When  $V_{DD\_HADC}$  is below specifications, the range is  $V_{DD\_HADC} \pm 0.2$  V.

## ESD CAUTION



### ESD (electrostatic discharge) sensitive device.

Charged devices and circuit boards can discharge without detection. Although this product features patented or proprietary protection circuitry, damage may occur on devices subjected to high energy ESD. Therefore, proper ESD precautions should be taken to avoid performance degradation or loss of functionality.

# ADSP-SC570/SC571/SC572/SC573/ADSP-21571/21573

## TIMING SPECIFICATIONS

Specifications are subject to change without notice.

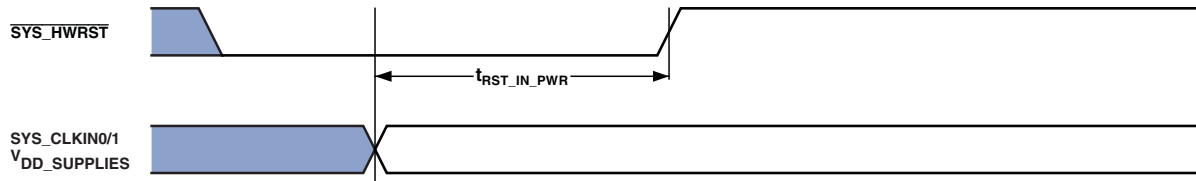
### Power-Up Reset Timing

Table 41 and Figure 8 show the relationship between power supply startup and processor reset timing, related to the clock generation unit (CGU) and reset control unit (RCU).

In Figure 8,  $V_{DD\_SUPPLIES}$  are  $V_{DD\_INT}$ ,  $V_{DD\_EXT}$ ,  $V_{DD\_DMC}$ ,  $V_{DD\_USB}$ , and  $V_{DD\_HADC}$ .

**Table 41. Power-Up Reset Timing**

| Parameter                 | Min  | Max | Unit |
|---------------------------|--|-----|------|
| <i>Timing Requirement</i> |  |     |      |
| $t_{RST\_IN\_PWR}$        | $\overline{SYS\_HWRST}$ Deasserted after $V_{DD\_SUPPLIES}$ ( $V_{DD\_INT}$ , $V_{DD\_EXT}$ , $V_{DD\_DMC}$ , $V_{DD\_USB}$ , $V_{DD\_HADC}$ ) and $SYS\_CLKINx$ are Stable and within Specification |     | ns   |



NOTE:  $V_{DD\_SUPPLIES}$  REFERS TO  $V_{DD\_INT}$ ,  $V_{DD\_EXT}$ ,  $V_{DD\_DMC}$ , AND  $V_{DD\_HADC}$

Figure 8. Power-Up Reset Timing

# ADSP-SC570/SC571/SC572/SC573/ADSP-21571/21573

## Clock and Reset Timing

Table 42 and Figure 9 describe clock and reset operations related to the CGU and RCU. Per the CCLK, SYSCLK, SCLK, DCLK, and OCLK timing specifications in Table 27, combinations of SYS\_CLKIN and clock multipliers must not select clock rates in excess of the maximum instruction rate of the processor.

**Table 42. Clock and Reset Timing**

| Parameter                  |  | Min                  | Max | Unit |
|----------------------------|--|----------------------|-----|------|
| <i>Timing Requirements</i> |  |                      |     |      |
| $f_{CKIN}$                 | SYS_CLKINx Frequency (Crystal) <sup>1, 2, 3</sup>        | 20                   | 50  | MHz  |
|                            | SYS_CLKINx Frequency (External CLKIN) <sup>1, 2, 3</sup> | 20                   | 50  | MHz  |
| $t_{CKINL}$                | CLKIN Low Pulse <sup>1</sup>                             | 10                   |     | ns   |
| $t_{CKINH}$                | CLKIN High Pulse <sup>1</sup>                            | 10                   |     | ns   |
| $t_{WRST}$                 | $\overline{RESET}$ Asserted Pulse Width Low <sup>4</sup> | $11 \times t_{CKIN}$ |     | ns   |

<sup>1</sup> Applies to PLL bypass mode and PLL nonbypass mode.

<sup>2</sup> The  $t_{CKIN}$  period (see Figure 9) equals  $1/f_{CKIN}$ .

<sup>3</sup> If the CGU\_CTL.DF bit is set, the minimum  $f_{CKIN}$  specification is 40 MHz.

<sup>4</sup> Applies after power-up sequence is complete. See Table 41 and Figure 8 for power-up reset timing.

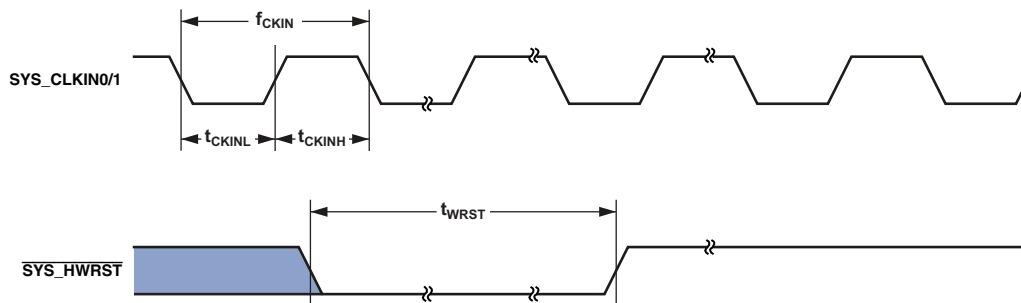


Figure 9. Clock and Reset Timing

# ADSP-SC570/SC571/SC572/SC573/ADSP-21571/21573

## DDR2 SDRAM Clock and Control Cycle Timing

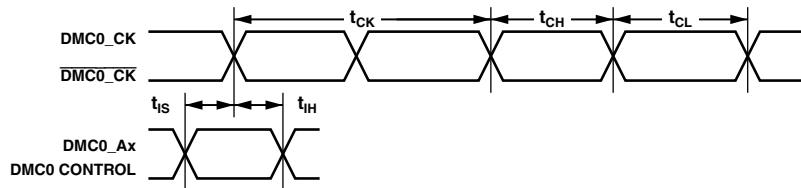
Table 43 and Figure 10 show DDR2 SDRAM clock and control cycle timing, related to the DMC.

Table 43. DDR2 SDRAM Clock and Control Cycle Timing,  $V_{DD\_DMC}$  Nominal 1.8 V

| Parameter                        | 400 MHz <sup>1</sup>                           |     | Unit     |
|----------------------------------|--|-----|----------|
|                                  | Min  | Max |          |
| <i>Switching Characteristics</i> |  |     |          |
| $t_{CK}$                         | Clock Cycle Time (CL = 2 Not Supported)        |     | ns       |
| $t_{CH(abs)}^2$                  | Minimum Clock Pulse Width                      |     | $t_{CK}$ |
| $t_{CL(abs)}^2$                  | Maximum Clock Pulse Width                      |     | $t_{CK}$ |
| $t_{IS}$                         | Control/Address Setup Relative to DMC0_CK Rise |     | ps       |
| $t_{IH}$                         | Control/Address Hold Relative to DMC0_CK Rise  |     | ps       |

<sup>1</sup>To ensure proper operation of DDR2, all the DDR2 requirements must be strictly followed. See “Interfacing DDR3/DDR2/LPDDR Memory to ADSP-SC5xx/215xx Processors” (EE-387).

<sup>2</sup>As per JESD79-2E definition.



NOTE: CONTROL = DMC0\_CS0, DMC0\_CKE, DMC0\_RAS, DMC0\_CAS, AND DMC0\_WE.  
ADDRESS = DMC0\_A0-A15 AND DMC0\_BA0-BA2.

Figure 10. DDR2 SDRAM Clock and Control Cycle Timing

# ADSP-SC570/SC571/SC572/SC573/ADSP-21571/21573

## DDR2 SDRAM Read Cycle Timing

Table 44 and Figure 11 show DDR2 SDRAM read cycle timing, related to the DMC.

Table 44. DDR2 SDRAM Read Cycle Timing,  $V_{DD\_DMC}$  Nominal 1.8 V

| Parameter                  |  | 400 MHz <sup>1</sup> |     | Unit     |
|----------------------------|--|----------------------|-----|----------|
|                            |  | Min                  | Max |          |
| <i>Timing Requirements</i> |  |                      |     |          |
| $t_{DQSQ}$                 | DMC0_DQS to DMC0_DQ Skew for DMC0_DQS and Associated DMC0_DQxx Signals |                      | 0.2 | ns       |
| $t_{QH}$                   | DMC0_DQxx, DMC0_DQS Output Hold Time From DMC0_DQS                     | 0.8                  |     | ns       |
| $t_{RPRE}$                 | Read Preamble  | 0.9                  |     | $t_{CK}$ |
| $t_{RPST}$                 | Read Postamble   | 0.4                  |     | $t_{CK}$ |

<sup>1</sup>To ensure proper operation of DDR2, all the DDR2 requirements must be strictly followed. See "Interfacing DDR3/DDR2/LPDDR Memory to ADSP-SC5xx/215xx Processors" (EE-387).



NOTE: CONTROL =  $\overline{DMC0\_CS0}$ ,  $\overline{DMC0\_CKE}$ ,  $\overline{DMC0\_RAS}$ ,  $\overline{DMC0\_CAS}$ , AND  $\overline{DMC0\_WE}$ .  
ADDRESS =  $DMC0\_A00-13$  AND  $DMC0\_BA0-1$ .

Figure 11. DDR2 SDRAM Controller Input AC Timing

# ADSP-SC570/SC571/SC572/SC573/ADSP-21571/21573

## DDR2 SDRAM Write Cycle Timing

Table 45 and Figure 12 show DDR2 SDRAM write cycle timing, related to the DMC.

Table 45. DDR2 SDRAM Write Cycle Timing,  $V_{DD\_DMC}$  Nominal 1.8 V

| Parameter                        | 400 MHz <sup>1</sup>  |     | Unit     |
|----------------------------------|---|-----|----------|
|                                  | Min   | Max |          |
| <i>Switching Characteristics</i> |   |     |          |
| $t_{DQSS}$                       | DMC0_DQS Latching Rising Transitions to Associated Clock Edges <sup>2</sup> |     | $t_{CK}$ |
| $t_{DS}$                         | Last Data Valid to DMC0_DQS Delay   |     | ns       |
| $t_{DH}$                         | DMC0_DQS to First Data Invalid Delay  |     | ns       |
| $t_{DSS}$                        | DMC0_DQS Falling Edge to Clock Setup Time                                   |     | $t_{CK}$ |
| $t_{DSH}$                        | DMC0_DQS Falling Edge Hold Time From DMC0_CK                                |     | $t_{CK}$ |
| $t_{DQSH}$                       | DMC0_DQS Input High Pulse Width   |     | $t_{CK}$ |
| $t_{DQSL}$                       | DMC0_DQS Input Low Pulse Width  |     | $t_{CK}$ |
| $t_{WPRE}$                       | Write Preamble  |     | $t_{CK}$ |
| $t_{WPST}$                       | Write Postamble   |     | $t_{CK}$ |
| $t_{IPW}$                        | Address and Control Output Pulse Width                                      |     | $t_{CK}$ |
| $t_{DIPW}$                       | DMC0_DQ and DMC0_DM Output Pulse Width                                      |     | $t_{CK}$ |

<sup>1</sup>To ensure proper operation of the DDR2, all the DDR2 requirements must be strictly followed. See “Interfacing DDR3/DDR2/LPDDR Memory to ADSP-SC5xx/215xx Processors” (EE-387).

<sup>2</sup>Write command to first DMC0\_DQS delay =  $WL \times t_{CK} + t_{DQSS}$ .



NOTE: CONTROL =  $\overline{DMC0\_CS0}$ ,  $\overline{DMC0\_CKE}$ ,  $\overline{DMC0\_RAS}$ ,  $\overline{DMC0\_CAS}$ , AND  $\overline{DMC0\_WE}$ .  
ADDRESS =  $DMC0\_A00-13$  AND  $DMC0\_BA0-1$ .

Figure 12. DDR2 SDRAM Controller Output AC Timing

# ADSP-SC570/SC571/SC572/SC573/ADSP-21571/21573

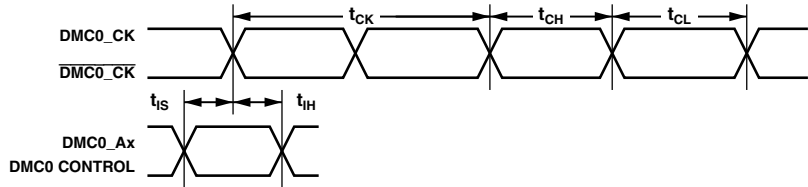
## Mobile DDR (LPDDR) SDRAM Clock and Control Cycle Timing

Table 46 and Figure 13 show mobile DDR SDRAM clock and control cycle timing, related to the DMC.

**Table 46. Mobile DDR SDRAM Clock and Control Cycle Timing,  $V_{DD\_DMC}$  Nominal 1.8 V**

| Parameter                        | 200 MHz <sup>1</sup>                           |     | Unit     |
|----------------------------------|--|-----|----------|
|                                  | Min  | Max |          |
| <i>Switching Characteristics</i> |  |     |          |
| $t_{CK}$                         | Clock Cycle Time (CL = 2 Not Supported)        |     | ns       |
| $t_{CH}$                         | Minimum Clock Pulse Width                      |     | $t_{CK}$ |
| $t_{CL}$                         | Maximum Clock Pulse Width                      |     | $t_{CK}$ |
| $t_{IS}$                         | Control/Address Setup Relative to DMC0_CK Rise |     | ns       |
| $t_{IH}$                         | Control/Address Hold Relative to DMC0_CK Rise  |     | ns       |

<sup>1</sup>To ensure proper operation of LPDDR, all the LPDDR requirements must be strictly followed. See “Interfacing DDR3/DDR2/LPDDR Memory to ADSP-SC5xx/215xx Processors” (EE-387).



NOTE: CONTROL =  $\overline{DMC0\_CS0}$ ,  $\overline{DMC0\_CKE}$ ,  $\overline{DMC0\_RAS}$ ,  $\overline{DMC0\_CAS}$ , AND  $\overline{DMC0\_WE}$ .  
ADDRESS =  $DMC0\_A0-A15$  AND  $DMC0\_BA0-BA2$ .

Figure 13. Mobile DDR SDRAM Clock and Control Cycle Timing

# ADSP-SC570/SC571/SC572/SC573/ADSP-21571/21573

## Mobile DDR SDRAM Read Cycle Timing

Table 47 and Figure 14 show mobile DDR SDRAM read cycle timing, related to the DMC.

Table 47. Mobile DDR SDRAM Read Cycle Timing,  $V_{DD\_DMC}$  Nominal 1.8 V

| Parameter                  |  | 200 MHz <sup>1</sup> |     | Unit     |
|----------------------------|--|----------------------|-----|----------|
|                            |  | Min                  | Max |          |
| <i>Timing Requirements</i> |  |                      |     |          |
| $t_{QH}$                   | DMC0_DQ, DMC0_DQS Output Hold Time From DMC0_DQS                     | 1.75                 |     | ns       |
| $t_{DQSQ}$                 | DMC0_DQS to DMC0_DQ Skew for DMC0_DQS and Associated DMC0_DQ Signals |                      | 0.4 | ns       |
| $t_{RPRE}$                 | Read Preamble  | 0.9                  | 1.1 | $t_{CK}$ |
| $t_{RPST}$                 | Read Postamble   | 0.4                  | 0.6 | $t_{CK}$ |

<sup>1</sup>To ensure proper operation of LPDDR, all the LPDDR requirements must be strictly followed. See “Interfacing DDR3/DDR2/LPDDR Memory to ADSP-SC5xx/215xx Processors” (EE-387).



Figure 14. Mobile DDR SDRAM Controller Input AC Timing



# ADSP-SC570/SC571/SC572/SC573/ADSP-21571/21573

## Mobile DDR SDRAM Write Cycle Timing

Table 48 and Figure 15 show mobile DDR SDRAM write cycle timing, related to the DMC.

**Table 48. Mobile DDR SDRAM Write Cycle Timing,  $V_{DD\_DMC}$  Nominal 1.8 V**

| Parameter                        | 200 MHz <sup>1</sup>   |     | Unit     |
|----------------------------------|--|-----|----------|
|                                  | Min  | Max |          |
| <i>Switching Characteristics</i> |  |     |          |
| $t_{DQSS}^2$                     | DMC0_DQS Latching Rising Transitions to Associated Clock Edges |     | $t_{CK}$ |
| $t_{DS}$                         | Last Data Valid to DMC0_DQS Delay (Slew > 1 V/ns)              |     | ns       |
| $t_{DH}$                         | DMC0_DQS to First Data Invalid Delay (Slew > 1 V/ns)           |     | ns       |
| $t_{DSS}$                        | DMC0_DQS Falling Edge to Clock Setup Time                      |     | $t_{CK}$ |
| $t_{DSH}$                        | DMC0_DQS Falling Edge Hold Time From DMC0_CK                   |     | $t_{CK}$ |
| $t_{DQSH}$                       | DMC0_DQS Input High Pulse Width                                |     | $t_{CK}$ |
| $t_{DQSL}$                       | DMC0_DQS Input Low Pulse Width                                 |     | $t_{CK}$ |
| $t_{WPRE}$                       | Write Preamble   |     | $t_{CK}$ |
| $t_{WPST}$                       | Write Postamble  |     | $t_{CK}$ |
| $t_{IPW}$                        | Address and Control Output Pulse Width                         |     | ns       |
| $t_{DIPW}$                       | DMC0_DQ and DMC0_DM Output Pulse Width                         |     | ns       |

<sup>1</sup>To ensure proper operation of LPDDR, all the LPDDR requirements must be strictly followed. See “Interfacing DDR3/DDR2/LPDDR Memory to ADSP-SC5xx/215xx Processors” (EE-387).

<sup>2</sup>Write command to first DMC0\_DQS delay =  $WL \times t_{CK} + t_{DQSS}$ .

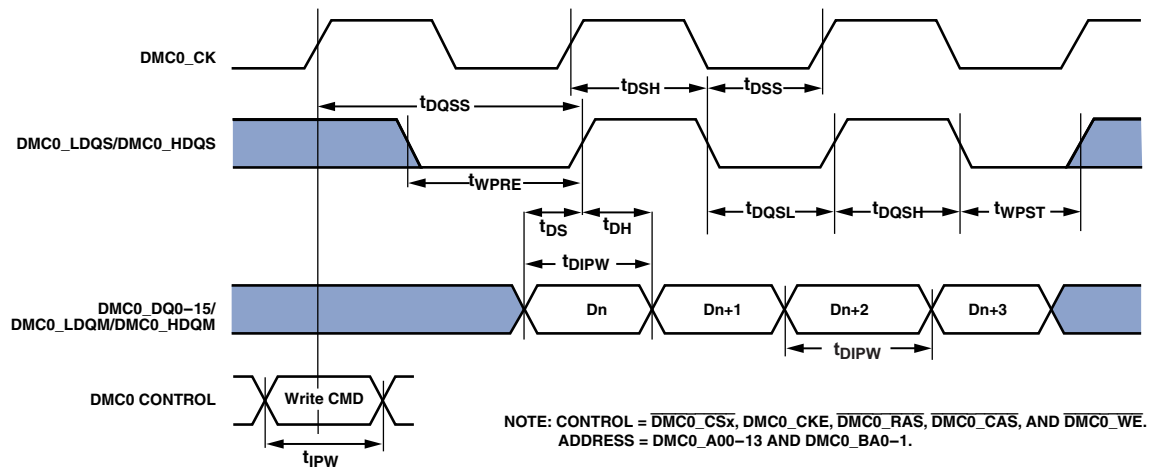


Figure 15. Mobile DDR SDRAM Controller Output AC Timing

# ADSP-SC570/SC571/SC572/SC573/ADSP-21571/21573

## DDR3 SDRAM Clock and Control Cycle Timing

Table 49 and Figure 16 show mobile DDR3 SDRAM clock and control cycle timing, related to the DMC.

Table 49. DDR3 SDRAM Clock and Control Cycle Timing,  $V_{DD\_DMC}$  Nominal 1.5 V

| Parameter                        | 450 MHz <sup>1</sup>                           |     | Unit     |
|----------------------------------|--|-----|----------|
|                                  | Min  | Max |          |
| <i>Switching Characteristics</i> |  |     |          |
| $t_{CK}$                         | Clock Cycle Time (CL = 2 Not Supported)        |     | ns       |
| $t_{CH(abs)}^2$                  | Minimum Clock Pulse Width                      |     | $t_{CK}$ |
| $t_{CL(abs)}^2$                  | Maximum Clock Pulse Width                      |     | $t_{CK}$ |
| $t_{IS}$                         | Control/Address Setup Relative to DMC0_CK Rise |     | ns       |
| $t_{IH}$                         | Control/Address Hold Relative to DMC0_CK Rise  |     | ns       |

<sup>1</sup>To ensure proper operation of the DDR3, all the DDR3 requirements must be strictly followed. See “Interfacing DDR3/DDR2/LPDDR Memory to ADSP-SC5xx/215xx Processors” (EE-387).

<sup>2</sup>As per JESD79-3F definition.



NOTE: CONTROL = DMC0\_CS0, DMC0\_CKE, DMC0\_RAS, DMC0\_CAS, AND DMC0\_WE.  
ADDRESS = DMC0\_A0-A15 AND DMC0\_BA0-BA2.

Figure 16. DDR3 SDRAM Clock and Control Cycle Timing

# ADSP-SC570/SC571/SC572/SC573/ADSP-21571/21573

## DDR3 SDRAM Read Cycle Timing

Table 50 and Figure 17 show mobile DDR3 SDRAM read cycle timing, related to the DMC.

Table 50. DDR3 SDRAM Read Cycle Timing,  $V_{DD\_DMC}$  Nominal 1.5 V

| Parameter                  |  | 450 MHz <sup>1</sup> |      | Unit     |
|----------------------------|--|----------------------|------|----------|
|                            |  | Min                  | Max  |          |
| <i>Timing Requirements</i> |  |                      |      |          |
| $t_{DQSQ}$                 | DMC0_DQS to DMC0_DQ Skew for DMC0_DQS and Associated DMC0_DQ Signals |                      | 0.15 | ns       |
| $t_{QH}$                   | DMC0_DQ, DMC0_DQS Output Hold Time From DMC0_DQS                     | 0.38                 |      | $t_{CK}$ |
| $t_{RPRE}$                 | Read Preamble  | 0.9                  |      | $t_{CK}$ |
| $t_{RPST}$                 | Read Postamble   | 0.3                  |      | $t_{CK}$ |

<sup>1</sup>To ensure proper operation of the DDR3, all the DDR3 requirements must be strictly followed. See “Interfacing DDR3/DDR2/LPDDR Memory to ADSP-SC5xx/215xx Processors” (EE-387).



NOTE: CONTROL =  $\overline{DMC0\_CS0}$ ,  $\overline{DMC0\_CKE}$ ,  $\overline{DMC0\_RAS}$ ,  $\overline{DMC0\_CAS}$ , AND  $\overline{DMC0\_WE}$ .  
ADDRESS =  $DMC0\_A00-13$  AND  $DMC0\_BA0-1$ .

Figure 17. DDR3 SDRAM Controller Input AC Timing

# ADSP-SC570/SC571/SC572/SC573/ADSP-21571/21573

## DDR3 SDRAM Write Cycle Timing

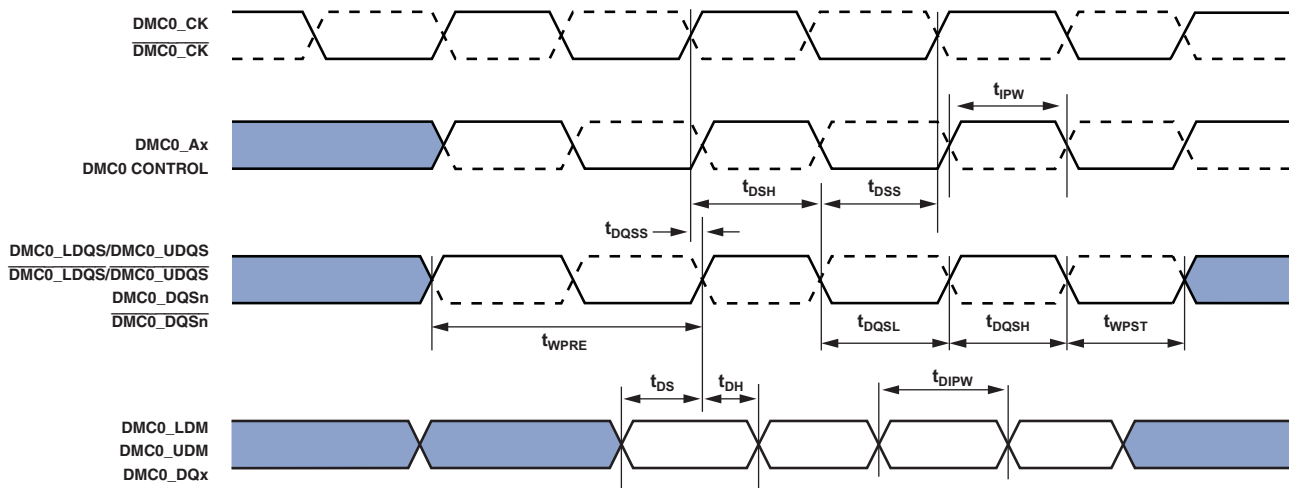
Table 51 and Figure 18 show mobile DDR3 SDRAM output ac timing, related to the DMC.

Table 51. DDR3 SDRAM Write Cycle Timing,  $V_{DD\_DMC}$  Nominal 1.5 V

| Parameter                        | 450 MHz <sup>1</sup>  |     | Unit     |
|----------------------------------|---|-----|----------|
|                                  | Min   | Max |          |
| <i>Switching Characteristics</i> |   |     |          |
| $t_{DQSS}$                       | DMC0_DQS Latching Rising Transitions to Associated Clock Edges <sup>2</sup> |     | $t_{CK}$ |
| $t_{DS}$                         | Last Data Valid to DMC0_DQS Delay (Slew > 1 V/ns)                           |     | ns       |
| $t_{DH}$                         | DMC0_DQS to First Data Invalid Delay (Slew > 1 V/ns)                        |     | ns       |
| $t_{DSS}$                        | DMC0_DQS Falling Edge to Clock Setup Time                                   |     | $t_{CK}$ |
| $t_{DSH}$                        | DMC0_DQS Falling Edge Hold Time From DMC0_CK                                |     | $t_{CK}$ |
| $t_{DQSH}$                       | DMC0_DQS Input High Pulse Width   |     | $t_{CK}$ |
| $t_{DQSL}$                       | DMC0_DQS Input Low Pulse Width  |     | $t_{CK}$ |
| $t_{WPRE}$                       | Write Preamble  |     | $t_{CK}$ |
| $t_{WPST}$                       | Write Postamble   |     | $t_{CK}$ |
| $t_{IPW}$                        | Address and Control Output Pulse Width                                      |     | ns       |
| $t_{DIPW}$                       | DMC0_DQ and DMC0_DM Output Pulse Width                                      |     | ns       |

<sup>1</sup>To ensure proper operation of the DDR3, all the DDR3 requirements must be strictly followed. See “Interfacing DDR3/DDR2/LPDDR Memory to ADSP-SC5xx/215xx Processors” (EE-387).

<sup>2</sup>Write command to first DMC0\_DQS delay =  $WL \times t_{CK} + t_{DQSS}$ .



NOTE: CONTROL =  $\overline{DMC0\_CS0}$ ,  $\overline{DMC0\_CKE}$ ,  $\overline{DMC0\_RAS}$ ,  $\overline{DMC0\_CAS}$ , AND  $\overline{DMC0\_WE}$ .  
ADDRESS =  $\overline{DMC0\_A00-13}$  AND  $\overline{DMC0\_BA0-1}$ .

Figure 18. DDR3 SDRAM Controller Output AC Timing

# ADSP-SC570/SC571/SC572/SC573/ADSP-21571/21573

## Enhanced Parallel Peripheral Interface (EPPI) Timing

Table 52 and Table 53 and Figure 19 through Figure 27 describe enhanced parallel peripheral interface (EPPI) timing operations. In Figure 19 through Figure 27, POLC[1:0] represents the setting of the EPPI\_CTL register, which sets the sampling/driving edges of the EPPI clock.

When internally generated, the programmed PPI clock ( $f_{PCLKPROG}$ ) frequency in megahertz is set by the following equation where VALUE is a field in the EPPI\_CLKDIV register that can be set from 0 to 65535:

$$f_{PCLKPROG} = \frac{f_{SCLK0}}{(VALUE + 1)}$$

$$t_{PCLKPROG} = \frac{1}{f_{PCLKPROG}}$$

When externally generated, the EPPI\_CLK is called  $f_{PCLKEXT}$ :

$$t_{PCLKEXT} = \frac{1}{f_{PCLKEXT}}$$

**Table 52. Enhanced Parallel Peripheral Interface (EPPI)—Internal Clock**

| Parameter                        |   | Min                             | Max | Unit |
|----------------------------------|---|---------------------------------|-----|------|
| <i>Timing Requirements</i>       |   |                                 |     |      |
| $t_{SFSPi}$                      | External FS Setup Before EPPI_CLK                                       | 6.5                             |     | ns   |
| $t_{HFSPi}$                      | External FS Hold After EPPI_CLK   | 0                               |     | ns   |
| $t_{SDRPI}$                      | Receive Data Setup Before EPPI_CLK                                      | 6.5                             |     | ns   |
| $t_{HDRPI}$                      | Receive Data Hold After EPPI_CLK  | 0                               |     | ns   |
| $t_{SF3GI}$                      | External FS3 Input Setup Before EPPI_CLK Fall Edge in Clock Gating Mode | 14                              |     | ns   |
| $t_{HF3GI}$                      | External FS3 Input Hold Before EPPI_CLK Fall Edge in Clock Gating Mode  | 0                               |     | ns   |
| <i>Switching Characteristics</i> |   |                                 |     |      |
| $t_{PCLKW}$                      | EPPI_CLK Width <sup>1</sup>   | $0.5 \times t_{PCLKPROG} - 1.5$ |     | ns   |
| $t_{PCLK}$                       | EPPI_CLK Period <sup>1</sup>  | $t_{PCLKPROG} - 1.5$            |     | ns   |
| $t_{DFSPi}$                      | Internal FS Delay After EPPI_CLK  |                                 | 3.6 | ns   |
| $t_{HOFSPi}$                     | Internal FS Hold After EPPI_CLK   | -0.72                           |     | ns   |
| $t_{DDTPI}$                      | Transmit Data Delay After EPPI_CLK                                      |                                 | 3.5 | ns   |
| $t_{HDTPI}$                      | Transmit Data Hold After EPPI_CLK                                       | -0.5                            |     | ns   |

<sup>1</sup> See Table 27 for details on the minimum period that can be programmed for  $t_{PCLKPROG}$ .

# ADSP-SC570/SC571/SC572/SC573/ADSP-21571/21573

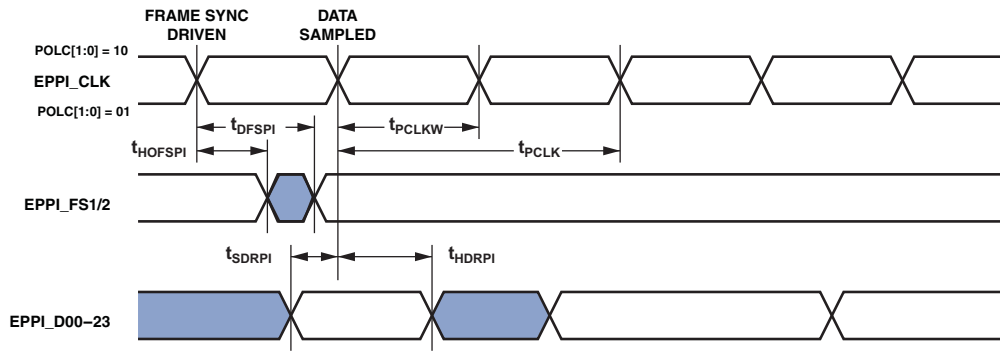


Figure 19. EPPI Internal Clock GP Receive Mode with Internal Frame Sync Timing

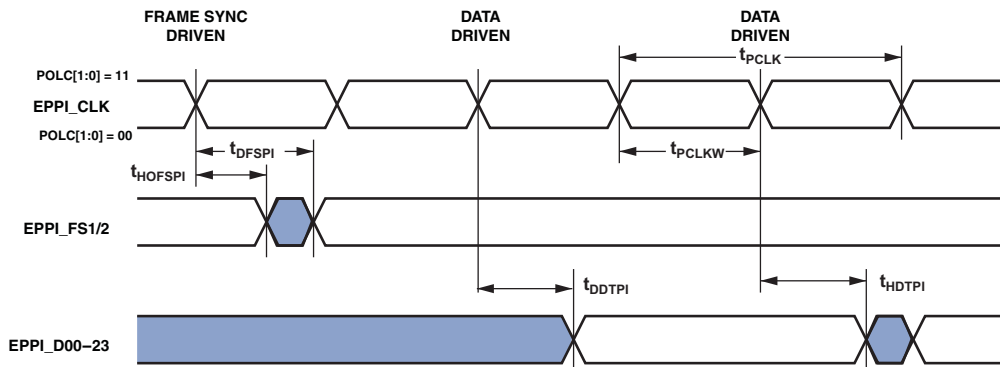


Figure 20. EPPI Internal Clock GP Transmit Mode with Internal Frame Sync Timing

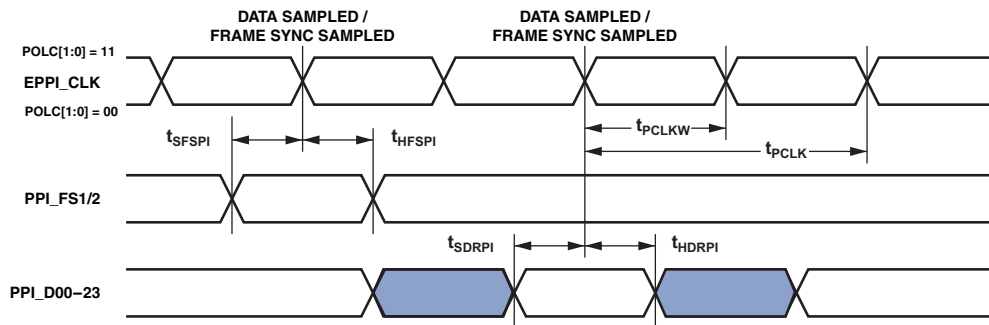


Figure 21. EPPI Internal Clock GP Receive Mode with External Frame Sync Timing

# ADSP-SC570/SC571/SC572/SC573/ADSP-21571/21573



Figure 22. EPPi Internal Clock GP Transmit Mode with External Frame Sync Timing

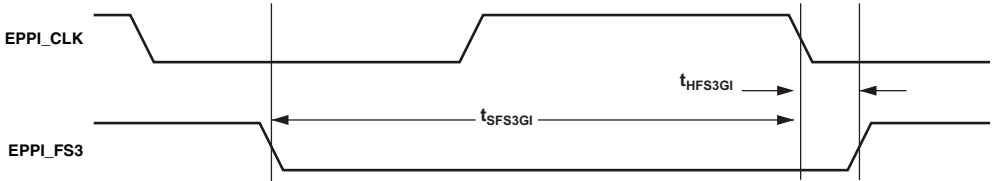


Figure 23. Clock Gating Mode with Internal Clock and External Frame Sync Timing

# ADSP-SC570/SC571/SC572/SC573/ADSP-21571/21573

Table 53. Enhanced Parallel Peripheral Interface (EPPI)—External Clock

| Parameter                                      | Min                            | Max  | Unit |
|--|--------------------------------|------|------|
| <i>Timing Requirements</i>                     |                                |      |      |
| $t_{PCLKW}$ EPPI_CLK Width <sup>1</sup>        | $0.5 \times t_{PCLKEXT} - 0.5$ |      | ns   |
| $t_{PCLK}$ EPPI_CLK Period <sup>1</sup>        | $t_{PCLKEXT} - 1$              |      | ns   |
| $t_{SFSPE}$ External FS Setup Before EPPI_CLK  | 2                              |      | ns   |
| $t_{HFSPE}$ External FS Hold After EPPI_CLK    | 3.7                            |      | ns   |
| $t_{SDRPE}$ Receive Data Setup Before EPPI_CLK | 2                              |      | ns   |
| $t_{HDRPE}$ Receive Data Hold After EPPI_CLK   | 3.7                            |      | ns   |
| <i>Switching Characteristics</i>               |                                |      |      |
| $t_{DFSPE}$ Internal FS Delay After EPPI_CLK   |                                | 15.3 | ns   |
| $t_{HOFSP}$ Internal FS Hold After EPPI_CLK    | 2.4                            |      | ns   |
| $t_{DDTPE}$ Transmit Data Delay After EPPI_CLK |                                | 15.3 | ns   |
| $t_{HDTPE}$ Transmit Data Hold After EPPI_CLK  | 2.4                            |      | ns   |

<sup>1</sup>This specification indicates the minimum instantaneous width or period that can be tolerated due to duty cycle variation or jitter on the external EPPI\_CLK. For the external EPPI\_CLK ideal maximum frequency, see the  $f_{PCLKEXT}$  specification in Table 27.

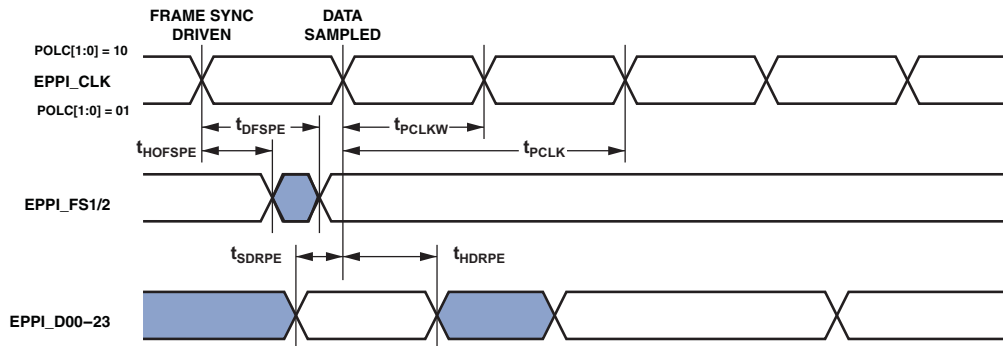


Figure 24. EPPI External Clock GP Receive Mode with Internal Frame Sync Timing

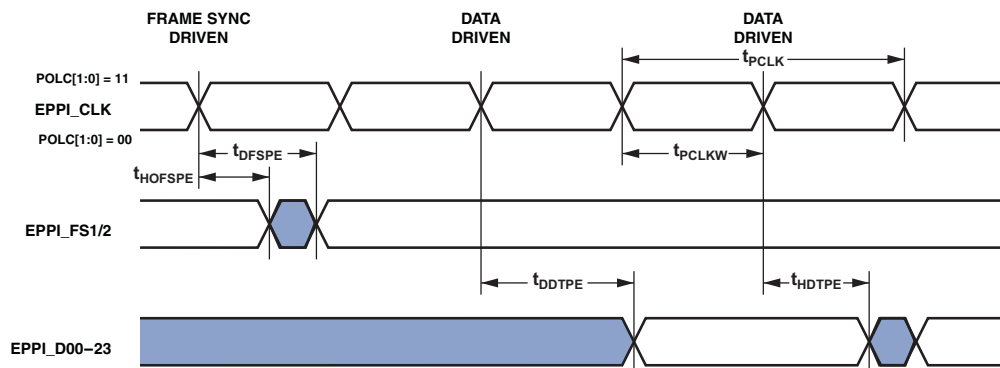


Figure 25. EPPI External Clock GP Transmit Mode with Internal Frame Sync Timing



# ADSP-SC570/SC571/SC572/SC573/ADSP-21571/21573



Figure 26. EPPI External Clock GP Receive Mode with External Frame Sync Timing



Figure 27. EPPI External Clock GP Transmit Mode with External Frame Sync Timing

# ADSP-SC570/SC571/SC572/SC573/ADSP-21571/21573

## Link Ports (LPs)

In LP receive mode, the LP clock is supplied externally and is called  $f_{LCLKREXT}$ , therefore the period can be represented by

$$t_{LCLKREXT} = \frac{1}{f_{LCLKREXT}}$$

In LP transmit mode, the programmed LP clock ( $f_{LCLKTPROG}$ ) frequency in megahertz is set by the following equation where VALUE is a field in the LP\_DIV register that can be set from 1 to 255:

$$f_{LCLKTPROG} = \frac{f_{SCLK0}}{(VALUE \times 2)}$$

In the case where VALUE = 0,  $f_{LCLKTPROG} = f_{SCLK0}$ . For all settings of VALUE, the following equation is true:

$$t_{LCLKTPROG} = \frac{1}{f_{LCLKTPROG}}$$

Calculation of the link receiver data setup and hold relative to the link clock is required to determine the maximum allowable skew that can be introduced in the transmission path length difference between LPx\_Dx and LPx\_CLK. Setup skew is the maximum delay that can be introduced in LPx\_Dx relative to LPx\_CLK (setup skew =  $t_{LCLKTWH}$  minimum -  $t_{DLCH}$  -  $t_{SLDCL}$ ). Hold skew is the maximum delay that can be introduced in LPx\_CLK relative to LPx\_Dx (hold skew =  $t_{LCLKTWH}$  minimum -  $t_{HLDCH}$  -  $t_{HLDCL}$ ).

**Table 54. LPs—Receive<sup>1</sup>**

| Parameter  | Min                        | Max                         | Unit |
|--|----------------------------|-----------------------------|------|
| <i>Timing Requirements</i>                                   |                            |                             |      |
| $f_{LCLKREXT}$ LPx_CLK Frequency                             |                            | 112.5                       | MHz  |
| $t_{SLDCL}$ Data Setup Before LPx_CLK Low                    | 0.9                        |                             | ns   |
| $t_{HLDCL}$ Data Hold After LPx_CLK Low                      | 1.4                        |                             | ns   |
| $t_{LCLKEW}$ LPx_CLK Period <sup>2</sup>                     | $t_{LCLKREXT} - 0.8$       |                             | ns   |
| $t_{LCLKRWL}$ LPx_CLK Width Low <sup>2</sup>                 | $0.5 \times t_{LCLKREXT}$  |                             | ns   |
| $t_{LCLKRWH}$ LPx_CLK Width High <sup>2</sup>                | $0.5 \times t_{LCLKREXT}$  |                             | ns   |
| <i>Switching Characteristic</i>                              |                            |                             |      |
| $t_{DLALC}$ LPx_ACK Low Delay After LPx_CLK Low <sup>3</sup> | $1.5 \times t_{SCLK0} + 4$ | $2.5 \times t_{SCLK0} + 12$ | ns   |

<sup>1</sup> Specifications apply to LP0 and LP1.

<sup>2</sup> This specification indicates the minimum instantaneous width or period that can be tolerated due to duty cycle variation or jitter on the external LPx\_CLK. For the external LPx\_CLK ideal maximum frequency, see the  $f_{LCLKTEXT}$  specification in Table 27.

<sup>3</sup> LPx\_ACK goes low with  $t_{DLALC}$  relative to rise of LPx\_CLK after first byte, but does not go low if the link buffer of the receiver is not about to fill.

# ADSP-SC570/SC571/SC572/SC573/ADSP-21571/21573

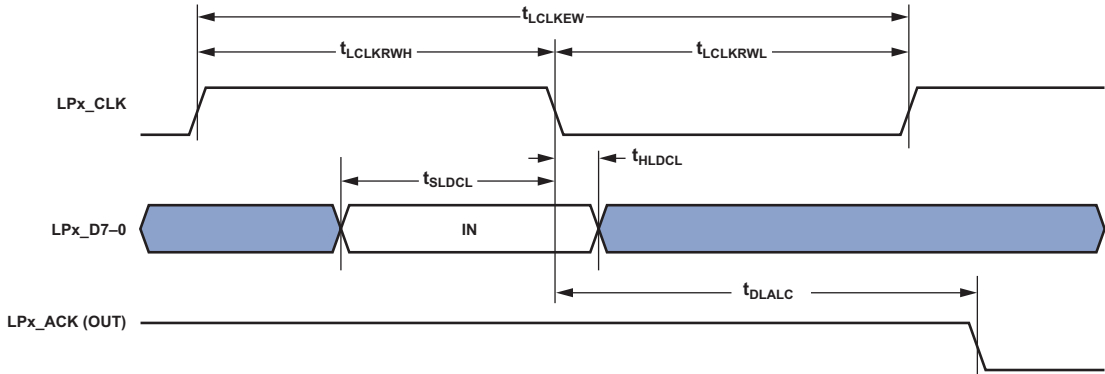


Figure 28. LPs—Receive

# ADSP-SC570/SC571/SC572/SC573/ADSP-21571/21573

Table 55. LPs—Transmit<sup>1</sup>

| Parameter  | Min                            | Max  | Unit |
|--|--------------------------------|--|------|
| <i>Timing Requirements</i>                       |                                |  |      |
| $t_{SLACH}$ LPx_ACK Setup Before LPx_CLK Low     | $2 \times t_{SCLK0} + 13.5$    |  | ns   |
| $t_{HLACH}$ LPx_ACK Hold After LPx_CLK Low       | -5.5                           |  | ns   |
| <i>Switching Characteristics</i>                 |                                |  |      |
| $t_{DLCH}$ Data Delay After LPx_CLK High         |                                | 2.23   | ns   |
| $t_{HLDCH}$ Data Hold After LPx_CLK High         | -2.3                           |  | ns   |
| $t_{LCLKTWL}^2$ LPx_CLK Width Low                | $0.4 \times t_{LCLKTPROG}$     | $0.6 \times t_{LCLKTPROG}$                     | ns   |
| $t_{LCLKTWH}^2$ LPx_CLK Width High               | $0.4 \times t_{LCLKTPROG}$     | $0.6 \times t_{LCLKTPROG}$                     | ns   |
| $t_{LCLKTW}^2$ LPx_CLK Period                    | $N \times t_{LCLKTPROG} - 0.6$ |  | ns   |
| $t_{DLACK}$ LPx_CLK Low Delay After LPx_ACK High | $t_{SCLK0} + 4$                | $2 \times t_{SCLK0} + 1 \times t_{LPCLK} + 10$ | ns   |

<sup>1</sup>Specifications apply to LP0 and LP1.

<sup>2</sup>See Table 27 for details on the minimum period that can be programmed for  $t_{LCLKTPROG}$ .



**NOTES**

The  $t_{SLACH}$  and  $t_{HLACH}$  specifications apply only to the LPx\_CLK falling edge. If these specifications are met, LPx\_CLK extends and the dotted LPx\_CLK falling edge does not occur as shown. The position of the dotted falling edge can be calculated using the  $t_{LCLKTWH}$  specification.  $t_{LCLKTWH}$  Min must be used for  $t_{SLACH}$  and  $t_{LCLKTWL}$  Max for  $t_{HLACH}$ .

Figure 29. LPs—Transmit

# ADSP-SC570/SC571/SC572/SC573/ADSP-21571/21573

## Serial Ports (SPORTs)

To determine whether a device is compatible with the SPORT at clock speed  $n$ , the following specifications must be confirmed: frame sync delay and frame sync setup and hold; data delay and data setup and hold; and serial clock (SPTx\_CLK) width. In [Figure 30](#), either the rising edge or the falling edge of SPTx\_CLK (external or internal) can be used as the active sampling edge.

When externally generated, the SPORT clock is called  $f_{SPTCLKEXT}$ :

$$t_{SPTCLKEXT} = \frac{1}{f_{SPTCLKEXT}}$$

When internally generated, the programmed SPORT clock ( $f_{SPTCLKPROG}$ ) frequency in megahertz is set by the following equation where CLKDIV is a field in the SPORT\_DIV register that can be set from 0 to 65535:

$$f_{SPTCLKPROG} = \frac{f_{SCLK0}}{(CLKDIV + 1)}$$

$$t_{SPTCLKPROG} = \frac{1}{f_{SPTCLKPROG}}$$

**Table 56. SPORTs—External Clock<sup>1</sup>**

| Parameter   | Min                              | Max  | Unit |
|---|----------------------------------|------|------|
| <i>Timing Requirements</i>  |                                  |      |      |
| $t_{SFSE}$ Frame Sync Setup Before SPTx_CLK (Externally Generated Frame Sync in either Transmit or Receive Mode) <sup>2</sup> | 2                                |      | ns   |
| $t_{HFSE}$ Frame Sync Hold After SPTx_CLK (Externally Generated Frame Sync in either Transmit or Receive Mode) <sup>2</sup>   | 2.7                              |      | ns   |
| $t_{SDRE}$ Receive Data Setup Before Receive SPTx_CLK <sup>2</sup>  | 2                                |      | ns   |
| $t_{HDRE}$ Receive Data Hold After SPTx_CLK <sup>2</sup>  | 2.7                              |      | ns   |
| $t_{SPTCLKW}$ SPTx_CLK Width <sup>3</sup>   | $0.5 \times t_{SPTCLKEXT} - 1.5$ |      | ns   |
| $t_{SPTCLK}$ SPTx_CLK Period <sup>3</sup>   | $t_{SPTCLKEXT} - 1.5$            |      | ns   |
| <i>Switching Characteristics</i>  |                                  |      |      |
| $t_{DFSE}$ Frame Sync Delay After SPTx_CLK (Internally Generated Frame Sync in either Transmit or Receive Mode) <sup>4</sup>  |                                  | 14.5 | ns   |
| $t_{HOFSE}$ Frame Sync Hold After SPTx_CLK (Internally Generated Frame Sync in either Transmit or Receive Mode) <sup>4</sup>  | 2                                |      | ns   |
| $t_{DDTE}$ Transmit Data Delay After Transmit SPTx_CLK <sup>4</sup>   |                                  | 14   | ns   |
| $t_{HDTE}$ Transmit Data Hold After Transmit SPTx_CLK <sup>4</sup>  | 2                                |      | ns   |

<sup>1</sup> Specifications apply to all four SPORTs.

<sup>2</sup> Referenced to sample edge.

<sup>3</sup> This specification indicates the minimum instantaneous width or period that can be tolerated due to duty cycle variation or jitter on the external SPTx\_CLK. For the external SPTx\_CLK ideal maximum frequency see the  $f_{SPTCLKEXT}$  specification in [Table 27](#).

<sup>4</sup> Referenced to drive edge.

# ADSP-SC570/SC571/SC572/SC573/ADSP-21571/21573

Table 57. SPORTs—Internal Clock<sup>1</sup>

| Parameter                        |   | Min                               | Max | Unit |
|----------------------------------|---|-----------------------------------|-----|------|
| <i>Timing Requirements</i>       |   |                                   |     |      |
| t <sub>FSI</sub>                 | Frame Sync Setup Before SPTx_CLK<br>(Externally Generated Frame Sync in either Transmit or Receive Mode) <sup>2</sup> | 12                                |     | ns   |
| t <sub>HFSI</sub>                | Frame Sync Hold After SPTx_CLK<br>(Externally Generated Frame Sync in either Transmit or Receive Mode) <sup>2</sup>   | -0.5                              |     | ns   |
| t <sub>SDRI</sub>                | Receive Data Setup Before SPTx_CLK <sup>2</sup>   | 3.4                               |     | ns   |
| t <sub>HDRI</sub>                | Receive Data Hold After SPTx_CLK <sup>2</sup>   | 1.5                               |     | ns   |
| <i>Switching Characteristics</i> |   |                                   |     |      |
| t <sub>DFSI</sub>                | Frame Sync Delay After SPTx_CLK (Internally Generated Frame Sync in Transmit or Receive Mode) <sup>3</sup>            |                                   | 3.5 | ns   |
| t <sub>HOFSI</sub>               | Frame Sync Hold After SPTx_CLK (Internally Generated Frame Sync in Transmit or Receive Mode) <sup>3</sup>             | -2.5                              |     | ns   |
| t <sub>DDTI</sub>                | Transmit Data Delay After SPTx_CLK <sup>3</sup>   |                                   | 3.5 | ns   |
| t <sub>HDTI</sub>                | Transmit Data Hold After SPTx_CLK <sup>3</sup>  | -2.5                              |     | ns   |
| t <sub>SPTCLKIW</sub>            | SPTx_CLK Width <sup>4</sup>   | 0.5 × t <sub>SPTCLKPROG</sub> - 2 |     | ns   |
| t <sub>SPTCLK</sub>              | SPTx_CLK Period <sup>4</sup>  | t <sub>SPTCLKPROG</sub> - 1.5     |     | ns   |

<sup>1</sup>Specifications apply to all four SPORTs.

<sup>2</sup>Referenced to the sample edge.

<sup>3</sup>Referenced to drive edge.

<sup>4</sup>See Table 27 for details on the minimum period that can be programmed for t<sub>SPTCLKPROG</sub>.

# ADSP-SC570/SC571/SC572/SC573/ADSP-21571/21573

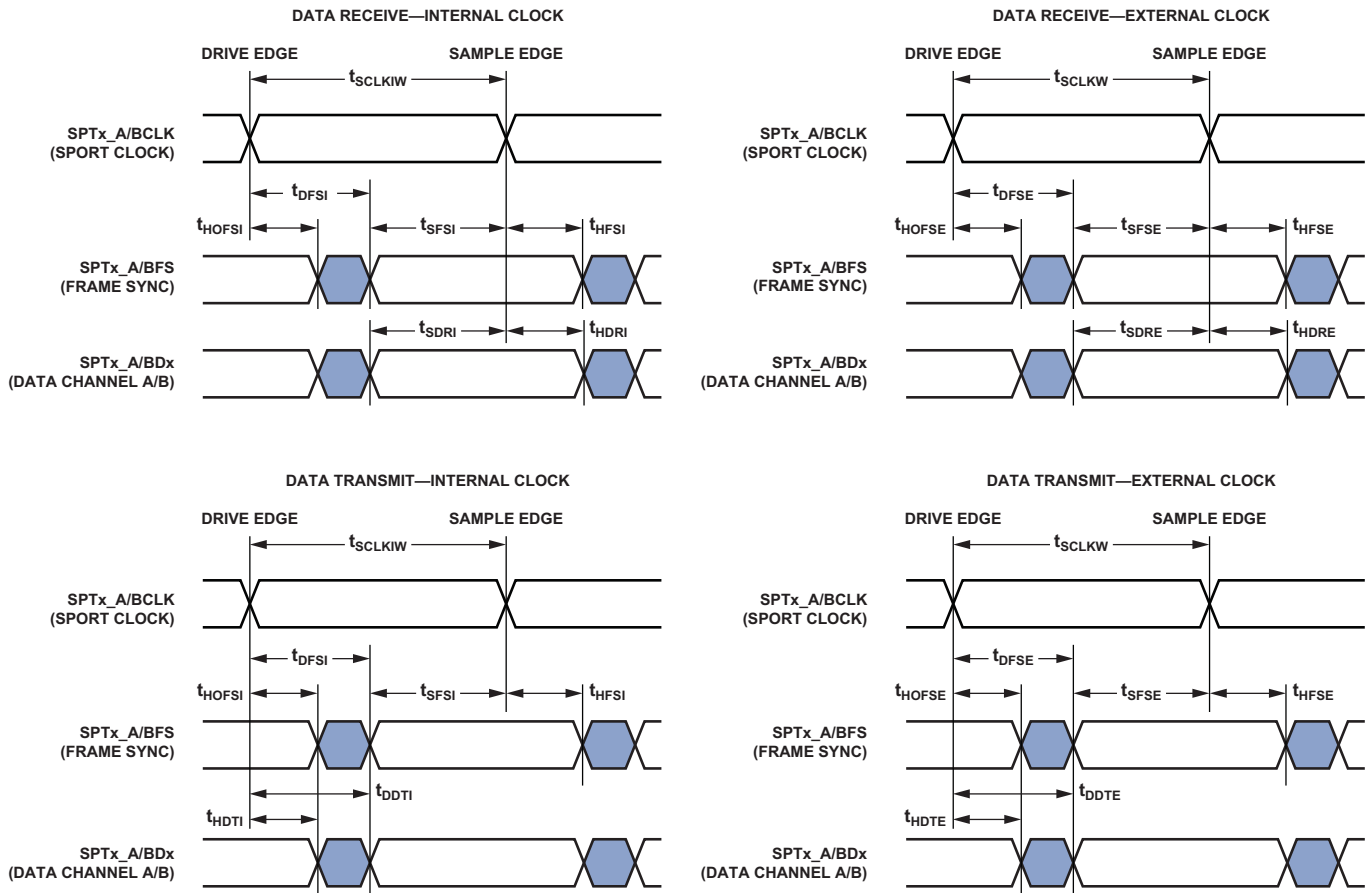


Figure 30. SPORTs

# ADSP-SC570/SC571/SC572/SC573/ADSP-21571/21573

Table 58. SPORTs—Enable and Three-State<sup>1</sup>

| Parameter                        |   | Min  | Max | Unit |
|----------------------------------|---|------|-----|------|
| <i>Switching Characteristics</i> |   |      |     |      |
| $t_{DDTEN}$                      | Data Enable from External Transmit SPTx_CLK <sup>2</sup>  | 1    |     | ns   |
| $t_{DDTTE}$                      | Data Disable from External Transmit SPTx_CLK <sup>2</sup> |      | 14  | ns   |
| $t_{DDTIN}$                      | Data Enable from Internal Transmit SPTx_CLK <sup>2</sup>  | -2.5 |     | ns   |
| $t_{DDTTI}$                      | Data Disable from Internal Transmit SPTx_CLK <sup>2</sup> |      | 2.8 | ns   |

<sup>1</sup> Specifications apply to all four SPORTs.

<sup>2</sup> Referenced to drive edge.



Figure 31. SPORTs—Enable and Three-State



# ADSP-SC570/SC571/SC572/SC573/ADSP-21571/21573

The SPTx\_TDV output signal becomes active in SPORT multichannel mode. During transmit slots (enabled with active channel selection registers) the SPTx\_TDV is asserted for communication with external devices.

**Table 59. SPORTs—Transmit Data Valid (TDV)<sup>1</sup>**

| Parameter  | Min  | Max | Unit |
|--|------|-----|------|
| <i>Switching Characteristics</i>   |      |     |      |
| $t_{DRDVEN}$ Data Valid Enable Delay from Drive Edge of External Clock <sup>2</sup>  | 2    |     | ns   |
| $t_{DFDVEN}$ Data Valid Disable Delay from Drive Edge of External Clock <sup>2</sup> |      | 14  | ns   |
| $t_{DRDVIN}$ Data Valid Enable Delay from Drive Edge of Internal Clock <sup>2</sup>  | -2.5 |     | ns   |
| $t_{DFDVIN}$ Data Valid Disable Delay from Drive Edge of Internal Clock <sup>2</sup> |      | 3.5 | ns   |

<sup>1</sup>Specifications apply to all four SPORTs.

<sup>2</sup>Referenced to drive edge.

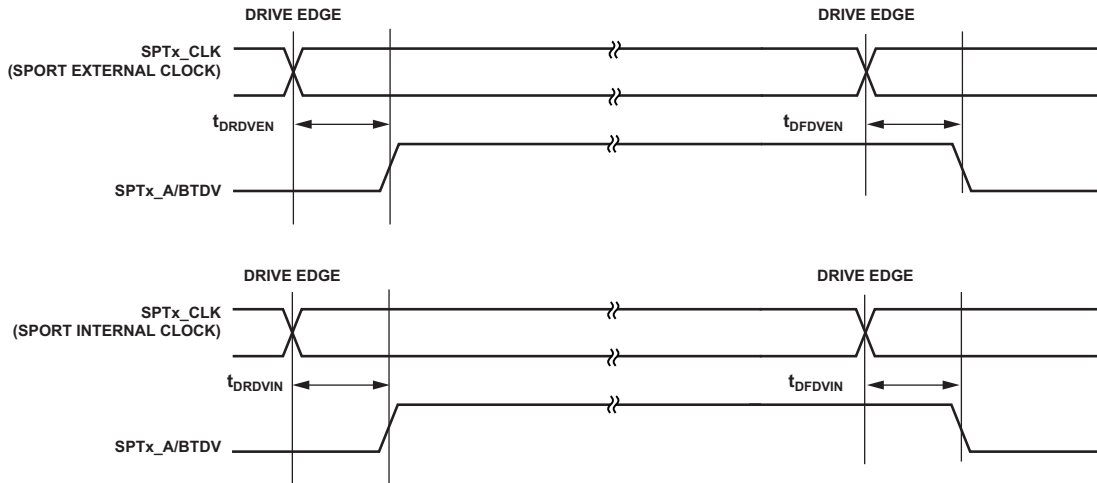


Figure 32. SPORTs—Transmit Data Valid Internal and External Clock

# ADSP-SC570/SC571/SC572/SC573/ADSP-21571/21573

Table 60. SPORTs—External Late Frame Sync<sup>1</sup>

| Parameter   | Min | Max | Unit |
|---|-----|-----|------|
| <i>Switching Characteristics</i>  |     |     |      |
| $t_{DDTLFSE}$ Data Delay from Late External Transmit Frame Sync or External Receive Frame Sync with MCE = 1, MFD = 0 <sup>2</sup> |     | 14  | ns   |
| $t_{DDTENFS}$ Data Enable for MCE = 1, MFD = 0 <sup>2</sup>   | 0.5 |     | ns   |

<sup>1</sup>Specifications apply to all four SPORTs.

<sup>2</sup>The  $t_{DDTLFSE}$  and  $t_{DDTENFS}$  parameters apply to left justified as well as standard serial mode and MCE = 1, MFD = 0.

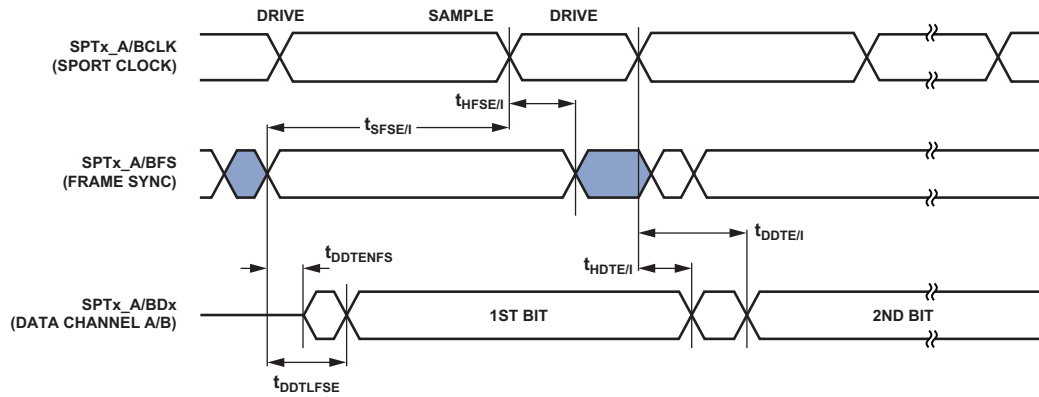


Figure 33. External Late Frame Sync

# ADSP-SC570/SC571/SC572/SC573/ADSP-21571/21573

## Asynchronous Sample Rate Converter (ASRC)—Serial Input Port

The ASRC input signals are routed from the DAI0\_PINx pins using the SRU. Therefore, the timing specifications provided in [Table 61](#) are valid at the DAI0\_PINx pins.

**Table 61. ASRC, Serial Input Port**

| Parameter   | Min                  | Max | Unit |
|---|----------------------|-----|------|
| <i>Timing Requirements</i>                                      |                      |     |      |
| $t_{SRCSFS}^1$ Frame Sync Setup Before Serial Clock Rising Edge | 4                    |     | ns   |
| $t_{SRCHFS}^1$ Frame Sync Hold After Serial Clock Rising Edge   | 5.5                  |     | ns   |
| $t_{SRCS}^1$ Data Setup Before Serial Clock Rising Edge         | 4                    |     | ns   |
| $t_{SRCH}^1$ Data Hold After Serial Clock Rising Edge           | 5.5                  |     | ns   |
| $t_{SRCCLKW}$ Clock Width                                       | $t_{SCLK0} - 1$      |     | ns   |
| $t_{SRCCLK}$ Clock Period                                       | $2 \times t_{SCLK0}$ |     | ns   |

<sup>1</sup> The serial clock, data, and frame sync signals can come from any of the DAI pins. The serial clock and frame sync signals can also come via PCG or SPORTs. The input of the PCG can be either CLKIN or any of the DAI pins.

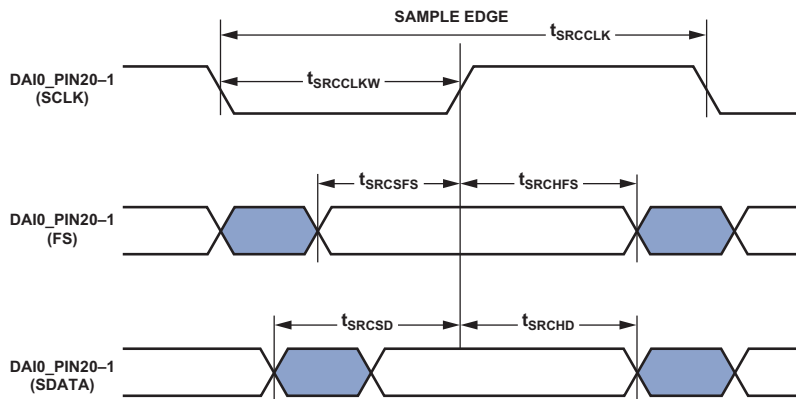


Figure 34. ASRC Serial Input Port Timing

# ADSP-SC570/SC571/SC572/SC573/ADSP-21571/21573

## Asynchronous Sample Rate Converter (ASRC)—Serial Output Port

For the serial output port, the frame sync is an input and it must meet setup and hold times with regard to SCLK on the output port. The serial data output has a hold time and delay specification with regard to serial clock. The serial clock rising edge is the sampling edge, and the falling edge is the drive edge.

Table 62. ASRC, Serial Output Port

| Parameter  | Min                  | Max | Unit |
|--|----------------------|-----|------|
| <i>Timing Requirements</i>   |                      |     |      |
| $t_{SRCSFS}^1$ Frame Sync Setup Before Serial Clock Rising Edge    | 4                    |     | ns   |
| $t_{SRCHFS}^1$ Frame Sync Hold After Serial Clock Rising Edge      | 5.5                  |     | ns   |
| $t_{SRCLLKW}$ Clock Width  | $t_{SCLK0} - 1$      |     | ns   |
| $t_{SRCCLK}$ Clock Period  | $2 \times t_{SCLK0}$ |     | ns   |
| <i>Switching Characteristics</i>                                   |                      |     |      |
| $t_{SRCTDD}^1$ Transmit Data Delay After Serial Clock Falling Edge |                      | 13  | ns   |
| $t_{SRCTDH}^1$ Transmit Data Hold After Serial Clock Falling Edge  | 1                    |     | ns   |

<sup>1</sup>The serial clock, data, and frame sync signals can come from any of the DAI pins. The serial clock and frame sync signals can also come via PCG or SPORTs. The input of the PCG can be either CLKIN, SCLK0, or any of the DAI pins.



Figure 35. ASRC Serial Output Port Timing

# ADSP-SC570/SC571/SC572/SC573/ADSP-21571/21573

## SPI Port—Master Timing

### SPI0, SPI1, and SPI2

Table 63, Table 64, and Figure 36 describe the SPI port master operations.

When internally generated, the programmed SPI clock ( $f_{SPICLKPROG}$ ) frequency in megahertz is set by the following equation where BAUD is a field in the SPIx\_CLK register that can be set from 0 to 65535.

For SPI0, SPI1,

$$f_{SPICLKPROG} = \frac{f_{SCLK0}}{(BAUD + 1)}$$

For SPI2,

$$f_{SPICLKPROG} = \frac{f_{SCLK1}}{(BAUD + 1)}$$

$$t_{SPICLKPROG} = \frac{1}{f_{SPICLKPROG}}$$

Note that

- In dual-mode data transmit, the SPIx\_MISO signal is also an output.
- In quad-mode data transmit, the SPIx\_MISO, SPIx\_D2, and SPIx\_D3 signals are also outputs.
- In dual-mode data receive, the SPIx\_MOSI signal is also an input.
- In quad-mode data receive, the SPIx\_MOSI, SPIx\_D2, and SPIx\_D3 signals are also inputs.
- Quad-mode is supported by SPI2 only.
- CPHA is a configuration bit in the SPI\_CTL register.

**Table 63. SPI0, SPI1 Port—Master Timing<sup>1</sup>**

| Parameter  | Min                                 | Max | Unit |
|--|-------------------------------------|-----|------|
| <i>Timing Requirements</i>   |                                     |     |      |
| t <sub>SSPIDM</sub> Data Input Valid to SPIx_CLK Edge (Data Input Setup)                       | 3                                   |     | ns   |
| t <sub>HSPIDM</sub> SPIx_CLK Sampling Edge to Data Input Invalid                               | 1.2                                 |     | ns   |
| <i>Switching Characteristics</i>   |                                     |     |      |
| t <sub>SDSCIM</sub> $\overline{SPIx\_SEL}$ low to First SPI_CLK Edge for CPHA = 1 <sup>2</sup> | t <sub>SPICLKPROG</sub> - 5         |     | ns   |
| $\overline{SPIx\_SEL}$ low to First SPI_CLK Edge for CPHA = 0 <sup>2</sup>                     | 1.5 × t <sub>SPICLKPROG</sub> - 5   |     | ns   |
| t <sub>SPICHM</sub> SPIx_CLK High Period <sup>3</sup>  | 0.5 × t <sub>SPICLKPROG</sub> - 1.5 |     | ns   |
| t <sub>SPICLM</sub> SPIx_CLK Low Period <sup>3</sup>   | 0.5 × t <sub>SPICLKPROG</sub> - 1.8 |     | ns   |
| t <sub>SPICLK</sub> SPIx_CLK Period <sup>3</sup>   | t <sub>SPICLKPROG</sub> - 1.5       |     | ns   |
| t <sub>HDSM</sub> Last SPIx_CLK Edge to $\overline{SPIx\_SEL}$ High for CPHA = 1 <sup>2</sup>  | 1.5 × t <sub>SPICLKPROG</sub> - 5   |     | ns   |
| Last SPIx_CLK Edge to $\overline{SPIx\_SEL}$ High for CPHA = 0 <sup>2</sup>                    | t <sub>SPICLKPROG</sub> - 5         |     | ns   |
| t <sub>SPITDM</sub> Sequential Transfer Delay <sup>2, 4</sup>                                  | t <sub>SPICLKPROG</sub> - 1.5       |     | ns   |
| t <sub>DDSPIDM</sub> SPIx_CLK Edge to Data Out Valid (Data Out Delay)                          |                                     | 2.7 | ns   |
| t <sub>HDSPIDM</sub> SPIx_CLK Edge to Data Out Invalid (Data Out Hold)                         | -3.75                               |     | ns   |

<sup>1</sup> All specifications apply to SPI0 and SPI1 only.

<sup>2</sup> Specification assumes the LEADX and LAGX bits in the SPI\_DLY register are 1.

<sup>3</sup> See Table 27 for details on the minimum period that can be programmed for t<sub>SPICLKPROG</sub>.

<sup>4</sup> Applies to sequential mode with STOP ≥ 1.

# ADSP-SC570/SC571/SC572/SC573/ADSP-21571/21573

Table 64. SPI2 Port—Master Timing<sup>1</sup>

| Parameter                        |   | Min                               | Max  | Unit |
|----------------------------------|---|-----------------------------------|------|------|
| <i>Timing Requirements</i>       |   |                                   |      |      |
| $t_{SSPIDM}$                     | Data Input Valid to SPIx_CLK Edge (Data Input Setup)                        | 2.7                               |      | ns   |
| $t_{HSPIDM}$                     | SPIx_CLK Sampling Edge to Data Input Invalid                                | 0.75                              |      | ns   |
| <i>Switching Characteristics</i> |   |                                   |      |      |
| $t_{SDSCIM}$                     | $\overline{SPIx\_SEL}$ low to First SPI_CLK Edge for CPHA = 1 <sup>2</sup>  | $t_{SPICLKPROG} - 5$              |      | ns   |
|                                  | $\overline{SPIx\_SEL}$ low to First SPI_CLK Edge for CPHA = 0 <sup>2</sup>  | $1.5 \times t_{SPICLKPROG} - 5$   |      | ns   |
| $t_{SPICHM}$                     | SPIx_CLK High Period <sup>3</sup>   | $0.5 \times t_{SPICLKPROG} - 1.5$ |      | ns   |
| $t_{SPICLM}$                     | SPIx_CLK Low Period <sup>3</sup>  | $0.5 \times t_{SPICLKPROG} - 1.5$ |      | ns   |
| $t_{SPICLK}$                     | SPIx_CLK Period <sup>3</sup>  | $t_{SPICLKPROG} - 1.5$            |      | ns   |
| $t_{HDSM}$                       | Last SPIx_CLK Edge to $\overline{SPIx\_SEL}$ High for CPHA = 1 <sup>2</sup> | $1.5 \times t_{SPICLKPROG} - 5$   |      | ns   |
|                                  | Last SPIx_CLK Edge to $\overline{SPIx\_SEL}$ High for CPHA = 0 <sup>2</sup> | $t_{SPICLKPROG} - 5$              |      | ns   |
| $t_{SPITDM}$                     | Sequential Transfer Delay <sup>2, 4</sup>                                   | $t_{SPICLKPROG} - 1.5$            |      | ns   |
| $t_{DDSPIDM}$                    | SPIx_CLK Edge to Data Out Valid (Data Out Delay)                            |                                   | 3.17 | ns   |
| $t_{HDSPIDM}$                    | SPIx_CLK Edge to Data Out Invalid (Data Out Hold)                           | -2.4                              |      | ns   |

<sup>1</sup>All specifications apply to SPI2 only.

<sup>2</sup>Specification assumes the LEADX and LAGX bits in the SPI\_DLY register are 1.

<sup>3</sup>See Table 27 for details on the minimum period that may be programmed for  $t_{SPICLKPROG}$ .

<sup>4</sup>Applies to sequential mode with STOP  $\geq 1$ .

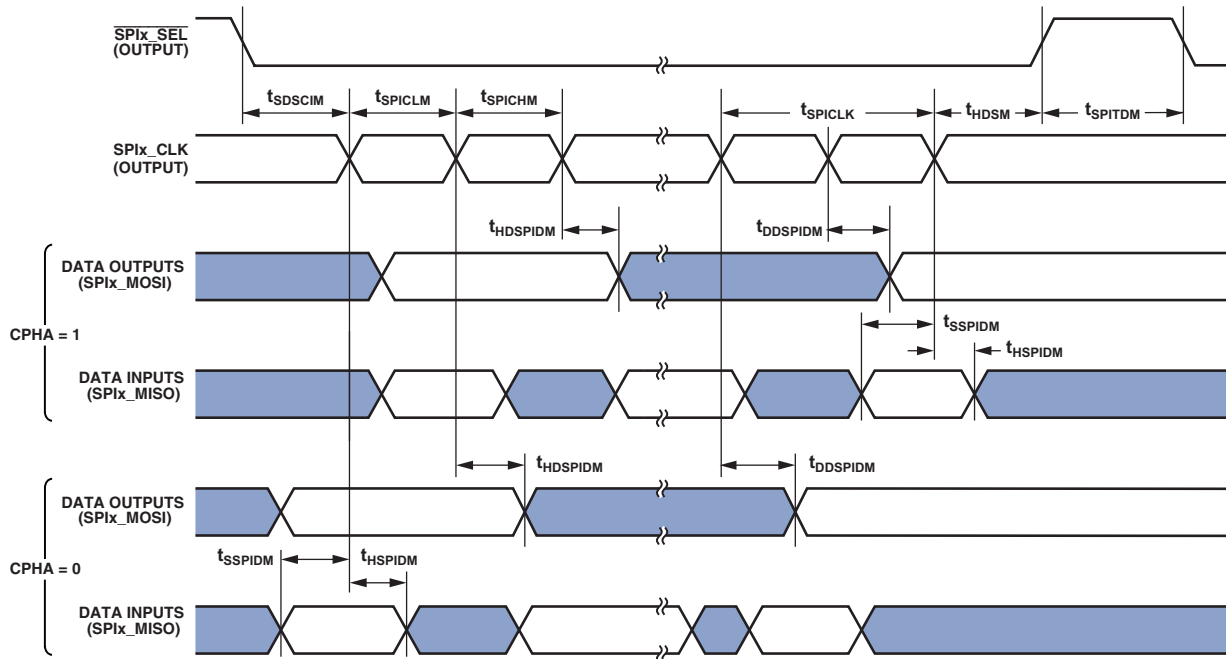


Figure 36. SPI Port—Master Timing

# ADSP-SC570/SC571/SC572/SC573/ADSP-21571/21573

## SPI Port—Slave Timing

### SPI0, SPI1, and SPI2

Table 65, Table 66, and Figure 37 describe SPI port slave operations. Note that

- In dual-mode data transmit, the SPIx\_MOSI signal is also an output.
- In quad-mode data transmit, the SPIx\_MOSI, SPIx\_D2, and SPIx\_D3 signals are also outputs.
- In dual-mode data receive, the SPIx\_MISO signal is also an input.
- In quad-mode data receive, the SPIx\_MISO, SPIx\_D2, and SPIx\_D3 signals are also inputs.
- In SPI slave mode, the SPI clock is supplied externally and is called  $f_{SPICLKEXT}$ :

$$t_{SPICLKEXT} = \frac{1}{f_{SPICLKEXT}}$$

- Quad mode is supported by SPI2 only.
- CPHA is a configuration bit in the SPI\_CTL register.

**Table 65. SPI0, SPI1 Port—Slave Timing<sup>1</sup>**

| Parameter  | Min                                | Max   | Unit |
|--|------------------------------------|-------|------|
| <i>Timing Requirements</i>   |                                    |       |      |
| t <sub>SPICHS</sub> SPIx_CLK High Period <sup>2</sup>                                  | 0.5 × t <sub>SPICLKEXT</sub> – 1.5 |       | ns   |
| t <sub>SPICLS</sub> SPIx_CLK Low Period <sup>2</sup>                                   | 0.5 × t <sub>SPICLKEXT</sub> – 1.5 |       | ns   |
| t <sub>SPICLK</sub> SPIx_CLK Period <sup>2</sup>                                       | t <sub>SPICLKEXT</sub> – 1.5       |       | ns   |
| t <sub>HDS</sub> Last SPIx_CLK Edge to $\overline{SPIx\_SS}$ Not Asserted              | 5                                  |       | ns   |
| t <sub>SPITDS</sub> Sequential Transfer Delay  | t <sub>SPICLKEXT</sub> – 1.5       |       | ns   |
| t <sub>SDSCI</sub> $\overline{SPIx\_SS}$ Assertion to First SPIx_CLK Edge              | 11.7                               |       | ns   |
| t <sub>SSPID</sub> Data Input Valid to SPIx_CLK Edge (Data Input Setup)                | 2                                  |       | ns   |
| t <sub>HSPID</sub> SPIx_CLK Sampling Edge to Data Input Invalid                        | 1.6                                |       | ns   |
| <i>Switching Characteristics</i>   |                                    |       |      |
| t <sub>D<sub>SOE</sub></sub> $\overline{SPIx\_SS}$ Assertion to Data Out Active        | 0                                  | 14.12 | ns   |
| t <sub>D<sub>SDHI</sub></sub> $\overline{SPIx\_SS}$ Deassertion to Data High Impedance | 0                                  | 12.6  | ns   |
| t <sub>D<sub>DSPID</sub></sub> SPIx_CLK Edge to Data Out Valid (Data Out Delay)        |                                    | 14.16 | ns   |
| t <sub>H<sub>DSPID</sub></sub> SPIx_CLK Edge to Data Out Invalid (Data Out Hold)       | 1.5                                |       | ns   |

<sup>1</sup>All specifications apply to SPI0 and SPI1.

<sup>2</sup>This specification indicates the minimum instantaneous width or period that can be tolerated due to duty cycle variation or jitter on the external SPIx\_CLK. For the external SPIx\_CLK ideal maximum frequency, see the  $f_{SPICLKEXT}$  specification in Table 27.

# ADSP-SC570/SC571/SC572/SC573/ADSP-21571/21573

Table 66. SPI2 Port—Slave Timing<sup>1</sup>

| Parameter  | Min                                | Max  | Unit |
|--|------------------------------------|------|------|
| <i>Timing Requirements</i>   |                                    |      |      |
| t <sub>SPICHS</sub> SPIx_CLK High Period <sup>2</sup>                              | 0.5 × t <sub>SPICLKEXT</sub> - 1.5 |      | ns   |
| t <sub>SPICLS</sub> SPIx_CLK Low Period <sup>2</sup>                               | 0.5 × t <sub>SPICLKEXT</sub> - 1.5 |      | ns   |
| t <sub>SPICLK</sub> SPIx_CLK Period <sup>2</sup>                                   | t <sub>SPICLKEXT</sub> - 1.5       |      | ns   |
| t <sub>HDS</sub> Last SPIx_CLK Edge to $\overline{\text{SPIx\_SS}}$ Not Asserted   | 5                                  |      | ns   |
| t <sub>SPITDS</sub> Sequential Transfer Delay                                      | t <sub>SPICLKEXT</sub> - 1.5       |      | ns   |
| t <sub>SDSCI</sub> $\overline{\text{SPIx\_SS}}$ Assertion to First SPIx_CLK Edge   | 10.5                               |      | ns   |
| t <sub>SSPID</sub> Data Input Valid to SPIx_CLK Edge (Data Input Setup)            | 2                                  |      | ns   |
| t <sub>HSPID</sub> SPIx_CLK Sampling Edge to Data Input Invalid                    | 1.6                                |      | ns   |
| <i>Switching Characteristics</i>   |                                    |      |      |
| t <sub>DSOE</sub> $\overline{\text{SPIx\_SS}}$ Assertion to Data Out Active        | 0                                  | 14   | ns   |
| t <sub>DSDHI</sub> $\overline{\text{SPIx\_SS}}$ Deassertion to Data High Impedance | 0                                  | 11.5 | ns   |
| t <sub>DDSPID</sub> SPIx_CLK Edge to Data Out Valid (Data Out Delay)               |                                    | 14   | ns   |
| t <sub>HDSPID</sub> SPIx_CLK Edge to Data Out Invalid (Data Out Hold)              | 1.5                                |      | ns   |

<sup>1</sup>All specifications apply to SPI2 only.

<sup>2</sup>This specification indicates the minimum instantaneous width or period that can be tolerated due to duty cycle variation or jitter on the external SPIx\_CLK. For the external SPIx\_CLK ideal maximum frequency, see the t<sub>SPICLKEXT</sub> specification in Table 27.

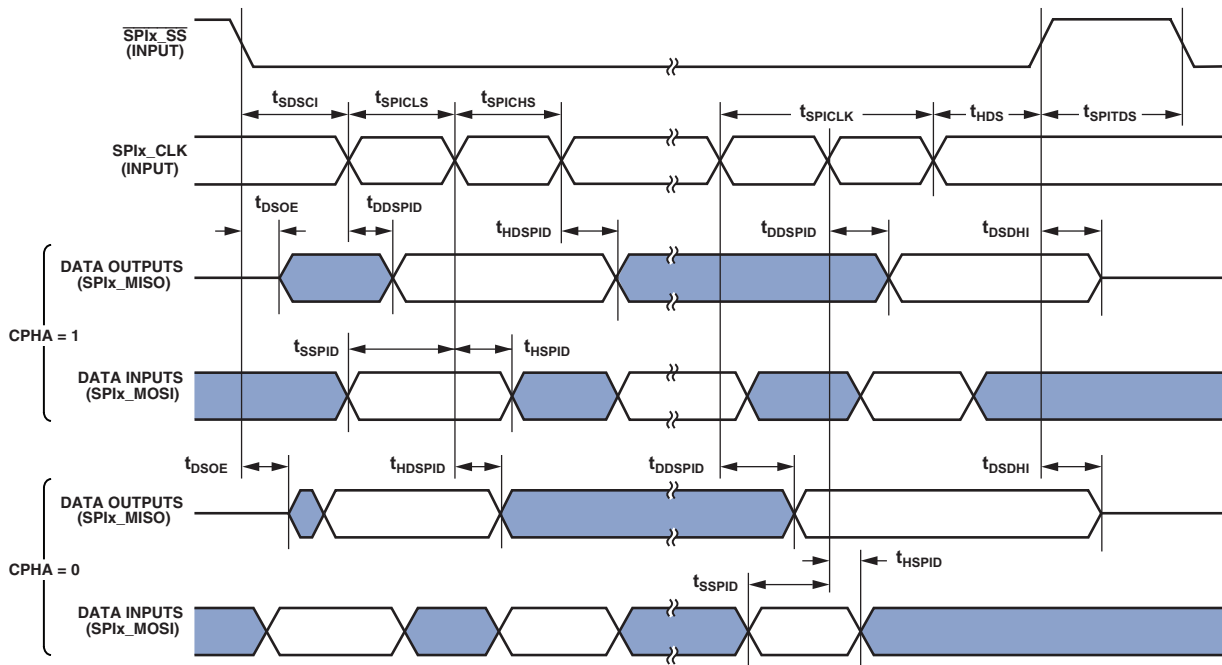


Figure 37. SPI Port—Slave Timing



# ADSP-SC570/SC571/SC572/SC573/ADSP-21571/21573

## SPI Port—SPIx\_RDY Slave Timing

SPIx\_RDY provides flow control. CPOL, CPHA, and FCCH are configuration bits in the SPIx\_CTL register.

**Table 67. SPI Port—SPIx\_RDY Slave Timing<sup>1</sup>**

| Parameter   | Conditions | Min                    | Max                         | Unit |
|---|------------|------------------------|-----------------------------|------|
| <i>Switching Characteristic</i>   |            |                        |                             |      |
| t <sub>DSPISCKRDYS</sub> SPIx_RDY Deassertion from Last Valid Input SPIx_CLK Edge | FCCH = 0   | 3 × t <sub>SCLK1</sub> | 4 × t <sub>SCLK1</sub> + 10 | ns   |
|   | FCCH = 1   | 4 × t <sub>SCLK1</sub> | 5 × t <sub>SCLK1</sub> + 10 | ns   |

<sup>1</sup> All specifications apply to all three SPIs.

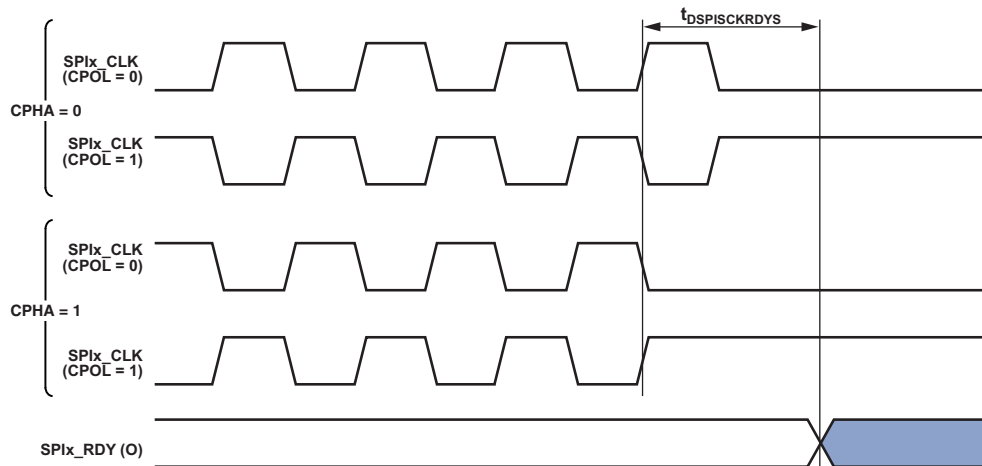


Figure 38. SPIx\_RDY Deassertion from Valid Input SPIx\_CLK Edge in Slave Mode

# ADSP-SC570/SC571/SC572/SC573/ADSP-21571/21573

## SPI Port—Open Drain Mode (ODM) Timing

In Figure 39 and Figure 40, the outputs can be SPIx\_MOSI, SPIx\_MISO, SPIx\_D2, and/or SPIx\_D3, depending on the mode of operation. CPOL and CPHA are configuration bits in the SPI\_CTL register.

Table 68. SPI Port—ODM Master Mode Timing<sup>1</sup>

| Parameter  | Min  | Max | Unit |
|--|------|-----|------|
| Switching Characteristics  |      |     |      |
| $t_{\text{HDSPIODMM}}$ SPIx_CLK Edge to High Impedance from Data Out Valid | -1.1 |     | ns   |
| $t_{\text{DDSPIODMM}}$ SPIx_CLK Edge to Data Out Valid from High Impedance | -1   | 6   | ns   |

<sup>1</sup>All specifications apply to all three SPIs.

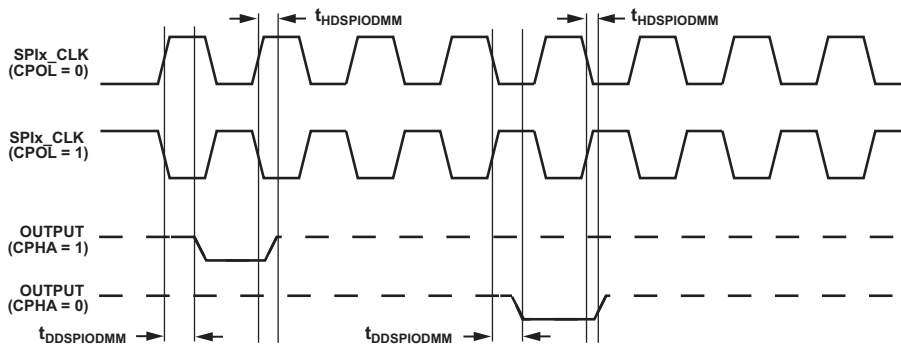


Figure 39. ODM Master Mode

Table 69. SPI Port—ODM Slave Mode<sup>1</sup>

| Parameter  | Min | Max | Unit |
|--|-----|-----|------|
| Timing Requirements  |     |     |      |
| $t_{\text{HDSPIODMS}}$ SPIx_CLK Edge to High Impedance from Data Out Valid | 0   |     | ns   |
| $t_{\text{DDSPIODMS}}$ SPIx_CLK Edge to Data Out Valid from High Impedance |     | 11  | ns   |

<sup>1</sup>All specifications apply to all three SPIs.

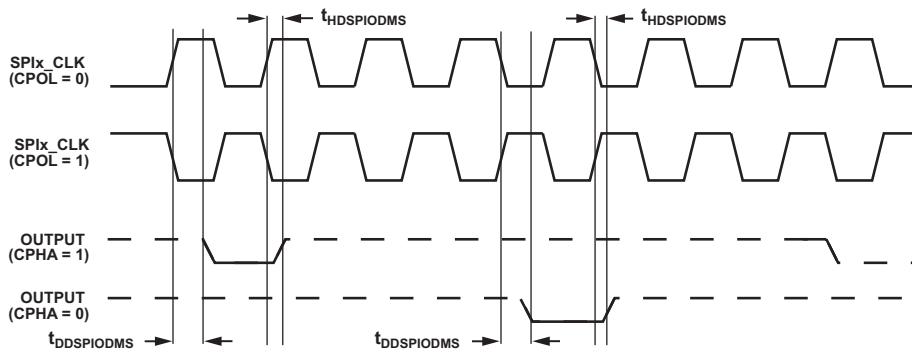


Figure 40. ODM Slave Mode

# ADSP-SC570/SC571/SC572/SC573/ADSP-21571/21573

## SPI Port—SPIx\_RDY Master Timing

SPIx\_RDY is used to provide flow control. CPOL and CPHA are configuration bits in the SPIx\_CTL register, while LEADX, LAGX, and STOP are configuration bits in the SPIx\_DLY register.

**Table 70. SPI Port—SPIx\_RDY Master Timing<sup>1</sup>**

| Parameter  | Conditions         | Min   | Max   | Unit |
|--|--------------------|---|---|------|
| <i>Timing Requirement</i>  |                    |   |   |      |
| t <sub>SRDYSCKM</sub> Setup Time for SPIx_RDY Deassertion Before Last Valid Data SPIx_CLK Edge   |                    | $(2 + 2 \times \text{BAUD}^2) \times t_{\text{SCLK1}} + 10$ |   | ns   |
| <i>Switching Characteristic</i>  |                    |   |   |      |
| t <sub>DRDYSCKM</sub> <sup>3</sup> Assertion of SPIx_RDY to First SPIx_CLK Edge of Next Transfer | BAUD = 0, CPHA = 0 | $4.5 \times t_{\text{SCLK1}}$                               | $5.5 \times t_{\text{SCLK1}} + 10$                            | ns   |
|  | BAUD = 0, CPHA = 1 | $4 \times t_{\text{SCLK1}}$                                 | $5 \times t_{\text{SCLK1}} + 10$                              | ns   |
|  | BAUD > 0, CPHA = 0 | $(1 + 1.5 \times \text{BAUD}^2) \times t_{\text{SCLK1}}$    | $(2 + 2.5 \times \text{BAUD}^2) \times t_{\text{SCLK1}} + 10$ | ns   |
|  | BAUD > 0, CPHA = 1 | $(1 + 1 \times \text{BAUD}^2) \times t_{\text{SCLK1}}$      | $(2 + 2 \times \text{BAUD}^2) \times t_{\text{SCLK1}} + 10$   | ns   |

<sup>1</sup> All specifications apply to all three SPIs.

<sup>2</sup> BAUD value is set using the SPIx\_CLK.BAUD bits. BAUD value = SPIx\_CLK.BAUD bits + 1.

<sup>3</sup> Specification assumes the LEADX, LAGX, and STOP bits in the SPI\_DLY register are zero.

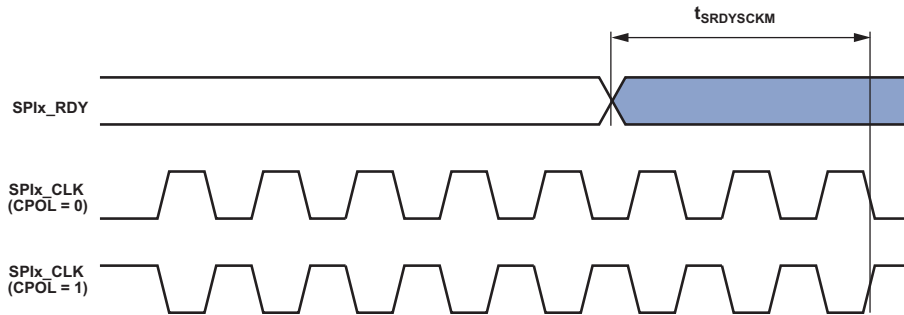


Figure 41. SPIx\_RDY Setup Before SPIx\_CLK

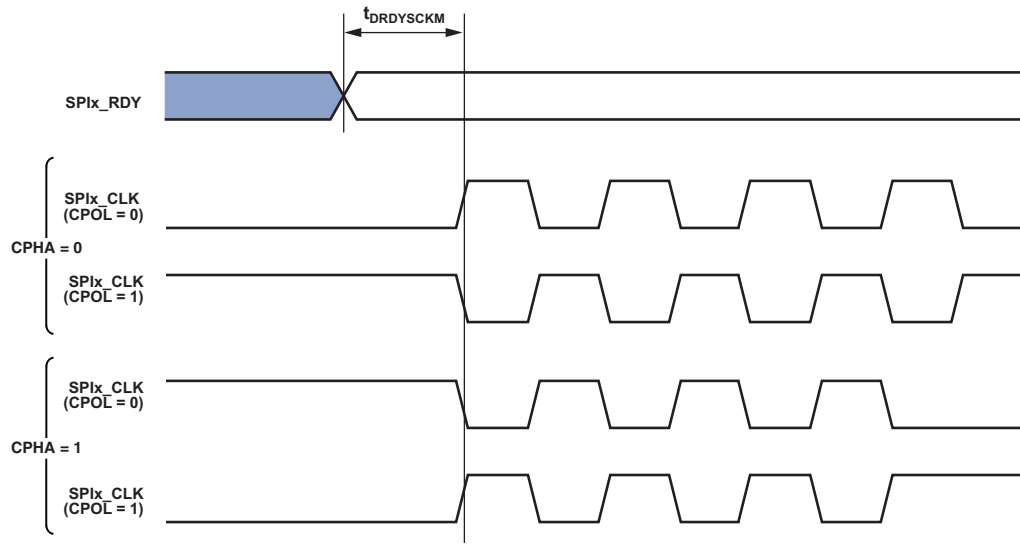


Figure 42. SPIx\_CLK Switching Diagram after SPIx\_RDY Assertion

# ADSP-SC570/SC571/SC572/SC573/ADSP-21571/21573

## Precision Clock Generator (PCG) (Direct Pin Routing)

This timing is only valid when the SRU is configured such that the precision clock generator (PCG) takes inputs directly from the DAI pins (via pin buffers) and sends outputs directly to the DAI pins. For the other cases, where the PCG inputs and outputs are not directly routed to/from DAI pins (via pin buffers), there is no timing data available. All timing parameters and switching characteristics apply to external DAI pins (DAI0\_PINx).

**Table 71. PCG (Direct Pin Routing)**

| Parameter  | Min                                       | Max  | Unit |
|--|---|--|------|
| <i>Timing Requirements</i>   |   |  |      |
| $t_{PCGIP}$ Input Clock Period   | $t_{SCLK} \times 2$                       |  | ns   |
| $t_{STRIG}$ PCG Trigger Setup Before Falling Edge of PCG Input Clock                 | 4.5                                       |  | ns   |
| $t_{HTRIG}$ PCG Trigger Hold After Falling Edge of PCG Input Clock                   | 3   |  | ns   |
| <i>Switching Characteristics</i>   |   |  |      |
| $t_{DPCGIO}$ PCG Output Clock and Frame Sync Active Edge Delay After PCG Input Clock | 2.5                                       | 13.5                                       | ns   |
| $t_{DTRIGCLK}$ PCG Output Clock Delay After PCG Trigger                              | $2.5 + (2.5 \times t_{PCGIP})$            | $13.5 + (2.5 \times t_{PCGIP})$            | ns   |
| $t_{DTRIGFS}^1$ PCG Frame Sync Delay After PCG Trigger                               | $2.5 + ((2.5 + D - PH) \times t_{PCGIP})$ | $13.5 + ((2.5 + D - PH) \times t_{PCGIP})$ | ns   |
| $t_{PCGOW}^2$ Output Clock Period  | $2 \times t_{PCGIP} - 1$                  |  | ns   |

<sup>1</sup> D = FSxDIV, PH = FSxPHASE. For more information, see the [ADSP-SC57x/ADSP-2157x SHARC+ Processor Hardware Reference](#).

<sup>2</sup> Normal mode of operation.

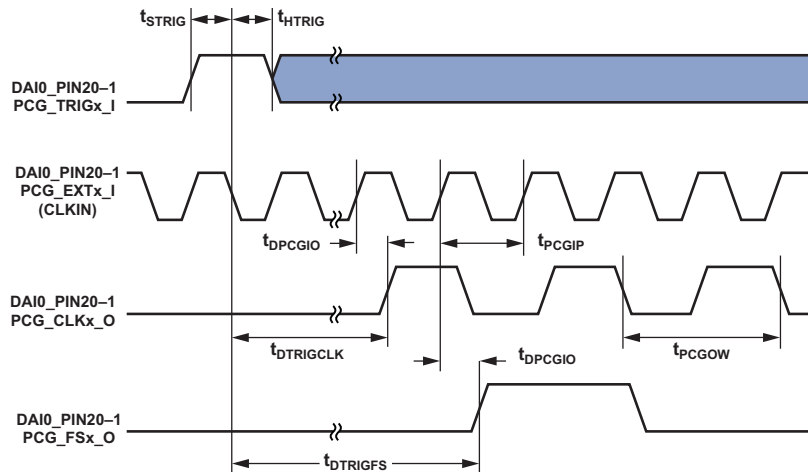


Figure 43. PCG (Direct Pin Routing)

# ADSP-SC570/SC571/SC572/SC573/ADSP-21571/21573

## General-Purpose IO Port Timing

Table 72 and Figure 44 describe I/O timing, related to the general-purpose ports (PORT).

Table 72. General-Purpose Port Timing

| Parameter  | Min                        | Max | Unit |
|--|----------------------------|-----|------|
| <i>Timing Requirement</i>                            |                            |     |      |
| $t_{WFI}$ General-Purpose Port Pin Input Pulse Width | $2 \times t_{SCLK0} - 1.5$ |     | ns   |

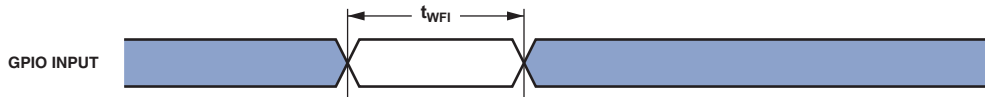


Figure 44. General-Purpose Port Timing

## General-Purpose I/O Timer Cycle Timing

Table 73, Table 74, and Figure 45 describe timer expired operations related to the general-purpose timer (TIMER). The input signal is asynchronous in Width Capture Mode and External Clock Mode and has an absolute maximum input frequency of  $f_{SCLK}/4$  MHz. The Width Value value is the timer period assigned in the  $TMx\_TMRn\_WIDTH$  register and can range from 1 to  $2^{32} - 1$ . When externally generated, the  $TMx\_CLK$  clock is called  $f_{TMRCLKEXT}$ :

$$t_{TMRCLKEXT} = \frac{1}{f_{TMRCLKEXT}}$$

Table 73. Timer Cycle Timing—Internal Mode

| Parameter  | Min                           | Max                           | Unit |
|--|-------------------------------|-------------------------------|------|
| <i>Timing Requirements</i>   |                               |                               |      |
| $t_{WL}$ Timer Pulse Width Input Low (Measured In SCLK Cycles) <sup>1</sup>  | $2 \times t_{SCLK}$           |                               | ns   |
| $t_{WH}$ Timer Pulse Width Input High (Measured In SCLK Cycles) <sup>1</sup> | $2 \times t_{SCLK}$           |                               | ns   |
| <i>Switching Characteristic</i>  |                               |                               |      |
| $t_{HTO}$ Timer Pulse Width Output (Measured In SCLK Cycles) <sup>2</sup>    | $t_{SCLK} \times WIDTH - 1.5$ | $t_{SCLK} \times WIDTH + 1.5$ | ns   |

<sup>1</sup>The minimum pulse width applies for timer signals in width capture and external clock modes.

<sup>2</sup>WIDTH refers to the value in the  $TMRx\_WIDTH$  register (it can vary from 2 to  $2^{32} - 1$ ).

Table 74. Timer Cycle Timing—External Mode

| Parameter   | Min                               | Max                               | Unit |
|---|-----------------------------------|-----------------------------------|------|
| <i>Timing Requirements</i>  |                                   |                                   |      |
| $t_{WL}$ Timer Pulse Width Input Low (Measured In EXT_CLK Cycles) <sup>1</sup>  | $2 \times t_{EXT\_CLK}$           |                                   | ns   |
| $t_{WH}$ Timer Pulse Width Input High (Measured In EXT_CLK Cycles) <sup>1</sup> | $2 \times t_{EXT\_CLK}$           |                                   | ns   |
| $t_{EXT\_CLK}$ Timer External Clock Period <sup>2</sup>                         | $t_{TMRCLKEXT}$                   |                                   | ns   |
| <i>Switching Characteristic</i>   |                                   |                                   |      |
| $t_{HTO}$ Timer Pulse Width Output (Measured In EXT_CLK Cycles) <sup>3</sup>    | $t_{EXT\_CLK} \times WIDTH - 1.5$ | $t_{EXT\_CLK} \times WIDTH + 1.5$ | ns   |

<sup>1</sup>The minimum pulse width applies for timer signals in width capture and external clock modes.

<sup>2</sup>This specification indicates the minimum instantaneous width or period that can be tolerated due to duty cycle variation or jitter on the external  $TMR\_CLK$ . For the external  $TMR\_CLK$  maximum frequency, see the  $f_{TMRCLKEXT}$  specification in Table 27.

<sup>3</sup>WIDTH refers to the value in the  $TMRx\_WIDTH$  register (it can vary from 1 to  $2^{32} - 1$ ).



Figure 45. Timer Cycle Timing

### DAI0 Pin to DAI0 Pin Direct Routing

Table 75 and Figure 46 describe I/O timing related to the DAI for direct pin connections only (for example, DAI0\_PB01\_I to DAI0\_PB02\_O).

Table 75. DAI Pin to DAI Pin Routing

| Parameter  | Min | Max | Unit |
|--|-----|-----|------|
| <i>Switching Characteristic</i>                          |     |     |      |
| $t_{DPIO}$ Delay DAI Pin Input Valid to DAI Output Valid | 1.5 | 12  | ns   |



Figure 46. DAI Pin to DAI Pin Direct Routing

### Up/Down Counter/Rotary Encoder Timing

Table 76 and Figure 47 describe timing, related to the general-purpose counter (CNT).

Table 76. Up/Down Counter/Rotary Encoder Timing

| Parameter   | Min                  | Max | Unit |
|---|----------------------|-----|------|
| <i>Timing Requirement</i>                                     |                      |     |      |
| $t_{WCOUNT}$ Up/Down Counter/Rotary Encoder Input Pulse Width | $2 \times t_{SCLK0}$ |     | ns   |



Figure 47. Up/Down Counter/Rotary Encoder Timing

# ADSP-SC570/SC571/SC572/SC573/ADSP-21571/21573

## ADC Controller Module (ACM) Timing

Table 77 and Figure 48 describe ACM operations.

When internally generated, the programmed ACM clock ( $f_{\text{ACLKPROG}}$ ) frequency in megahertz is set by the following equation where CKDIV is a field in the ACM\_TC0 register and ranges from 1 to 255:

$$f_{\text{ACLKPROG}} = \frac{f_{\text{SCLK1}}}{\text{CKDIV} + 1}$$

$$t_{\text{ACLKPROG}} = \frac{1}{f_{\text{ACLKPROG}}}$$

Setup cycles (SC) in Table 77 is also a field in the ACM\_TC0 register and ranges from 0 to 4095. Hold Cycles (HC) is a field in the ACM\_TC1 register that ranges from 0 to 15.

Table 77. ACM Timing

| Parameter   | Min  | Max | Unit |
|---|--|-----|------|
| <i>Timing Requirements</i>  |  |     |      |
| $t_{\text{SDR}}$ SPORT DRxPRI/DRxSEC Setup Before ACMx_CLK                                      | 3.4  |     | ns   |
| $t_{\text{HDR}}$ SPORT DRxPRI/DRxSEC Hold After ACMx_CLK  | 1.5  |     | ns   |
| <i>Switching Characteristics</i>  |  |     |      |
| $t_{\text{SCTLCS}}$ ACM Controls (ACMx_A[4:0]) Setup Before Assertion of $\overline{\text{CS}}$ | $(\text{SC} + 1) \times t_{\text{SCLK1}} - 4.88$ |     | ns   |
| $t_{\text{HCTLCS}}$ ACM Control (ACMx_A[4:0]) Hold After Deassertion of $\overline{\text{CS}}$  | $\text{HC} \times t_{\text{ACLKPROG}} - 1$       |     | ns   |
| $t_{\text{ACLKW}}$ ACM Clock Pulse Width <sup>1</sup>   | $(0.5 \times t_{\text{ACLKPROG}}) - 1.6$         |     | ns   |
| $t_{\text{ACLK}}$ ACM Clock Period <sup>1</sup>   | $t_{\text{ACLKPROG}} - 1.5$                      |     | ns   |
| $t_{\text{HCSACLK}}$ $\overline{\text{CS}}$ Hold to ACMx_CLK Edge                               | -2.5   |     | ns   |
| $t_{\text{SCSACLK}}$ $\overline{\text{CS}}$ Setup to ACMx_CLK Edge                              | $t_{\text{ACLKPROG}} - 3.5$                      |     | ns   |

<sup>1</sup> See Table 27 for details on the minimum period that can be programmed for  $t_{\text{ACLKPROG}}$ .

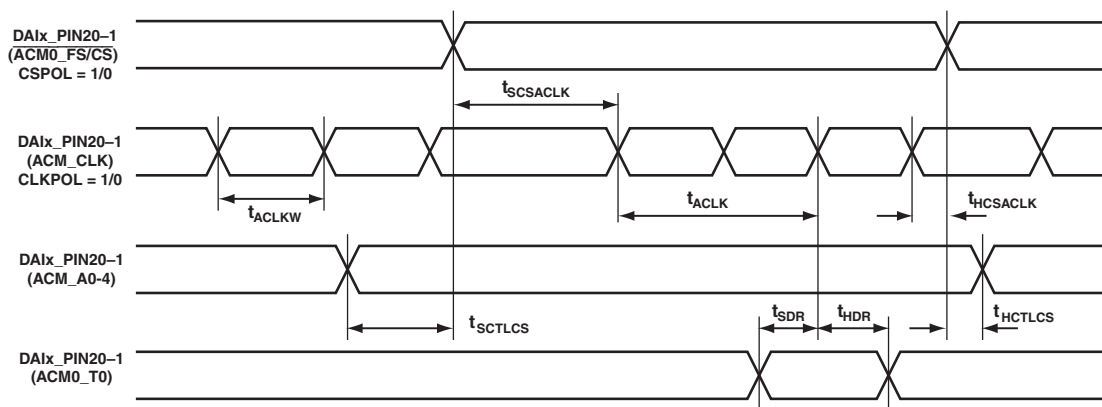


Figure 48. ACM Timing



# ADSP-SC570/SC571/SC572/SC573/ADSP-21571/21573

## **Universal Asynchronous Receiver-Transmitter (UART) Ports—Receive and Transmit Timing**

The UART ports receive and transmit operations are described in the [ADSP-SC57x/ADSP-2157x SHARC+ Processor Hardware Reference](#).

## **Controller Area Network (CAN) Interface**

The CAN interface timing is described in the [ADSP-SC57x/ADSP-2157x SHARC+ Processor Hardware Reference](#).

## **Universal Serial Bus (USB)**

[Table 78](#) describes the universal serial bus (USB) clock timing. Refer to the *USB 2.0 Specification* for timing and dc specifications for USB pins (including output characteristics for driver types E, F, and G listed in the [ADSP-SC57x/ADSP-2157x Designer Quick Reference](#)).

**Table 78. USB Clock Timing<sup>1</sup>**

| Parameter                  |                                     | Min | Max | Unit |
|----------------------------|-------------------------------------|-----|-----|------|
| <i>Timing Requirements</i> |                                     |     |     |      |
| $f_{\text{USBS}}$          | USB_CLKIN Frequency                 | 24  | 24  | MHz  |
| $f_{\text{SUSB}}$          | USB_CLKIN Clock Frequency Stability | -50 | +50 | ppm  |

<sup>1</sup>This specification is supported by USB0.

# ADSP-SC570/SC571/SC572/SC573/ADSP-21571/21573

## 10/100 EMAC Timing

Table 79 through Table 83 and Figure 49 through Figure 53 describe the MII and RMII EMAC operations.

Table 79. 10/100 EMAC Timing: MII Receive Signal

| Parameter <sup>1</sup>     | V <sub>DDEXT</sub> 3.3V Nominal  |     | Unit |
|----------------------------|--|-----|------|
|                            | Min  | Max |      |
| <i>Timing Requirements</i> |  |     |      |
| t <sub>ERXCLKF</sub>       | ETH0_RXCLK_REFCLK Frequency (f <sub>SCLK</sub> = SCLK Frequency)         |     | MHz  |
| t <sub>ERXCLKW</sub>       | ETH0_RXCLK_REFCLK Width (t <sub>ERXCLK</sub> = ETH0_RXCLK_REFCLK Period) |     | ns   |
| t <sub>ERXCLKIS</sub>      | Rx Input Valid to ETH0_RXCLK_REFCLK Rising Edge (Data In Setup)          |     | ns   |
| t <sub>ERXCLKIH</sub>      | ETH0_RXCLK_REFCLK Rising Edge to Rx Input Invalid (Data In Hold)         |     | ns   |

<sup>1</sup>MII inputs synchronous to ETH0\_RXCLK\_REFCLK are ETH0\_RXD3-0, ETH0\_RXCTL\_RXDV, and ETH0\_RXERR.

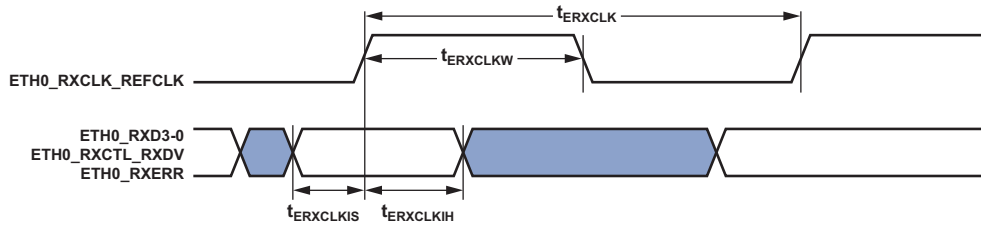


Figure 49. 10/100 EMAC Timing: MII Receive Signal

Table 80. 10/100 EMAC Timing: MII Transmit Signal

| Parameter <sup>1</sup>           | V <sub>DDEXT</sub> 3.3V Nominal                             |     | Unit |
|----------------------------------|---|-----|------|
|                                  | Min   | Max |      |
| <i>Timing Requirements</i>       |   |     |      |
| t <sub>ETXCLKF</sub>             | ETH0_TXCLK Frequency (f <sub>SCLK</sub> = SCLK Frequency)   |     | MHz  |
| t <sub>ETXCLKW</sub>             | ETH0_TXCLK Width (t <sub>ETXCLK</sub> = ETH0_TXCLK Period)  |     | ns   |
| <i>Switching Characteristics</i> |   |     |      |
| t <sub>ETXCLKOV</sub>            | ETH0_TXCLK Rising Edge to Tx Output Valid (Data Out Valid)  |     | ns   |
| t <sub>ETXCLKOH</sub>            | ETH0_TXCLK Rising Edge to Tx Output Invalid (Data Out Hold) |     | ns   |

<sup>1</sup>MII outputs synchronous to ETH0\_TXCLK are ETH0\_TXD3-0.

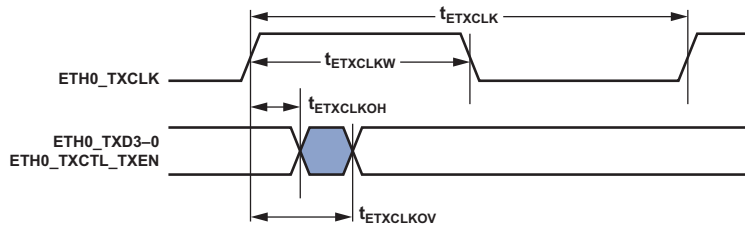


Figure 50. 10/100 EMAC Timing: MII Transmit Signal

# ADSP-SC570/SC571/SC572/SC573/ADSP-21571/21573

**Table 81. 10/100 EMAC Timing—RMII Receive Signal**

| Parameter <sup>1</sup>     |   | Min                      | Max                      | Unit |
|----------------------------|---|--------------------------|--------------------------|------|
| <i>Timing Requirements</i> |   |                          |                          |      |
| $t_{REFCLKF}$              | ETH0_RXCLK_REFCLK Frequency ( $f_{SCLK0}$ = SCLK0 Frequency)          | None                     | 50 + 1%                  | MHz  |
| $t_{REFCLKW}$              | ETH0_RXCLK_REFCLK Width ( $t_{REFCLKF}$ = ETH0_RXCLK_REFCLK Period)   | $t_{REFCLK} \times 35\%$ | $t_{REFCLK} \times 65\%$ | ns   |
| $t_{REFCLKIS}$             | Rx Input Valid to RMII ETH0_RXCLK_REFCLK Rising Edge (Data In Setup)  | 1.75                     |                          | ns   |
| $t_{REFCLKIH}$             | RMII ETH0_RXCLK_REFCLK Rising Edge to Rx Input Invalid (Data In Hold) | 1.6                      |                          | ns   |

<sup>1</sup> RMII inputs synchronous to RMII ETH0\_RXCLK\_REFCLK are ETH0\_RXD1-0, RMII ETH0\_RXCTL\_RXDV, and ETH0\_RXERR.

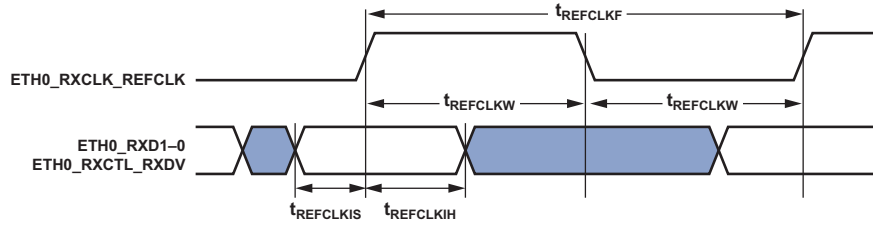


Figure 51. 10/100 EMAC Controller Timing—RMII Receive Signal

**Table 82. 10/100 EMAC Timing—RMII Transmit Signal**

| Parameter <sup>1</sup>           |   | Min | Max  | Unit |
|----------------------------------|---|-----|------|------|
| <i>Switching Characteristics</i> |   |     |      |      |
| $t_{REFCLKOV}$                   | RMII ETH0_RXCLK_REFCLK Rising Edge to Transmit Output Valid (Data Out Valid)  |     | 11.9 | ns   |
| $t_{REFCLKOH}$                   | RMII ETH0_RXCLK_REFCLK Rising Edge to Transmit Output Invalid (Data Out Hold) | 2   |      | ns   |

<sup>1</sup> RMII outputs synchronous to RMII ETH0\_RXCLK\_REFCLK are ETH0\_TXD1-0.

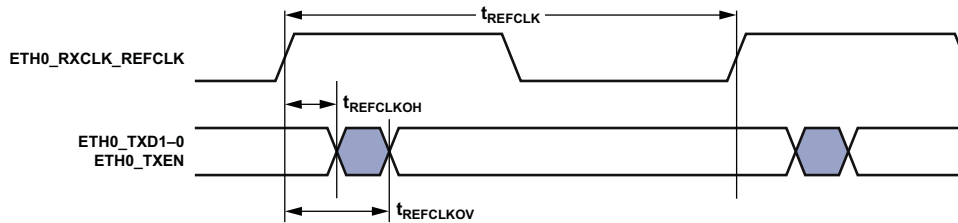


Figure 52. 10/100 EMAC Controller Timing—RMII Transmit Signal

# ADSP-SC570/SC571/SC572/SC573/ADSP-21571/21573

Table 83. 10/100/1000 EMAC Timing—RMII and RGMII Station Management

| Parameter <sup>1</sup>   | Min               | Max             | Unit |
|--|-------------------|-----------------|------|
| <i>Timing Requirements</i>   |                   |                 |      |
| $t_{MDIOS}$ ETH0_MDIO Input Valid to ETH0_MDC Rising Edge (Setup)    | 12.6              |                 | ns   |
| $t_{MDCIH}$ ETH0_MDC Rising Edge to ETH0_MDIO Input Invalid (Hold)   | 0                 |                 | ns   |
| <i>Switching Characteristics</i>                                     |                   |                 |      |
| $t_{MDCOV}$ ETH0_MDC Falling Edge to ETH0_MDIO Output Valid          |                   | $t_{SCLK0} + 2$ | ns   |
| $t_{MDCOH}$ ETH0_MDC Falling Edge to ETH0_MDIO Output Invalid (Hold) | $t_{SCLK0} - 2.9$ |                 | ns   |

<sup>1</sup>ETH0\_MDC/ETH0\_MDIO is a 2-wire serial bidirectional port for controlling one or more external PHYs. ETH0\_MDC is an output clock with a minimum period that is programmable as a multiple of the system clock SCLK0. ETH0\_MDIO is a bidirectional data line.



Figure 53. 10/100/1000 Ethernet MAC Controller Timing—RMII and RGMII Station Management

# ADSP-SC570/SC571/SC572/SC573/ADSP-21571/21573

## 10/100/1000 EMAC Timing

Table 84 and Figure 54 describe the RGMII EMAC timing.

**Table 84. 10/100/1000 EMAC Timing—RGMII Receive and Transmit Signals**

| Parameter                        |  | Min                        | Max                        | Unit |
|----------------------------------|--|----------------------------|----------------------------|------|
| <i>Timing Requirements</i>       |  |                            |                            |      |
| $t_{SETUPR}$                     | Data to Clock Input Setup at Receiver    | 1                          |                            | ns   |
| $t_{HOLDR}$                      | Data to Clock Input Hold at Receiver     | 1                          |                            | ns   |
| $t_{GREFCLKF}$                   | RGMII Receive Clock Period               | 8                          |                            | ns   |
| $t_{GREFCLKW}$                   | RGMII Receive Clock Pulse Width          | 4                          |                            | ns   |
| <i>Switching Characteristics</i> |  |                            |                            |      |
| $t_{SKEWT}$                      | Data to Clock Output Skew at Transmitter | -0.5                       | +0.5                       | ns   |
| $t_{CYC}$                        | Clock Cycle Duration                     | 7.2                        | 8.8                        | ns   |
| $t_{DUTY\_G}$                    | Duty Cycle for RGMII Minimum             | $t_{GREFCLKF} \times 45\%$ | $t_{GREFCLKF} \times 55\%$ | ns   |

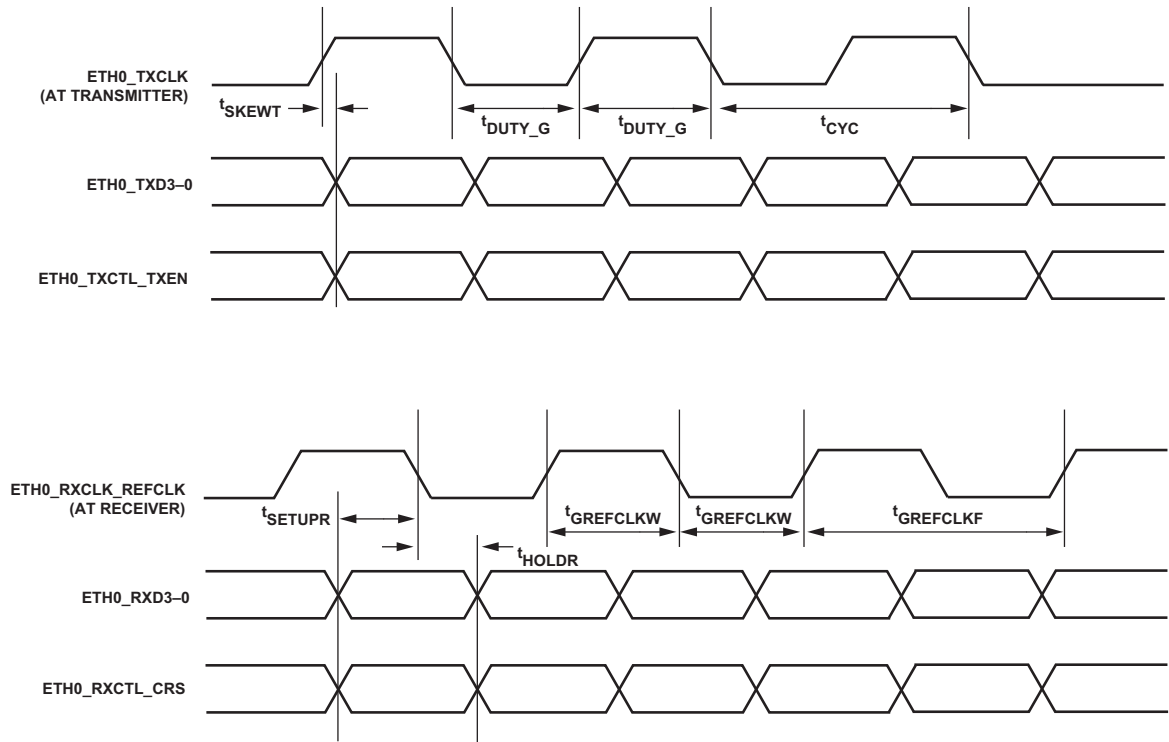


Figure 54. EMAC Timing—RGMII

# ADSP-SC570/SC571/SC572/SC573/ADSP-21571/21573

## Sony/Philips Digital Interface (S/PDIF) Transmitter

Serial data input to the S/PDIF transmitter can be formatted as left justified, I<sup>2</sup>S, or right justified with word widths of 16, 18, 20, or 24 bits. The following sections provide timing for the transmitter.

### S/PDIF Transmitter Serial Input Waveforms

Figure 55 and Table 85 show the right justified mode. Frame sync is high for the left channel and low for the right channel. Data is valid on the rising edge of serial clock. The MSB is delayed the minimum in 24-bit output mode or the maximum in 16-bit output mode from a frame sync transition, so that when there are 64 serial clock periods per frame sync period, the LSB of the data is right justified to the next frame sync transition.

Table 85. S/PDIF Transmitter Right Justified Mode

| Parameter                 | Conditions                                      | Nominal  | Unit                         |
|---------------------------|---|--|------------------------------|
| <i>Timing Requirement</i> |   |  |                              |
| $t_{RJD}$                 | Frame Sync to MSB Delay in Right Justified Mode | 16-bit word mode<br>18-bit word mode<br>20-bit word mode<br>24-bit word mode | SCLK<br>SCLK<br>SCLK<br>SCLK |

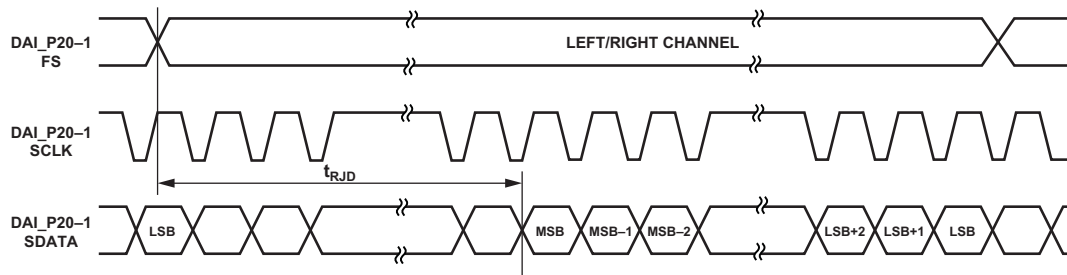


Figure 55. Right Justified Mode

# ADSP-SC570/SC571/SC572/SC573/ADSP-21571/21573

Figure 56 and Table 86 show the default I<sup>2</sup>S justified mode. The frame sync is low for the left channel and high for the right channel. Data is valid on the rising edge of serial clock. The MSB is left justified to the frame sync transition but with a delay.

**Table 86. S/PDIF Transmitter I<sup>2</sup>S Mode**

| Parameter   | Nominal | Unit |
|---|---------|------|
| <i>Timing Requirement</i>                                   |         |      |
| $t_{I2SD}$ Frame Sync to MSB Delay in I <sup>2</sup> S Mode | 1       | SCLK |

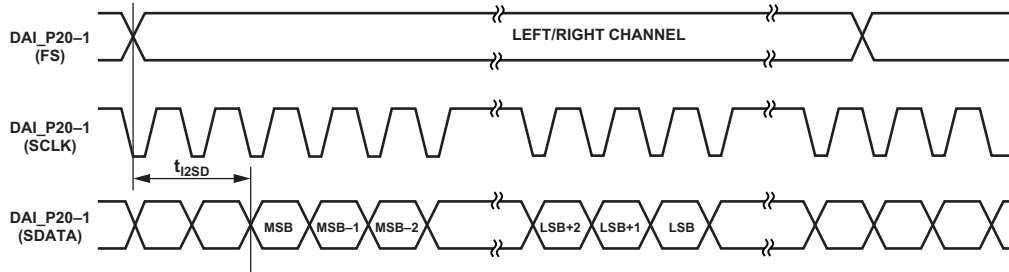


Figure 56. I<sup>2</sup>S Justified Mode

Figure 57 and Table 87 show the left justified mode. The frame sync is high for the left channel and low for the right channel. Data is valid on the rising edge of serial clock. The MSB is left justified to the frame sync transition with no delay.

**Table 87. S/PDIF Transmitter Left Justified Mode**

| Parameter  | Nominal | Unit |
|--|---------|------|
| <i>Timing Requirement</i>                                |         |      |
| $t_{LJD}$ Frame Sync to MSB Delay in Left Justified Mode | 0       | SCLK |

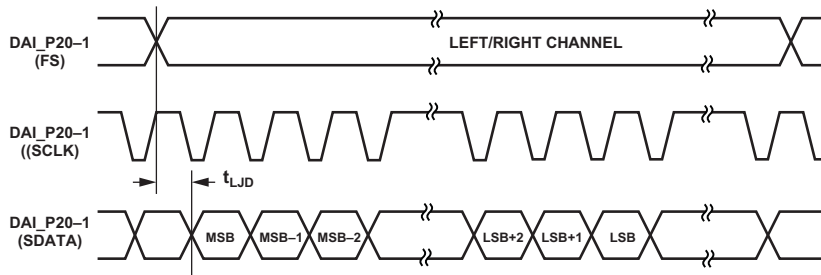


Figure 57. Left Justified Mode

# ADSP-SC570/SC571/SC572/SC573/ADSP-21571/21573

## S/PDIF Transmitter Input Data Timing

The timing requirements for the S/PDIF transmitter are given in Table 88. Input signals are routed to the DAI0\_PINx pins using the SRU. Therefore, the timing specifications provided below are valid at the DAI0\_PINx pins.

Table 88. S/PDIF Transmitter Input Data Timing

| Parameter  | Min | Max | Unit |
|--|-----|-----|------|
| <i>Timing Requirements</i>                                     |     |     |      |
| $t_{SISFS}^1$ Frame Sync Setup Before Serial Clock Rising Edge | 3   |     | ns   |
| $t_{SIHFS}^1$ Frame Sync Hold After Serial Clock Rising Edge   | 3   |     | ns   |
| $t_{SISD}^1$ Data Setup Before Serial Clock Rising Edge        | 3   |     | ns   |
| $t_{SIHD}^1$ Data Hold After Serial Clock Rising Edge          | 3   |     | ns   |
| $t_{SITXCLKW}$ Transmit Clock Width                            | 9   |     | ns   |
| $t_{SITXCLK}$ Transmit Clock Period                            | 20  |     | ns   |
| $t_{SISCLKW}$ Clock Width                                      | 36  |     | ns   |
| $t_{SISCLK}$ Clock Period                                      | 80  |     | ns   |

<sup>1</sup>The serial clock, data, and frame sync signals can come from any of the DAI pins. The serial clock and frame sync signals can also come via PCG or SPORTs. The input of the PCG can be either CLKIN or any of the DAI pins.

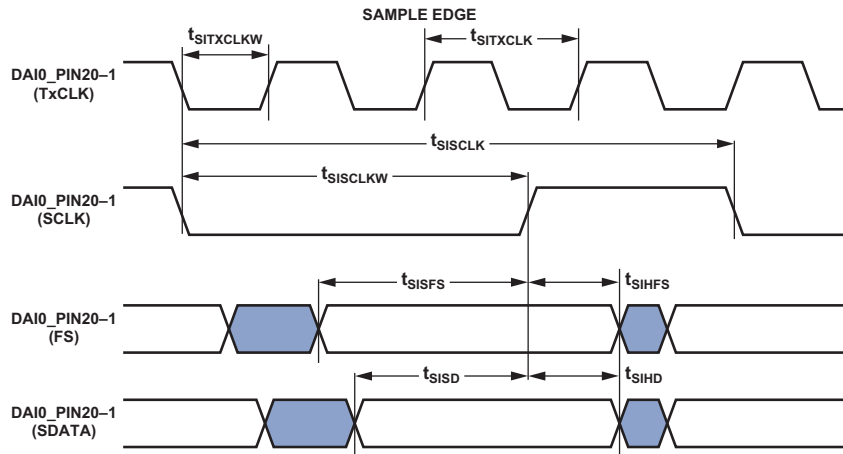


Figure 58. S/PDIF Transmitter Input Timing

## Oversampling Clock (TxCLK) Switching Characteristics

The S/PDIF transmitter requires an oversampling clock input. This high frequency clock (TxCLK) input is divided down to generate the internal biphasic clock.

Table 89. Oversampling Clock (TxCLK) Switching Characteristics

| Parameter   | Max  | Unit |
|---|--|------|
| <i>Switching Characteristics</i>                        |  |      |
| $f_{TXCLK\_384}$ Frequency for TxCLK = 384 × Frame Sync | Oversampling ratio × frame sync $\leq 1/t_{SITXCLK}$ | MHz  |
| $f_{TXCLK\_256}$ Frequency for TxCLK = 256 × Frame Sync | 49.2   | MHz  |
| $f_{FS}$ Frame Rate (FS)                                | 192.0  | kHz  |



# ADSP-SC570/SC571/SC572/SC573/ADSP-21571/21573

## S/PDIF Receiver

The following section describes timing as it relates to the S/PDIF receiver.

### Internal Digital PLL Mode

In the internal digital PLL mode, the internal digital PLL generates the  $512 \times FS$  clock.

**Table 90. S/PDIF Receiver Internal Digital PLL Mode Timing**

| Parameter                        |  | Min | Max | Unit |
|----------------------------------|--|-----|-----|------|
| <i>Switching Characteristics</i> |  |     |     |      |
| $t_{DFSI}$                       | Frame Sync Delay After Serial Clock    |     | 5   | ns   |
| $t_{HOFSI}$                      | Frame Sync Hold After Serial Clock     | -2  |     | ns   |
| $t_{DDTI}$                       | Transmit Data Delay After Serial Clock |     | 5   | ns   |
| $t_{HDTI}$                       | Transmit Data Hold After Serial Clock  | -2  |     | ns   |



Figure 59. S/PDIF Receiver Internal Digital PLL Mode Timing

# ADSP-SC570/SC571/SC572/SC573/ADSP-21571/21573

## MediaLB (MLB)

All the numbers shown in [Table 91](#) are applicable for all MLB speed modes (1024 FS, 512 FS, and 256 FS) for the 3-pin protocol, unless otherwise specified. Refer to the *Media Local Bus Specification version 4.2* for more details.

**Table 91. 3-Pin MLB Interface Specifications**

| Parameter   | Min | Typ  | Max | Unit |
|---|-----|------|-----|------|
| $t_{MLBCLK}$ MLB Clock Period                                 |     | 20.3 |     | ns   |
|   |     | 40   |     | ns   |
|   |     | 81   |     | ns   |
| $t_{MCKL}$ MLBCLK Low Time                                    | 6.1 |      |     | ns   |
|   | 14  |      |     | ns   |
|   | 30  |      |     | ns   |
| $t_{MCKH}$ MLBCLK High Time                                   | 9.3 |      |     | ns   |
|   | 14  |      |     | ns   |
|   | 30  |      |     | ns   |
| $t_{MCKR}$ MLBCLK Rise Time ( $V_{IL}$ to $V_{IH}$ )          |     |      | 1   | ns   |
|   |     |      | 3   | ns   |
| $t_{MCKF}$ MLBCLK Fall Time ( $V_{IH}$ to $V_{IL}$ )          |     |      | 1   | ns   |
|   |     |      | 3   | ns   |
| $t_{MPWV}^1$ MLBCLK Pulse Width Variation                     |     |      | 0.7 | nspp |
|   |     |      | 2.0 | nspp |
| $t_{DSMCF}$ DAT/SIG Input Setup Time                          | 1   |      |     | ns   |
| $t_{DHMCF}$ DAT/SIG Input Hold Time                           | 2   |      |     | ns   |
| $t_{MCFDZ}$ DAT/SIG Output Time to Three-State                | 0   |      | 15  | ns   |
| $t_{MCDRV}$ DAT/SIG Output Data Delay From MLBCLK Rising Edge |     |      | 8   | ns   |
| $t_{MDZH}^2$ Bus Hold Time                                    | 2   |      |     | ns   |
|   | 4   |      |     | ns   |
| $C_{MLB}$ DAT/SIG Pin Load                                    |     |      | 40  | pf   |
|   |     |      | 60  | pf   |

<sup>1</sup> Pulse width variation is measured at 1.25 V by triggering on one edge of MLBCLK and measuring the spread on the other edge, measured in nanoseconds peak-to-peak.

<sup>2</sup> Board designs must ensure the high impedance bus does not leave the logic state of the final driven bit for this time period. Therefore, coupling must be minimized while meeting the maximum capacitive load listed.

# ADSP-SC570/SC571/SC572/SC573/ADSP-21571/21573



Figure 60. MLB Timing (3-Pin Interface)

The ac timing specifications of the 6-pin MLB interface is detailed in [Table 92](#). Refer to the *Media Local Bus Specification version 4.2* for more details.

**Table 92. 6-Pin MLB Interface Specifications**

| Parameter   | Conditions  | Min  | Typ    | Max   | Unit |
|-------------|---|--|--------|-------|------|
| $t_{MT}$    | Differential Transition Time at the Input Pin (See <a href="#">Figure 61</a> )  |  |        | 1     | ns   |
| $f_{MCKE}$  | MLBCP/N External Clock Operating Frequency (See <a href="#">Figure 62</a> ) <sup>1</sup>  | 20% to 80% $V_{IN+}/V_{IN-}$<br>80% to 20% $V_{IN+}/V_{IN-}$ |        |       | MHz  |
| $f_{MCKR}$  | Recovered Clock Operating Frequency (Internal, Not Observable at Pins, Only for Timing References) (See <a href="#">Figure 62</a> ) | 2048 × FS at 44.0 kHz<br>2048 × FS at 50.0 kHz               | 90.112 | 102.4 | MHz  |
| $t_{DELAY}$ | Transmitter MLBSP/N (MLBDP/N) Output Valid From Transition of MLBCP/N (Low to High) (See <a href="#">Figure 63</a> )                | $f_{MCKR} = 2048 \times FS$                                  | 0.6    | 5     | ns   |
| $t_{PHZ}$   | Disable Turnaround Time From Transition of MLBCP/N (Low to High) (See <a href="#">Figure 64</a> )                                   | $f_{MCKR} = 2048 \times FS$                                  | 0.6    | 7     | ns   |
| $t_{PLZ}$   | Enable Turnaround Time From Transition of MLBCP/N (Low to High) (See <a href="#">Figure 64</a> )                                    | $f_{MCKR} = 2048 \times FS$                                  | 0.6    | 11.2  | ns   |
| $t_{SU}$    | MLBSP/N (MLBDP/N) Valid to Transition of MLBCP/N (Low to High) (See <a href="#">Figure 63</a> )                                     | $f_{MCKR} = 2048 \times FS$                                  | 1      |       | ns   |
| $t_{HD}$    | MLBSP/N (MLBDP/N) Hold From Transition of MLBCP/N (Low to High) (See <a href="#">Figure 63</a> ) <sup>2</sup>                       |  | 0.6    |       | ns   |

<sup>1</sup>  $f_{MCKE}$  (maximum) and  $f_{MCKR}$  (maximum) include maximum cycle to cycle system jitter ( $t_{JITTER}$ ) of 600 ps for a bit error rate of 10E-9.

<sup>2</sup> Receivers must latch MLBSP/N (MLBDP/N) data within  $t_{HD}$  (minimum) of the rising edge of MLBCP/N.

# ADSP-SC570/SC571/SC572/SC573/ADSP-21571/21573



Figure 61. MLB 6-Pin Transition Time

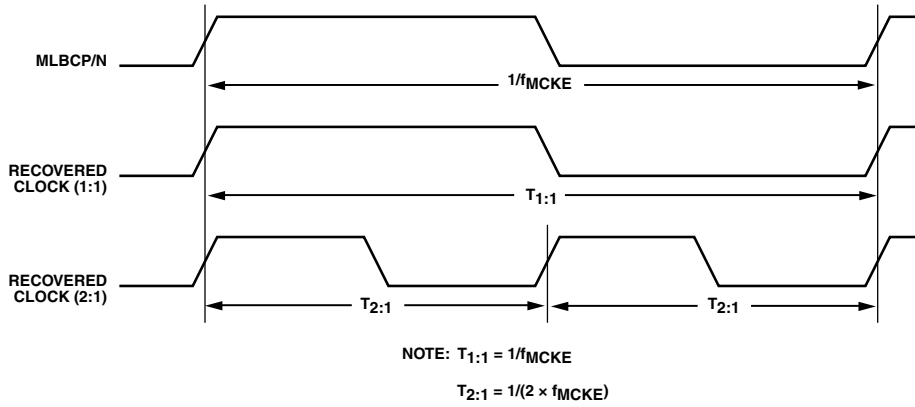


Figure 62. MLB 6-Pin Clock Definitions



Figure 63. MLB 6-Pin Delay, Setup, and Hold Times

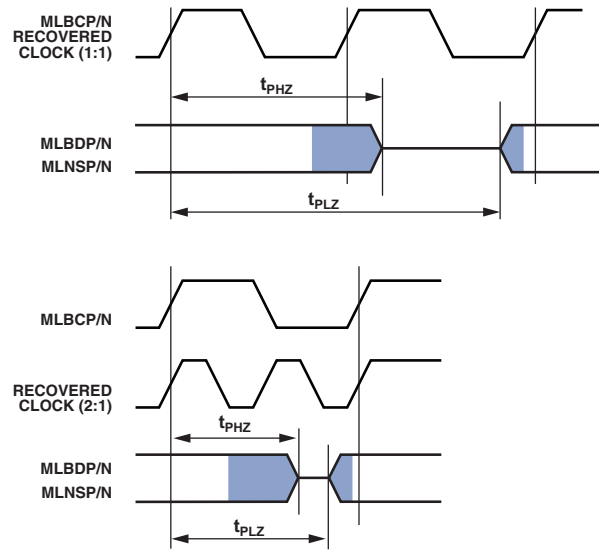


Figure 64. MLB 6-Pin Disable and Enable Turnaround Times

# ADSP-SC570/SC571/SC572/SC573/ADSP-21571/21573

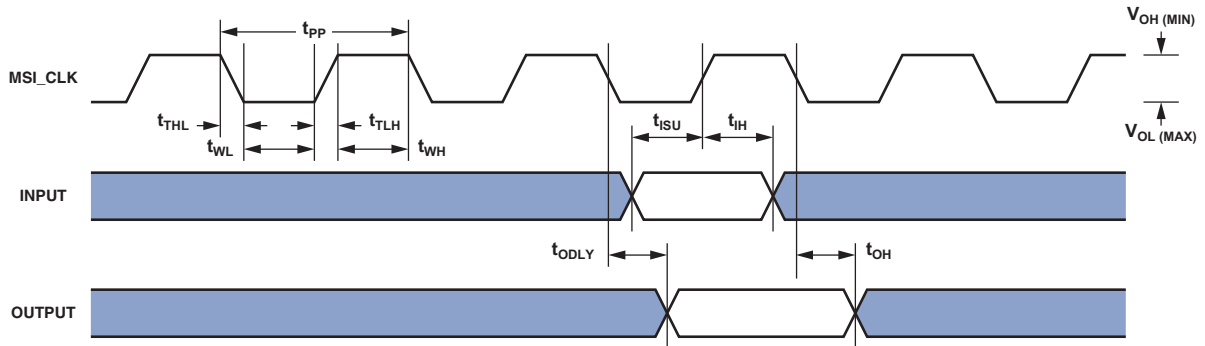
## Mobile Storage Interface (MSI) Controller Timing

Table 93 and Figure 65 show I/O timing related to the MSI.

**Table 93. MSI Controller Timing**

| Parameter  | Min  | Max | Unit |
|--|------|-----|------|
| <i>Timing Requirements</i>                               |      |     |      |
| $t_{ISU}$ Input Setup Time                               | 4.8  |     | ns   |
| $t_{IH}$ Input Hold Time                                 | -0.5 |     | ns   |
| <i>Switching Characteristics</i>                         |      |     |      |
| $f_{PP}$ Clock Frequency Data Transfer Mode <sup>1</sup> |      | 45  | MHz  |
| $t_{WL}$ Clock Low Time                                  | 8    |     | ns   |
| $t_{WH}$ Clock High Time                                 | 8    |     | ns   |
| $t_{TLH}$ Clock Rise Time                                |      | 3   | ns   |
| $t_{THL}$ Clock Fall Time                                |      | 3   | ns   |
| $t_{ODLY}$ Output Delay Time During Data Transfer Mode   |      | 2.1 | ns   |
| $t_{OH}$ Output Hold Time                                | -1.8 |     | ns   |

<sup>1</sup>  $t_{PP} = 1/f_{PP}$ .



NOTES:  
 1 INPUT INCLUDES MSI\_Dx AND MSI\_CMD SIGNALS.  
 2 OUTPUT INCLUDES MSI\_Dx AND MSI\_CMD SIGNALS.

Figure 65. MSI Controller Timing

# ADSP-SC570/SC571/SC572/SC573/ADSP-21571/21573

## Program Trace Macrocell (PTM) Timing

Table 94 and Figure 66 provide I/O timing related to the PTM.

Table 94. Trace Timing

| Parameter  | Min                          | Max                        | Unit |
|--|------------------------------|----------------------------|------|
| <i>Switching Characteristics</i>                     |                              |                            |      |
| $t_{DTRD}$ TRACE Data Delay From Trace Clock Maximum |                              | $0.5 \times t_{SCLK0} + 4$ | ns   |
| $t_{HTRD}$ TRACE Data Hold From Trace Clock Minimum  | $0.5 \times t_{SCLK0} - 2.2$ |                            | ns   |
| $t_{PTRCK}$ TRACE Clock Period Minimum               | $2 \times t_{SCLK0} - 1$     |                            | ns   |

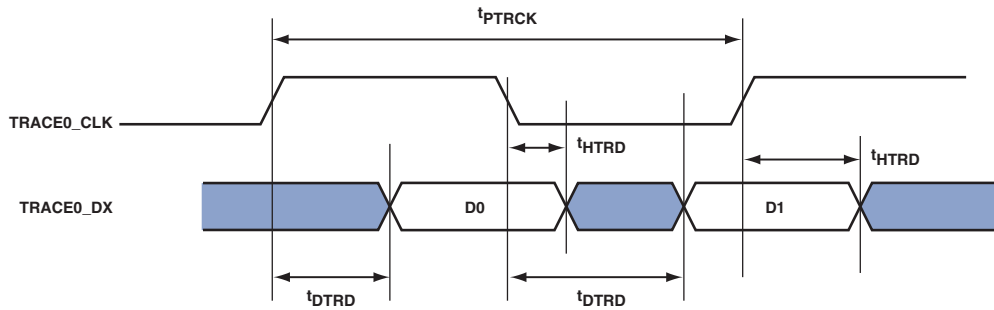


Figure 66. Trace Timing



# ADSP-SC570/SC571/SC572/SC573/ADSP-21571/21573

## Debug Interface (JTAG Emulation Port) Timing

Table 95 and Figure 67 provide I/O timing related to the debug interface (JTAG Emulator Port).

**Table 95. JTAG Emulation Port Timing**

| Parameter                        |  | Min | Max  | Unit     |
|----------------------------------|--|-----|------|----------|
| <i>Timing Requirements</i>       |  |     |      |          |
| $t_{TCK}$                        | JTG_TCK Period   | 20  |      | ns       |
| $t_{STAP}$                       | JTG_TDI, JTG_TMS Setup Before JTG_TCK High                                   | 4   |      | ns       |
| $t_{HTAP}$                       | JTG_TDI, JTG_TMS Hold After JTG_TCK High                                     | 4   |      | ns       |
| $t_{SSYS}$                       | System Inputs Setup Before JTG_TCK High <sup>1</sup>                         | 12  |      | ns       |
| $t_{HSYS}$                       | System Inputs Hold After JTG_TCK High <sup>1</sup>                           | 5   |      | ns       |
| $t_{TRSTW}$                      | $\overline{JTG\_TRST}$ Pulse Width (measured in JTG_TCK cycles) <sup>2</sup> | 4   |      | $T_{CK}$ |
| <i>Switching Characteristics</i> |  |     |      |          |
| $t_{DTDO}$                       | JTG_TDO Delay From JTG_TCK Low   |     | 13.5 | ns       |
| $t_{DSYS}$                       | System Outputs Delay After JTG_TCK Low <sup>3</sup>                          |     | 17   | ns       |

<sup>1</sup> System Inputs = MLB0\_CLKP, MLB0\_DATP, MLB0\_SIGP, DAI0\_PIN20-01, DMC0\_A15-0, DMC0\_DQ15-0,  $\overline{DMC0\_RESET}$ , PA\_15-0, PB\_15-0, PC\_15-0, PD\_15-0, PE\_15-0, PF\_11-0, SYS\_BMODE2-0, SYS\_FAULT,  $\overline{SYS\_FAULT}$ , SYS\_RESOUT, TWI2-0\_SCL, TWI2-0\_SDA2.

<sup>2</sup> 50 MHz maximum.

<sup>3</sup> System Outputs = DMC0\_A15-0, DMC0\_BA2-0,  $\overline{DMC0\_CAS}$ , DMC0\_CK, DMC0\_CKE,  $\overline{DMC0\_CS0}$ , DMC0\_DQ15-0, DMC0\_LDM, DMC0\_LDQS, DMC0\_ODT,  $\overline{DMC0\_RAS}$ ,  $\overline{DMC0\_RESET}$ , DMC0\_UDM, DMC0\_UDQS,  $\overline{DMC0\_WE}$ , MLB0\_DATP, MLB0\_SIGP, PA\_15-0, PB\_15-0, PC\_15-0, PD\_15-0, PE\_15-0, PF\_11-0, SYS\_BMODE2-0, SYS\_CLKOUT, SYS\_FAULT,  $\overline{SYS\_FAULT}$ , SYS\_RESOUT.

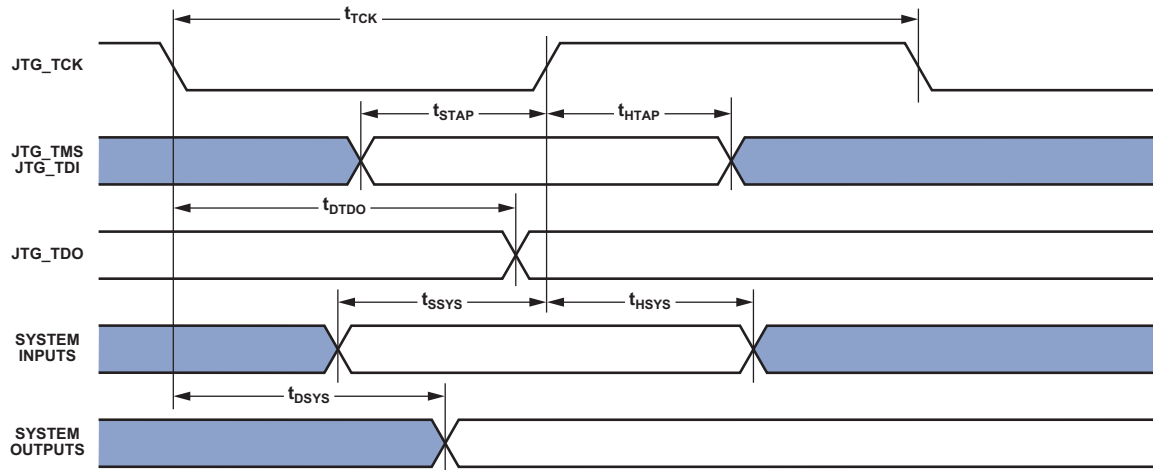


Figure 67. JTAG Port Timing

# ADSP-SC570/SC571/SC572/SC573/ADSP-21571/21573

## OUTPUT DRIVE CURRENTS

Figure 68 through Figure 80 show typical current-voltage characteristics for the output drivers of the ADSP-SC57x and ADSP-2157x processors. The curves represent the current drive capability of the output drivers as a function of output voltage.

Output drive currents for MLB pins are compliant with MOST150 LVDS specifications. Output drive currents for USB pins are compliant with the USB 2.0 specifications.



Figure 68. Driver Type A Current (3.3 V  $V_{DD\_EXT}$ )

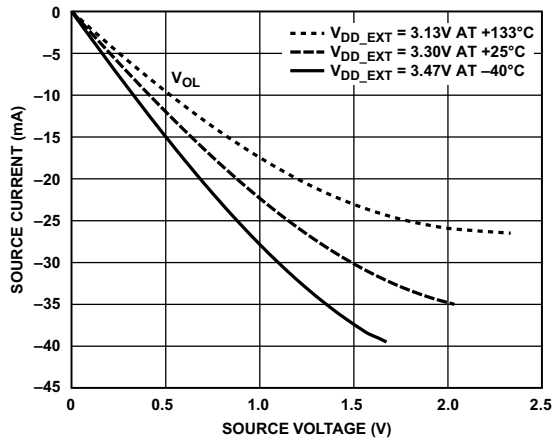


Figure 69. Driver Type D Current (3.3 V  $V_{DD\_EXT}$ )

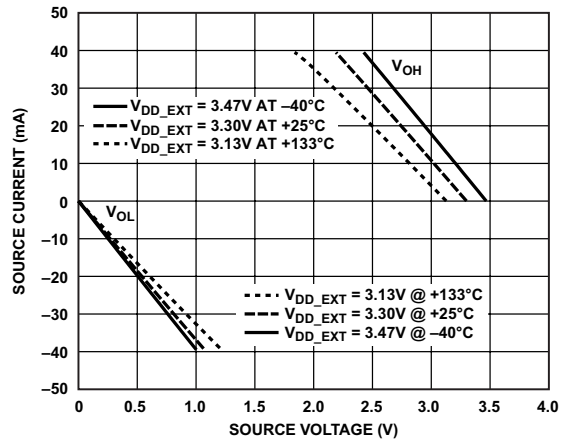


Figure 70. Driver Type H Current (3.3 V  $V_{DD\_EXT}$ )

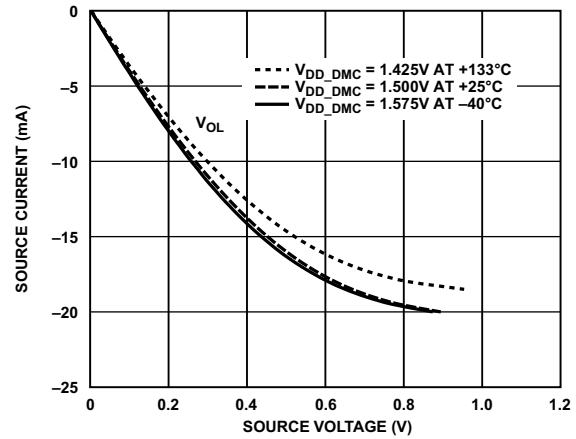


Figure 71. Driver Type B and Driver Type C (DDR3 Drive Strength 40  $\Omega$ )

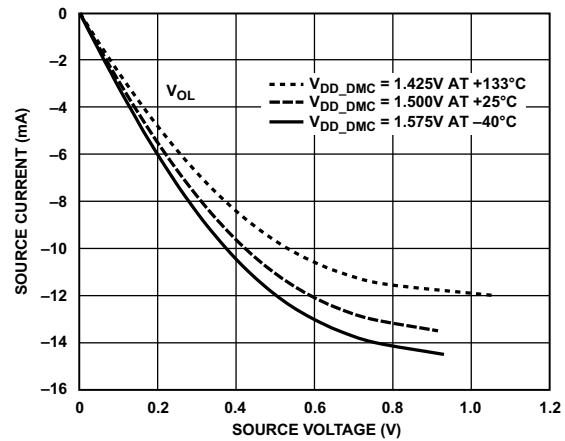


Figure 72. Driver Type B and Driver Type C (DDR3 Drive Strength 60  $\Omega$ )

# ADSP-SC570/SC571/SC572/SC573/ADSP-21571/21573



Figure 73. Driver Type B and Driver Type C (DDR3 Drive Strength 40 Ω)

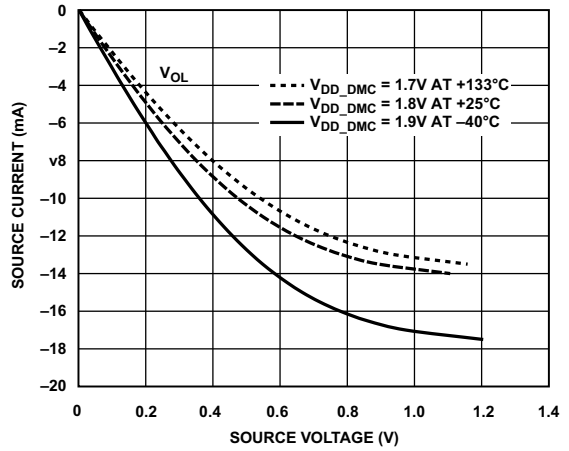


Figure 76. Driver Type B and Driver Type C (DDR2 Drive Strength 60 Ω)



Figure 74. Driver Type B and Driver Type C (DDR3 Drive Strength 60 Ω)

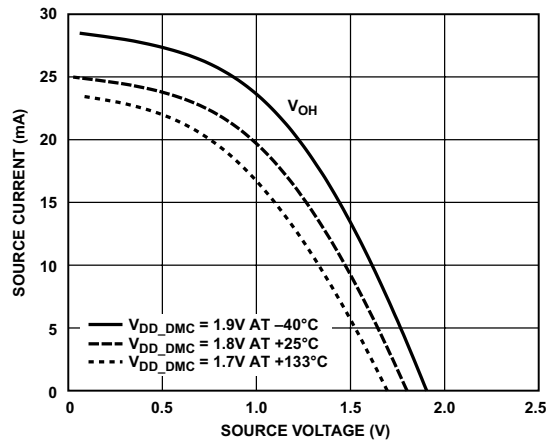


Figure 77. Driver Type B and Driver Type C (DDR2 Drive Strength 40 Ω)

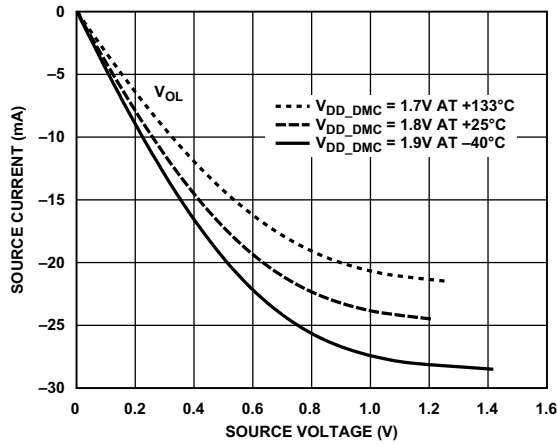


Figure 75. Driver Type B and Driver Type C (DDR2 Drive Strength 40 Ω)

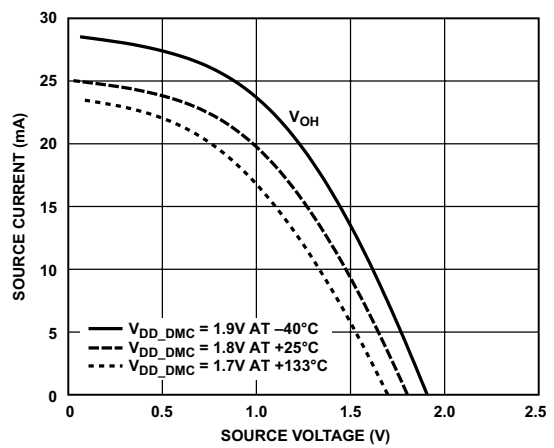


Figure 78. Driver Type B and Driver Type C (DDR2 Drive Strength 60 Ω)

# ADSP-SC570/SC571/SC572/SC573/ADSP-21571/21573



Figure 79. Driver Type B and Device Driver C (LPDDR)

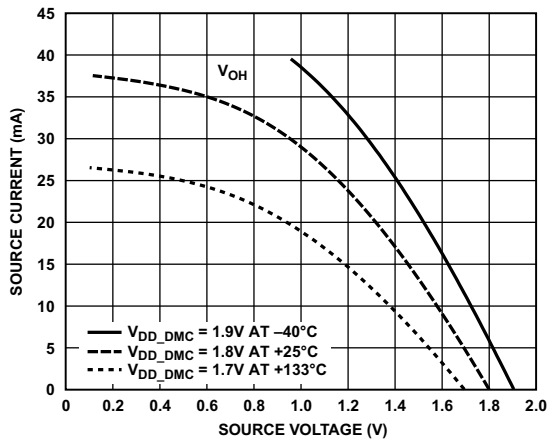


Figure 80. Driver Type B and Device Driver C (LPDDR)

## TEST CONDITIONS

All timing parameters appearing in this data sheet were measured under the conditions described in this section. Figure 81 shows the measurement point for ac measurements (except output enable/disable). The measurement point,  $V_{MEAS}$ , is  $V_{DD\_EXT}/2$  for  $V_{DD\_EXT}$  (nominal) = 3.3 V.



Figure 81. Voltage Reference Levels for AC Measurements (Except Output Enable/Disable)

## Output Enable Time Measurement

Output pins are considered enabled when they make a transition from a high impedance state to the point when they start driving.

The output enable time,  $t_{ENA}$ , is the interval from the point when a reference signal reaches a high or low voltage level to the point when the output starts driving, as shown on the right side of Figure 82. If multiple pins are enabled, the measurement value is that of the first pin to start driving.

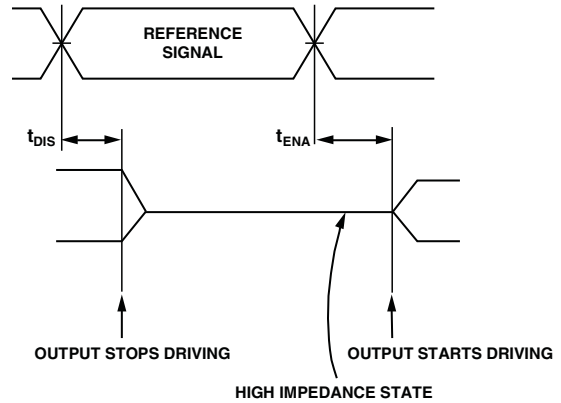


Figure 82. Output Enable/Disable

## Output Disable Time Measurement

Output pins are considered disabled when they stop driving, enter a high impedance state, and start to decay from the output high or low voltage. The output disable time,  $t_{DIS}$ , is the interval from when a reference signal reaches a high or low voltage level to the point when the output stops driving, as shown on the left side of Figure 82).

## Capacitive Loading

Output delays and holds are based on standard capacitive loads of an average of 6 pF on all pins (see Figure 83).  $V_{LOAD}$  is equal to  $V_{DD\_EXT}/2$ . Figure 84 through Figure 88 show how output rise time varies with capacitance. The delay and hold specifications given must be derated by a factor derived from these figures. The graphs in Figure 84 through Figure 88 cannot be linear outside the ranges shown.

# ADSP-SC570/SC571/SC572/SC573/ADSP-21571/21573



**NOTES:**  
 THE WORST CASE TRANSMISSION LINE DELAY IS SHOWN AND CAN BE USED FOR THE OUTPUT TIMING ANALYSIS TO REFLECT THE TRANSMISSION LINE EFFECT AND MUST BE CONSIDERED. THE TRANSMISSION LINE (TD) IS FOR LOAD ONLY AND DOES NOT AFFECT THE DATA SHEET TIMING SPECIFICATIONS.

ANALOG DEVICES RECOMMENDS USING THE IBIS MODEL TIMING FOR A GIVEN SYSTEM REQUIREMENT. IF NECESSARY, THE SYSTEM CAN INCORPORATE EXTERNAL DRIVERS TO COMPENSATE FOR ANY TIMING DIFFERENCES.

Figure 83. Equivalent Device Loading for AC Measurements  
 (Includes All Fixtures)



Figure 84. Driver Type A Typical Rise and Fall Times (10% to 90%) vs. Load Capacitance ( $V_{DD\_EXT} = 3.3\text{ V}$ )

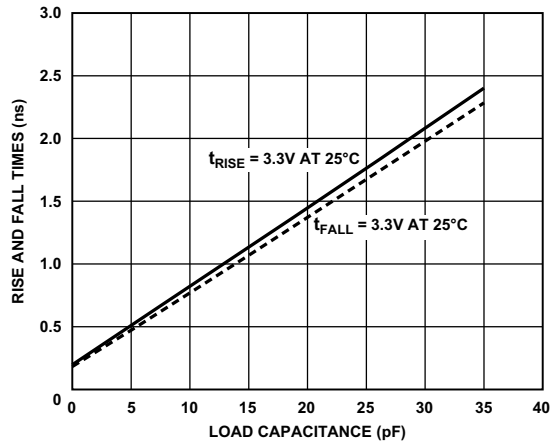


Figure 85. Driver Type H Typical Rise and Fall Times (10% to 90%) vs. Load Capacitance ( $V_{DD\_EXT} = 3.3\text{ V}$ )

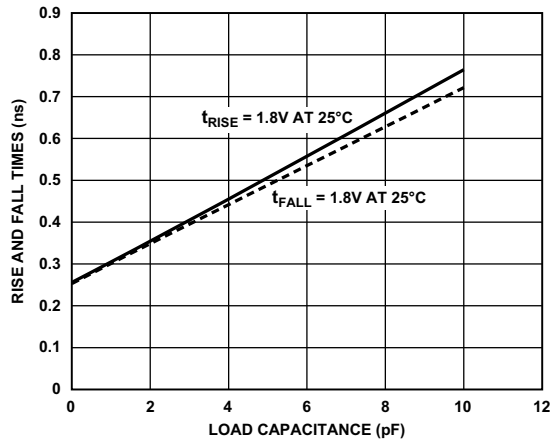


Figure 86. Driver Type B and Driver Type C Typical Rise and Fall Times (10% to 90%) vs. Load Capacitance ( $V_{DD\_DMC} = 1.8\text{ V}$ ) for LPDDR

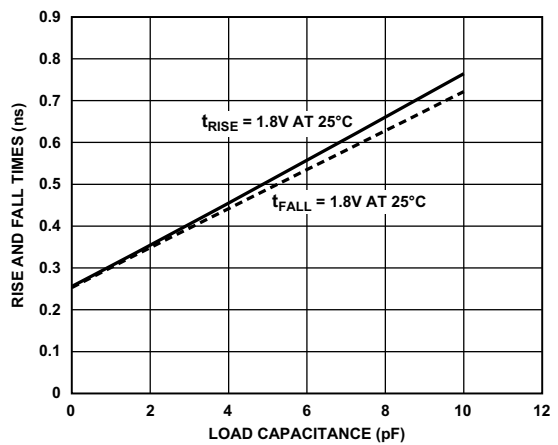


Figure 87. Driver Type B and Driver Type C Typical Rise and Fall Times (10% to 90%) vs. Load Capacitance ( $V_{DD\_DMC} = 1.8\text{ V}$ ) for DDR2

# ADSP-SC570/SC571/SC572/SC573/ADSP-21571/21573

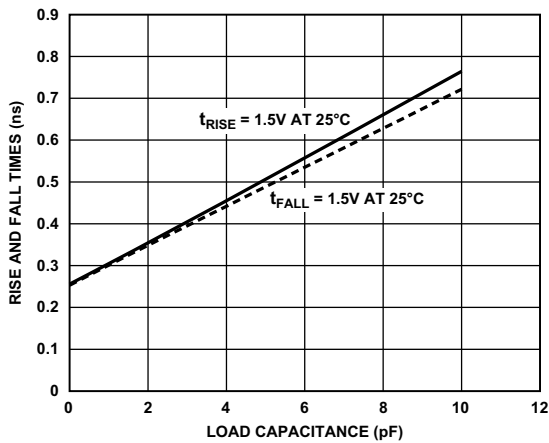


Figure 88. Driver Type B and Driver Type C Typical Rise and Fall Times (10% to 90%) vs. Load Capacitance ( $V_{DD\_DMC} = 1.5\text{ V}$ ) for DDR3

## ENVIRONMENTAL CONDITIONS

To determine the junction temperature on the application PCB, use the following equation:

$$T_J = T_{CASE} + (\Psi_{JT} \times P_D)$$

where:

$T_J$  = junction temperature (°C).

$T_{CASE}$  = case temperature (°C) measured at the top center of the package.

$\Psi_{JT}$  = from [Table 96](#) and [Table 97](#).

$P_D$  = power dissipation (see the [Total Internal Power Dissipation](#) section for the method to calculate  $P_D$ ).

Values of  $\theta_{JA}$  are provided for package comparison and PCB design considerations.  $\theta_{JA}$  can be used for a first order approximation of  $T_J$  by the following equation:

$$T_J = T_A + (\theta_{JA} \times P_D)$$

where  $T_A$  = ambient temperature (°C).

Values of  $\theta_{JC}$  are provided for package comparison and PCB design considerations when an external heat sink is required.

In [Table 96](#) and [Table 97](#), airflow measurements comply with JEDEC standards JESD51-2 and JESD51-6. The junction to case measurement complies with MIL-STD-883 (Method 1012.1). All measurements use a 6 layer PCB with 101.6 mm × 152.4 mm dimensions.

Table 96. Thermal Characteristics for 400 CSP\_BGA

| Parameter     | Conditions            | Typical | Unit |
|---------------|-----------------------|---------|------|
| $\theta_{JA}$ | 0 linear m/s air flow | 14.24   | °C/W |
| $\theta_{JA}$ | 1 linear m/s air flow | 12.61   | °C/W |
| $\theta_{JA}$ | 2 linear m/s air flow | 12.09   | °C/W |
| $\theta_{JC}$ |                       | 5.71    | °C/W |
| $\Psi_{JT}$   | 0 linear m/s air flow | 0.08    | °C/W |
| $\Psi_{JT}$   | 1 linear m/s air flow | 0.14    | °C/W |
| $\Psi_{JT}$   | 2 linear m/s air flow | 0.17    | °C/W |

Table 97. Thermal Characteristics for 176 LQFP\_EP

| Parameter     | Conditions            | Typical | Unit |
|---------------|-----------------------|---------|------|
| $\theta_{JA}$ | 0 linear m/s air flow | 11.95   | °C/W |
| $\theta_{JA}$ | 1 linear m/s air flow | 10.43   | °C/W |
| $\theta_{JA}$ | 2 linear m/s air flow | 9.98    | °C/W |
| $\theta_{JC}$ |                       | 11.10   | °C/W |
| $\Psi_{JT}$   | 0 linear m/s air flow | 0.15    | °C/W |
| $\Psi_{JT}$   | 1 linear m/s air flow | 0.24    | °C/W |
| $\Psi_{JT}$   | 2 linear m/s air flow | 0.29    | °C/W |

# ADSP-SC570/SC571/SC572/SC573/ADSP-21571/21573

## ADSP-SC57x/ADSP-2157x 400-BALL BGA BALL ASSIGNMENTS

The ADSP-SC57x/ADSP-2157x 400-Ball BGA Ball Assignments (Numerical by Ball Number) table lists the 400-ball BGA package by ball number.

The ADSP-SC57x/ADSP-2157x 400-Ball BGA Ball Assignments (Alphabetical by Pin Name) table lists the 400-ball BGA package by pin name.

### ADSP-SC57x/ADSP-2157x 400-BALL BGA BALL ASSIGNMENTS (NUMERICAL BY BALL NUMBER)

| Ball No. | Pin Name   | Ball No. | Pin Name   | Ball No. | Pin Name   | Ball No. | Pin Name   |
|----------|------------|----------|------------|----------|------------|----------|------------|
| A01      | GND        | C02      | PC_13      | E03      | PE_03      | G04      | VDD_EXT    |
| A02      | PA_10      | C03      | GND        | E04      | PE_02      | G05      | VDD_INT    |
| A03      | PA_09      | C04      | PA_12      | E05      | GND        | G06      | GND        |
| A04      | PA_11      | C05      | PA_14      | E06      | PB_00      | G07      | GND        |
| A05      | PE_07      | C06      | PB_03      | E07      | VDD_EXT    | G08      | GND        |
| A06      | MLB0_CLKN  | C07      | PB_02      | E08      | VDD_EXT    | G09      | GND        |
| A07      | MLB0_CLKP  | C08      | PE_10      | E09      | VDD_EXT    | G10      | GND        |
| A08      | MLB0_SIGN  | C09      | PB_06      | E10      | VDD_EXT    | G11      | GND        |
| A09      | GND        | C10      | PB_05      | E11      | VDD_EXT    | G12      | GND        |
| A10      | SYS_XTAL0  | C11      | SYS_HWRST  | E12      | VDD_EXT    | G13      | GND        |
| A11      | SYS_CLKIN0 | C12      | USB0_ID    | E13      | VDD_USB    | G14      | GND        |
| A12      | GND        | C13      | USB0_CLKIN | E14      | JTG_TCK    | G15      | GND        |
| A13      | SYS_XTAL1  | C14      | PB_12      | E15      | PE_15      | G16      | VDD_INT    |
| A14      | SYS_CLKIN1 | C15      | PB_13      | E16      | GND        | G17      | PB_15      |
| A15      | GND        | C16      | JTG_TDI    | E17      | VDD_EXT    | G18      | DAI0_PIN08 |
| A16      | USB0_DP    | C17      | PE_14      | E18      | PF_04      | G19      | DAI0_PIN10 |
| A17      | USB0_DM    | C18      | GND        | E19      | DAI0_PIN07 | G20      | DAI0_PIN09 |
| A18      | PF_03      | C19      | PF_08      | E20      | DAI0_PIN03 | H01      | PE_01      |
| A19      | PF_05      | C20      | PF_11      | F01      | PC_02      | H02      | PC_09      |
| A20      | GND        | D01      | PC_06      | F02      | PC_03      | H03      | PC_15      |
| B01      | PC_12      | D02      | PC_08      | F03      | PC_04      | H04      | VDD_EXT    |
| B02      | GND        | D03      | PE_04      | F04      | PE_06      | H05      | VDD_INT    |
| B03      | PA_13      | D04      | GND        | F05      | VDD_INT    | H06      | GND        |
| B04      | PA_15      | D05      | PE_08      | F06      | GND        | H07      | GND        |
| B05      | PB_01      | D06      | PE_11      | F07      | VDD_INT    | H08      | GND        |
| B06      | PB_04      | D07      | PE_09      | F08      | VDD_INT    | H09      | GND        |
| B07      | MLB0_DATN  | D08      | PB_08      | F09      | VDD_INT    | H10      | GND        |
| B08      | MLB0_DATP  | D09      | PB_07      | F10      | VDD_INT    | H11      | GND        |
| B09      | MLB0_SIGP  | D10      | PB_09      | F11      | VDD_INT    | H12      | GND        |
| B10      | JTG_TRST   | D11      | SYS_CLKOUT | F12      | VDD_INT    | H13      | GND        |
| B11      | USB0_VBUS  | D12      | PB_11      | F13      | VDD_INT    | H14      | GND        |
| B12      | USB0_XTAL  | D13      | USB0_VBC   | F14      | VDD_INT    | H15      | GND        |
| B13      | PB_10      | D14      | PB_14      | F15      | GND        | H16      | VDD_INT    |
| B14      | JTG_TDO    | D15      | PE_13      | F16      | VDD_INT    | H17      | VDD_EXT    |
| B15      | JTG_TMS    | D16      | PE_12      | F17      | PF_02      | H18      | DAI0_PIN05 |
| B16      | PF_00      | D17      | GND        | F18      | PF_09      | H19      | DAI0_PIN14 |
| B17      | PF_01      | D18      | PF_10      | F19      | DAI0_PIN02 | H20      | DAI0_PIN11 |
| B18      | PF_06      | D19      | DAI0_PIN01 | F20      | DAI0_PIN06 | J01      | PE_00      |
| B19      | GND        | D20      | DAI0_PIN04 | G01      | PC_00      | J02      | PC_07      |
| B20      | PF_07      | E01      | PC_05      | G02      | PC_14      | J03      | PC_10      |
| C01      | PC_11      | E02      | PE_05      | G03      | PC_01      | J04      | VDD_EXT    |

# ADSP-SC570/SC571/SC572/SC573/ADSP-21571/21573

| Ball No. | Pin Name   | Ball No. | Pin Name   | Ball No. | Pin Name    | Ball No. | Pin Name   |
|----------|------------|----------|------------|----------|-------------|----------|------------|
| J05      | VDD_INT    | L13      | GND        | P01      | DMC0_VREF   | T09      | VDD_DMC    |
| J06      | GND        | L14      | GND        | P02      | DMC0_RZQ    | T10      | VDD_DMC    |
| J07      | GND        | L15      | GND        | P03      | DMC0_A09    | T11      | VDD_DMC    |
| J08      | GND        | L16      | VDD_INT    | P04      | DMC0_A10    | T12      | VDD_DMC    |
| J09      | GND        | L17      | VDD_EXT    | P05      | VDD_INT     | T13      | VDD_DMC    |
| J10      | GND        | L18      | DAI0_PIN17 | P06      | VDD_INT     | T14      | VDD_DMC    |
| J11      | GND        | L19      | GND        | P07      | GND         | T15      | VDD_DMC    |
| J12      | GND        | L20      | DAI0_PIN20 | P08      | VDD_INT     | T16      | GND        |
| J13      | GND        | M01      | DMC0_A14   | P09      | VDD_INT     | T17      | VDD_DMC    |
| J14      | GND        | M02      | DMC0_A15   | P10      | VDD_INT     | T18      | DMC0_A02   |
| J15      | GND        | M03      | PD_09      | P11      | VDD_INT     | T19      | DMC0_A01   |
| J16      | VDD_INT    | M04      | VDD_EXT    | P12      | VDD_INT     | T20      | DMC0_RESET |
| J17      | VDD_EXT    | M05      | VDD_INT    | P13      | VDD_INT     | U01      | DMC0_DQ15  |
| J18      | DAI0_PIN12 | M06      | GND        | P14      | GND         | U02      | DMC0_DQ14  |
| J19      | DAI0_PIN13 | M07      | GND        | P15      | VDD_INT     | U03      | TWI1_SDA   |
| J20      | DAI0_PIN16 | M08      | GND        | P16      | VDD_INT     | U04      | GND        |
| K01      | PD_14      | M09      | GND        | P17      | HADC0_VIN1  | U05      | TWI1_SCL   |
| K02      | PD_13      | M10      | GND        | P18      | HADC0_VIN0  | U06      | VDD_EXT    |
| K03      | PD_15      | M11      | GND        | P19      | HADC0_VREFP | U07      | VDD_DMC    |
| K04      | VDD_EXT    | M12      | GND        | P20      | HADC0_VREFN | U08      | VDD_DMC    |
| K05      | VDD_INT    | M13      | GND        | R01      | PD_06       | U09      | VDD_DMC    |
| K06      | GND        | M14      | GND        | R02      | PD_07       | U10      | VDD_DMC    |
| K07      | GND        | M15      | GND        | R03      | PD_08       | U11      | VDD_DMC    |
| K08      | GND        | M16      | VDD_INT    | R04      | VDD_INT     | U12      | VDD_DMC    |
| K09      | GND        | M17      | VDD_EXT    | R05      | VDD_INT     | U13      | VDD_DMC    |
| K10      | GND        | M18      | HADC0_VIN7 | R06      | GND         | U14      | VDD_DMC    |
| K11      | GND        | M19      | HADC0_VIN5 | R07      | VDD_INT     | U15      | DMC0_BA2   |
| K12      | GND        | M20      | HADC0_VIN6 | R08      | VDD_INT     | U16      | DMC0_WE    |
| K13      | GND        | N01      | DMC0_A11   | R09      | VDD_INT     | U17      | GND        |
| K14      | GND        | N02      | DMC0_A13   | R10      | VDD_INT     | U18      | DMC0_A06   |
| K15      | GND        | N03      | DMC0_A12   | R11      | VDD_INT     | U19      | DMC0_A03   |
| K16      | VDD_INT    | N04      | VDD_DMC    | R12      | VDD_INT     | U20      | DMC0_A00   |
| K17      | VDD_EXT    | N05      | VDD_INT    | R13      | VDD_INT     | V01      | TWI2_SDA   |
| K18      | DAI0_PIN15 | N06      | GND        | R14      | VDD_INT     | V02      | DMC0_DQ13  |
| K19      | DAI0_PIN19 | N07      | GND        | R15      | GND         | V03      | GND        |
| K20      | DAI0_PIN18 | N08      | GND        | R16      | VDD_INT     | V04      | PD_03      |
| L01      | PD_11      | N09      | GND        | R17      | VDD_INT     | V05      | PD_04      |
| L02      | PD_10      | N10      | GND        | R18      | DMC0_BA0    | V06      | PD_01      |
| L03      | PD_12      | N11      | GND        | R19      | HADC0_VIN2  | V07      | PA_08      |
| L04      | VDD_EXT    | N12      | GND        | R20      | VDD_HADC    | V08      | PA_05      |
| L05      | VDD_INT    | N13      | GND        | T01      | PD_05       | V09      | PA_03      |
| L06      | GND        | N14      | GND        | T02      | TWI0_SDA    | V10      | PA_02      |
| L07      | GND        | N15      | GND        | T03      | TWI0_SCL    | V11      | PA_01      |
| L08      | GND        | N16      | VDD_INT    | T04      | VDD_EXT     | V12      | PA_00      |
| L09      | GND        | N17      | VDD_EXT    | T05      | GND         | V13      | SYS_RESOUT |
| L10      | GND        | N18      | HADC0_VIN4 | T06      | VDD_DMC     | V14      | SYS_FAULT  |
| L11      | GND        | N19      | HADC0_VIN3 | T07      | VDD_DMC     | V15      | DMC0_CAS   |
| L12      | GND        | N20      | GND        | T08      | VDD_DMC     | V16      | DMC0_RAS   |



# ADSP-SC570/SC571/SC572/SC573/ADSP-21571/21573

| Ball No. | Pin Name                       |
|----------|--------------------------------|
| V17      | DMC0_BA1                       |
| V18      | GND                            |
| V19      | DMC0_A04                       |
| V20      | DMC0_A05                       |
| W01      | TWI2_SCL                       |
| W02      | GND                            |
| W03      | DMC0_DQ12                      |
| W04      | DMC0_DQ11                      |
| W05      | DMC0_DQ09                      |
| W06      | PD_02                          |
| W07      | PD_00                          |
| W08      | PA_07                          |
| W09      | PA_06                          |
| W10      | PA_04                          |
| W11      | DMC0_DQ05                      |
| W12      | DMC0_DQ04                      |
| W13      | DMC0_DQ03                      |
| W14      | DMC0_DQ02                      |
| W15      | $\overline{\text{SYS\_FAULT}}$ |
| W16      | DMC0_ODT                       |
| W17      | DMC0_A08                       |
| W18      | SYS_BMODE1                     |
| W19      | GND                            |
| W20      | DMC0_A07                       |
| Y01      | GND                            |
| Y02      | $\overline{\text{DMC0\_UDQS}}$ |
| Y03      | DMC0_UDQS                      |
| Y04      | DMC0_DQ10                      |
| Y05      | DMC0_DQ08                      |
| Y06      | DMC0_UDM                       |
| Y07      | DMC0_LDM                       |
| Y08      | DMC0_CK                        |
| Y09      | $\overline{\text{DMC0\_CK}}$   |
| Y10      | DMC0_DQ07                      |
| Y11      | DMC0_DQ06                      |
| Y12      | DMC0_LDQS                      |
| Y13      | $\overline{\text{DMC0\_LDQS}}$ |
| Y14      | DMC0_DQ01                      |
| Y15      | DMC0_DQ00                      |
| Y16      | DMC0_CKE                       |
| Y17      | $\overline{\text{DMC0\_CS0}}$  |
| Y18      | SYS_BMODE0                     |
| Y19      | SYS_BMODE2                     |
| Y20      | GND                            |

# ADSP-SC570/SC571/SC572/SC573/ADSP-21571/21573

## ADSP-SC57x/ADSP-2157x 400-BALL BGA BALL ASSIGNMENTS (ALPHABETICAL BY PIN NAME)

| Pin Name   | Ball No. | Pin Name   | Ball No. | Pin Name | Ball No. | Pin Name    | Ball No. |
|------------|----------|------------|----------|----------|----------|-------------|----------|
| DAIO_PIN01 | D19      | DMC0_DQ02  | W14      | GND      | G11      | GND         | M06      |
| DAIO_PIN02 | F19      | DMC0_DQ03  | W13      | GND      | G12      | GND         | M07      |
| DAIO_PIN03 | E20      | DMC0_DQ04  | W12      | GND      | G13      | GND         | M08      |
| DAIO_PIN04 | D20      | DMC0_DQ05  | W11      | GND      | G14      | GND         | M09      |
| DAIO_PIN05 | H18      | DMC0_DQ06  | Y11      | GND      | G15      | GND         | M10      |
| DAIO_PIN06 | F20      | DMC0_DQ07  | Y10      | GND      | H06      | GND         | M11      |
| DAIO_PIN07 | E19      | DMC0_DQ08  | Y05      | GND      | H07      | GND         | M12      |
| DAIO_PIN08 | G18      | DMC0_DQ09  | W05      | GND      | H08      | GND         | M13      |
| DAIO_PIN09 | G20      | DMC0_DQ10  | Y04      | GND      | H09      | GND         | M14      |
| DAIO_PIN10 | G19      | DMC0_DQ11  | W04      | GND      | H10      | GND         | M15      |
| DAIO_PIN11 | H20      | DMC0_DQ12  | W03      | GND      | H11      | GND         | N06      |
| DAIO_PIN12 | J18      | DMC0_DQ13  | V02      | GND      | H12      | GND         | N07      |
| DAIO_PIN13 | J19      | DMC0_DQ14  | U02      | GND      | H13      | GND         | N08      |
| DAIO_PIN14 | H19      | DMC0_DQ15  | U01      | GND      | H14      | GND         | N09      |
| DAIO_PIN15 | K18      | DMC0_LDM   | Y07      | GND      | H15      | GND         | N10      |
| DAIO_PIN16 | J20      | DMC0_LDQS  | Y12      | GND      | J06      | GND         | N11      |
| DAIO_PIN17 | L18      | DMC0_LDQS  | Y13      | GND      | J07      | GND         | N12      |
| DAIO_PIN18 | K20      | DMC0_ODT   | W16      | GND      | J08      | GND         | N13      |
| DAIO_PIN19 | K19      | DMC0_RAS   | V16      | GND      | J09      | GND         | N14      |
| DAIO_PIN20 | L20      | DMC0_RESET | T20      | GND      | J10      | GND         | N15      |
| DMC0_A00   | U20      | DMC0_RZQ   | P02      | GND      | J11      | GND         | N20      |
| DMC0_A01   | T19      | DMC0_UDM   | Y06      | GND      | J12      | GND         | P07      |
| DMC0_A02   | T18      | DMC0_UDQS  | Y03      | GND      | J13      | GND         | P14      |
| DMC0_A03   | U19      | DMC0_UDQS  | Y02      | GND      | J14      | GND         | R06      |
| DMC0_A04   | V19      | DMC0_VREF  | P01      | GND      | J15      | GND         | R15      |
| DMC0_A05   | V20      | DMC0_WE    | U16      | GND      | K06      | GND         | T05      |
| DMC0_A06   | U18      | GND        | A01      | GND      | K07      | GND         | T16      |
| DMC0_A07   | W20      | GND        | A09      | GND      | K08      | GND         | U04      |
| DMC0_A08   | W17      | GND        | A12      | GND      | K09      | GND         | U17      |
| DMC0_A09   | P03      | GND        | A15      | GND      | K10      | GND         | V03      |
| DMC0_A10   | P04      | GND        | A20      | GND      | K11      | GND         | V18      |
| DMC0_A11   | N01      | GND        | B02      | GND      | K12      | GND         | W02      |
| DMC0_A12   | N03      | GND        | B19      | GND      | K13      | GND         | W19      |
| DMC0_A13   | N02      | GND        | C03      | GND      | K14      | GND         | Y01      |
| DMC0_A14   | M01      | GND        | C18      | GND      | K15      | GND         | Y20      |
| DMC0_A15   | M02      | GND        | D04      | GND      | L06      | HADC0_VIN0  | P18      |
| DMC0_BA0   | R18      | GND        | D17      | GND      | L07      | HADC0_VIN1  | P17      |
| DMC0_BA1   | V17      | GND        | E05      | GND      | L08      | HADC0_VIN2  | R19      |
| DMC0_BA2   | U15      | GND        | E16      | GND      | L09      | HADC0_VIN3  | N19      |
| DMC0_CAS   | V15      | GND        | F06      | GND      | L10      | HADC0_VIN4  | N18      |
| DMC0_CK    | Y08      | GND        | F15      | GND      | L11      | HADC0_VIN5  | M19      |
| DMC0_CKE   | Y16      | GND        | G06      | GND      | L12      | HADC0_VIN6  | M20      |
| DMC0_CK    | Y09      | GND        | G07      | GND      | L13      | HADC0_VIN7  | M18      |
| DMC0_CS0   | Y17      | GND        | G08      | GND      | L14      | HADC0_VREFN | P20      |
| DMC0_DQ00  | Y15      | GND        | G09      | GND      | L15      | HADC0_VREFP | P19      |
| DMC0_DQ01  | Y14      | GND        | G10      | GND      | L19      | JTG_TCK     | E14      |

# ADSP-SC570/SC571/SC572/SC573/ADSP-21571/21573

| Pin Name  | Ball No. | Pin Name | Ball No. | Pin Name   | Ball No. | Pin Name | Ball No. |
|-----------|----------|----------|----------|------------|----------|----------|----------|
| JTG_TDI   | C16      | PC_05    | E01      | PF_04      | E18      | VDD_DMC  | U09      |
| JTG_TDO   | B14      | PC_06    | D01      | PF_05      | A19      | VDD_DMC  | U10      |
| JTG_TMS   | B15      | PC_07    | J02      | PF_06      | B18      | VDD_DMC  | U11      |
| JTG_TRST  | B10      | PC_08    | D02      | PF_07      | B20      | VDD_DMC  | U12      |
| MLB0_CLKN | A06      | PC_09    | H02      | PF_08      | C19      | VDD_DMC  | U13      |
| MLB0_CLKP | A07      | PC_10    | J03      | PF_09      | F18      | VDD_DMC  | U14      |
| MLB0_DATN | B07      | PC_11    | C01      | PF_10      | D18      | VDD_EXT  | E07      |
| MLB0_DATP | B08      | PC_12    | B01      | PF_11      | C20      | VDD_EXT  | E08      |
| MLB0_SIGN | A08      | PC_13    | C02      | SYS_BMODE0 | Y18      | VDD_EXT  | E09      |
| MLB0_SIGP | B09      | PC_14    | G02      | SYS_BMODE1 | W18      | VDD_EXT  | E10      |
| PA_00     | V12      | PC_15    | H03      | SYS_BMODE2 | Y19      | VDD_EXT  | E11      |
| PA_01     | V11      | PD_00    | W07      | SYS_CLKIN0 | A11      | VDD_EXT  | E12      |
| PA_02     | V10      | PD_01    | V06      | SYS_CLKIN1 | A14      | VDD_EXT  | E17      |
| PA_03     | V09      | PD_02    | W06      | SYS_CLKOUT | D11      | VDD_EXT  | G04      |
| PA_04     | W10      | PD_03    | V04      | SYS_FAULT  | V14      | VDD_EXT  | H04      |
| PA_05     | V08      | PD_04    | V05      | SYS_FAULT  | W15      | VDD_EXT  | H17      |
| PA_06     | W09      | PD_05    | T01      | SYS_HWRST  | C11      | VDD_EXT  | J04      |
| PA_07     | W08      | PD_06    | R01      | SYS_RESOUT | V13      | VDD_EXT  | J17      |
| PA_08     | V07      | PD_07    | R02      | SYS_XTAL0  | A10      | VDD_EXT  | K04      |
| PA_09     | A03      | PD_08    | R03      | SYS_XTAL1  | A13      | VDD_EXT  | K17      |
| PA_10     | A02      | PD_09    | M03      | TWI0_SCL   | T03      | VDD_EXT  | L04      |
| PA_11     | A04      | PD_10    | L02      | TWI0_SDA   | T02      | VDD_EXT  | L17      |
| PA_12     | C04      | PD_11    | L01      | TWI1_SCL   | U05      | VDD_EXT  | M04      |
| PA_13     | B03      | PD_12    | L03      | TWI1_SDA   | U03      | VDD_EXT  | M17      |
| PA_14     | C05      | PD_13    | K02      | TWI2_SCL   | W01      | VDD_EXT  | N17      |
| PA_15     | B04      | PD_14    | K01      | TWI2_SDA   | V01      | VDD_EXT  | T04      |
| PB_00     | E06      | PD_15    | K03      | USB0_DM    | A17      | VDD_EXT  | U06      |
| PB_01     | B05      | PE_00    | J01      | USB0_DP    | A16      | VDD_HADC | R20      |
| PB_02     | C07      | PE_01    | H01      | USB0_ID    | C12      | VDD_INT  | F05      |
| PB_03     | C06      | PE_02    | E04      | USB0_VBC   | D13      | VDD_INT  | F07      |
| PB_04     | B06      | PE_03    | E03      | USB0_VBUS  | B11      | VDD_INT  | F08      |
| PB_05     | C10      | PE_04    | D03      | USB0_CLKIN | C13      | VDD_INT  | F09      |
| PB_06     | C09      | PE_05    | E02      | USB0_XTAL  | B12      | VDD_INT  | F10      |
| PB_07     | D09      | PE_06    | F04      | VDD_DMC    | N04      | VDD_INT  | F11      |
| PB_08     | D08      | PE_07    | A05      | VDD_DMC    | T06      | VDD_INT  | F12      |
| PB_09     | D10      | PE_08    | D05      | VDD_DMC    | T07      | VDD_INT  | F13      |
| PB_10     | B13      | PE_09    | D07      | VDD_DMC    | T08      | VDD_INT  | F14      |
| PB_11     | D12      | PE_10    | C08      | VDD_DMC    | T09      | VDD_INT  | F16      |
| PB_12     | C14      | PE_11    | D06      | VDD_DMC    | T10      | VDD_INT  | G05      |
| PB_13     | C15      | PE_12    | D16      | VDD_DMC    | T11      | VDD_INT  | G16      |
| PB_14     | D14      | PE_13    | D15      | VDD_DMC    | T12      | VDD_INT  | H05      |
| PB_15     | G17      | PE_14    | C17      | VDD_DMC    | T13      | VDD_INT  | H16      |
| PC_00     | G01      | PE_15    | E15      | VDD_DMC    | T14      | VDD_INT  | J05      |
| PC_01     | G03      | PF_00    | B16      | VDD_DMC    | T15      | VDD_INT  | J16      |
| PC_02     | F01      | PF_01    | B17      | VDD_DMC    | T17      | VDD_INT  | K05      |
| PC_03     | F02      | PF_02    | F17      | VDD_DMC    | U07      | VDD_INT  | K16      |
| PC_04     | F03      | PF_03    | A18      | VDD_DMC    | U08      | VDD_INT  | L05      |

# ADSP-SC570/SC571/SC572/SC573/ADSP-21571/21573

| <b>Pin Name</b> | <b>Ball No.</b> |
|-----------------|-----------------|
| VDD_INT         | L16             |
| VDD_INT         | M05             |
| VDD_INT         | M16             |
| VDD_INT         | N05             |
| VDD_INT         | N16             |
| VDD_INT         | P05             |
| VDD_INT         | P06             |
| VDD_INT         | P08             |
| VDD_INT         | P09             |
| VDD_INT         | P10             |
| VDD_INT         | P11             |
| VDD_INT         | P12             |
| VDD_INT         | P13             |
| VDD_INT         | P15             |
| VDD_INT         | P16             |
| VDD_INT         | R04             |
| VDD_INT         | R05             |
| VDD_INT         | R07             |
| VDD_INT         | R08             |
| VDD_INT         | R09             |
| VDD_INT         | R10             |
| VDD_INT         | R11             |
| VDD_INT         | R12             |
| VDD_INT         | R13             |
| VDD_INT         | R14             |
| VDD_INT         | R16             |
| VDD_INT         | R17             |
| VDD_USB         | E13             |

# ADSP-SC570/SC571/SC572/SC573/ADSP-21571/21573

## CONFIGURATION OF THE 400-BALL CSP\_BGA

Figure 89 shows an overview of signal placement on the 400-ball CSP\_BGA.

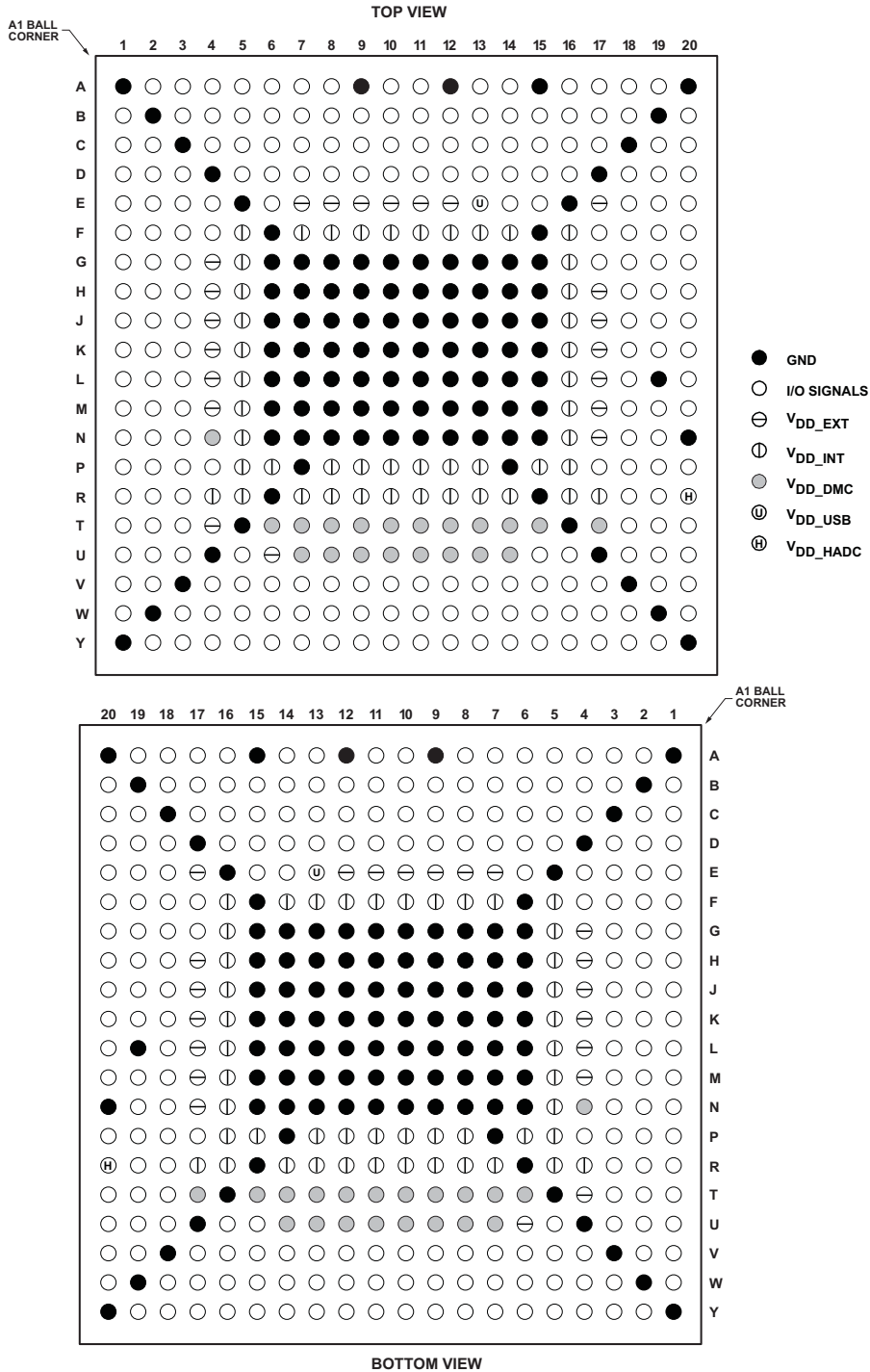


Figure 89. 400-Ball CSP\_BGA Configuration

# ADSP-SC570/SC571/SC572/SC573/ADSP-21571/21573

## ADSP-SC57x/ADSP-2157x 176-LEAD LQFP LEAD ASSIGNMENTS

The ADSP-SC57x/ADSP-2157x 176-Lead LQFP Lead Assignments (Numerical by Lead Number) table lists the 176-lead LQFP package by lead number.

The ADSP-SC57x/ADSP-2157x 176-Lead LQFP Lead Assignments (Alphabetical by Pin Name) table lists the 176-lead LQFP package by pin name.

### ADSP-SC57x/ADSP-2157x 176-LEAD LQFP LEAD ASSIGNMENTS (NUMERICAL BY LEAD NUMBER)

| Lead No. | Pin Name | Lead No. | Pin Name | Lead No. | Pin Name                        | Lead No. | Pin Name                       |
|----------|----------|----------|----------|----------|---------------------------------|----------|--------------------------------|
| 01       | VDD_INT  | 41       | PD_11    | 81       | $\overline{\text{SYS\_RESOUT}}$ | 121      | DAI0_PIN03                     |
| 02       | GND      | 42       | PD_10    | 82       | VDD_INT                         | 122      | DAI0_PIN04                     |
| 03       | VDD_INT  | 43       | PD_09    | 83       | GND                             | 123      | DAI0_PIN01                     |
| 04       | PA_15    | 44       | GND      | 84       | VDD_EXT                         | 124      | VDD_INT                        |
| 05       | PA_14    | 45       | GND      | 85       | $\overline{\text{SYS\_FAULT}}$  | 125      | GND                            |
| 06       | PA_13    | 46       | VDD_EXT  | 86       | SYS_BMODE0                      | 126      | VDD_EXT                        |
| 07       | VDD_INT  | 47       | VDD_INT  | 87       | SYS_BMODE1                      | 127      | DAI0_PIN02                     |
| 08       | PA_12    | 48       | PD_08    | 88       | VDD_INT                         | 128      | PB_15                          |
| 09       | VDD_EXT  | 49       | PD_07    | 89       | GND                             | 129      | VDD_INT                        |
| 10       | PA_10    | 50       | PD_06    | 90       | VDD_HADC                        | 130      | VDD_INT                        |
| 11       | PA_11    | 51       | PD_05    | 91       | HADC0_VIN0                      | 131      | GND                            |
| 12       | PC_15    | 52       | VDD_INT  | 92       | HADC0_VIN1                      | 132      | VDD_INT                        |
| 13       | PA_09    | 53       | TWI0_SDA | 93       | HADC0_VREFN                     | 133      | GND                            |
| 14       | VDD_INT  | 54       | TWI0_SCL | 94       | HADC0_VIN2                      | 134      | VDD_INT                        |
| 15       | GND      | 55       | TWI1_SDA | 95       | HADC0_VIN3                      | 135      | JTG_TCK                        |
| 16       | VDD_INT  | 56       | TWI1_SCL | 96       | HADC0_VREFP                     | 136      | JTG_TDO                        |
| 17       | PC_14    | 57       | TWI2_SDA | 97       | GND                             | 137      | JTG_TDI                        |
| 18       | PC_13    | 58       | TWI2_SCL | 98       | VDD_INT                         | 138      | JTG_TMS                        |
| 19       | PC_12    | 59       | VDD_INT  | 99       | GND                             | 139      | VDD_INT                        |
| 20       | PC_11    | 60       | VDD_EXT  | 100      | DAI0_PIN20                      | 140      | VDD_EXT                        |
| 21       | VDD_EXT  | 61       | PD_04    | 101      | DAI0_PIN19                      | 141      | PB_14                          |
| 22       | PC_10    | 62       | PD_03    | 102      | DAI0_PIN18                      | 142      | PB_13                          |
| 23       | PC_09    | 63       | PD_02    | 103      | VDD_INT                         | 143      | VDD_EXT                        |
| 24       | PC_08    | 64       | PD_01    | 104      | VDD_EXT                         | 144      | PB_12                          |
| 25       | PC_07    | 65       | GND      | 105      | DAI0_PIN17                      | 145      | VDD_INT                        |
| 26       | PC_06    | 66       | VDD_INT  | 106      | DAI0_PIN16                      | 146      | PB_11                          |
| 27       | PC_05    | 67       | PD_00    | 107      | DAI0_PIN15                      | 147      | VDD_EXT                        |
| 28       | PC_04    | 68       | PA_08    | 108      | DAI0_PIN14                      | 148      | PB_10                          |
| 29       | PC_03    | 69       | PA_07    | 109      | VDD_INT                         | 149      | VDD_EXT                        |
| 30       | VDD_INT  | 70       | PA_06    | 110      | DAI0_PIN13                      | 150      | VDD_INT                        |
| 31       | VDD_EXT  | 71       | VDD_EXT  | 111      | DAI0_PIN12                      | 151      | $\overline{\text{SYS\_HWRST}}$ |
| 32       | PC_02    | 72       | VDD_INT  | 112      | DAI0_PIN11                      | 152      | VDD_EXT                        |
| 33       | PC_01    | 73       | VDD_INT  | 113      | DAI0_PIN10                      | 153      | $\overline{\text{JTG\_TRST}}$  |
| 34       | PC_00    | 74       | PA_05    | 114      | VDD_INT                         | 154      | SYS_CLKINO                     |
| 35       | PD_15    | 75       | PA_04    | 115      | VDD_EXT                         | 155      | SYS_XTALO                      |
| 36       | PD_14    | 76       | PA_03    | 116      | DAI0_PIN09                      | 156      | VDD_INT                        |
| 37       | PD_13    | 77       | PA_02    | 117      | DAI0_PIN08                      | 157      | SYS_CLKOUT                     |
| 38       | VDD_EXT  | 78       | VDD_EXT  | 118      | DAI0_PIN06                      | 158      | VDD_EXT                        |
| 39       | VDD_INT  | 79       | PA_01    | 119      | DAI0_PIN07                      | 159      | PB_09                          |
| 40       | PD_12    | 80       | PA_00    | 120      | DAI0_PIN05                      | 160      | VDD_EXT                        |

# ADSP-SC570/SC571/SC572/SC573/ADSP-21571/21573

| Lead No. | Pin Name |
|----------|----------|
|----------|----------|

|                  |         |
|------------------|---------|
| 161              | PB_08   |
| 162              | PB_07   |
| 163              | VDD_INT |
| 164              | VDD_EXT |
| 165              | PB_06   |
| 166              | PB_05   |
| 167              | VDD_EXT |
| 168              | PB_04   |
| 169              | PB_03   |
| 170              | VDD_INT |
| 171              | VDD_EXT |
| 172              | PB_02   |
| 173              | PB_01   |
| 174              | PB_00   |
| 175              | VDD_INT |
| 176              | GND     |
| 177 <sup>1</sup> | GND     |

<sup>1</sup>Pin177 is the GND supply (see [Figure 91](#)) for the processor; this pad must connect to GND.

# ADSP-SC570/SC571/SC572/SC573/ADSP-21571/21573

## ADSP-SC57X/ADSP-2157X 176-LEAD LQFP LEAD ASSIGNMENTS (ALPHABETICAL BY PIN NAME)

| Pin Name    | Lead No.         | Pin Name | Lead No. | Pin Name   | Lead No. | Pin Name | Lead No. |
|-------------|------------------|----------|----------|------------|----------|----------|----------|
| DAIO_PIN01  | 123              | PA_01    | 79       | PC_15      | 12       | VDD_EXT  | 149      |
| DAIO_PIN02  | 127              | PA_02    | 77       | PD_00      | 67       | VDD_EXT  | 152      |
| DAIO_PIN03  | 121              | PA_03    | 76       | PD_01      | 64       | VDD_EXT  | 158      |
| DAIO_PIN04  | 122              | PA_04    | 75       | PD_02      | 63       | VDD_EXT  | 160      |
| DAIO_PIN05  | 120              | PA_05    | 74       | PD_03      | 62       | VDD_EXT  | 164      |
| DAIO_PIN06  | 118              | PA_06    | 70       | PD_04      | 61       | VDD_EXT  | 167      |
| DAIO_PIN07  | 119              | PA_07    | 69       | PD_05      | 51       | VDD_EXT  | 171      |
| DAIO_PIN08  | 117              | PA_08    | 68       | PD_06      | 50       | VDD_HADC | 90       |
| DAIO_PIN09  | 116              | PA_09    | 13       | PD_07      | 49       | VDD_INT  | 01       |
| DAIO_PIN10  | 113              | PA_10    | 10       | PD_08      | 48       | VDD_INT  | 03       |
| DAIO_PIN11  | 112              | PA_11    | 11       | PD_09      | 43       | VDD_INT  | 07       |
| DAIO_PIN12  | 111              | PA_12    | 08       | PD_10      | 42       | VDD_INT  | 14       |
| DAIO_PIN13  | 110              | PA_13    | 06       | PD_11      | 41       | VDD_INT  | 16       |
| DAIO_PIN14  | 108              | PA_14    | 05       | PD_12      | 40       | VDD_INT  | 30       |
| DAIO_PIN15  | 107              | PA_15    | 04       | PD_13      | 37       | VDD_INT  | 39       |
| DAIO_PIN16  | 106              | PB_00    | 174      | PD_14      | 36       | VDD_INT  | 47       |
| DAIO_PIN17  | 105              | PB_01    | 173      | PD_15      | 35       | VDD_INT  | 52       |
| DAIO_PIN18  | 102              | PB_02    | 172      | SYS_BMODE0 | 86       | VDD_INT  | 59       |
| DAIO_PIN19  | 101              | PB_03    | 169      | SYS_BMODE1 | 87       | VDD_INT  | 66       |
| DAIO_PIN20  | 100              | PB_04    | 168      | SYS_CLKINO | 154      | VDD_INT  | 72       |
| GND         | 02               | PB_05    | 166      | SYS_CLKOUT | 157      | VDD_INT  | 73       |
| GND         | 15               | PB_06    | 165      | SYS_FAULT  | 85       | VDD_INT  | 82       |
| GND         | 44               | PB_07    | 162      | SYS_HWRST  | 151      | VDD_INT  | 88       |
| GND         | 45               | PB_08    | 161      | SYS_RESOUT | 81       | VDD_INT  | 98       |
| GND         | 65               | PB_09    | 159      | SYS_XTAL0  | 155      | VDD_INT  | 103      |
| GND         | 83               | PB_10    | 148      | TWI0_SCL   | 54       | VDD_INT  | 109      |
| GND         | 89               | PB_11    | 146      | TWI0_SDA   | 53       | VDD_INT  | 114      |
| GND         | 97               | PB_12    | 144      | TWI1_SCL   | 56       | VDD_INT  | 124      |
| GND         | 99               | PB_13    | 142      | TWI1_SDA   | 55       | VDD_INT  | 129      |
| GND         | 125              | PB_14    | 141      | TWI2_SCL   | 58       | VDD_INT  | 130      |
| GND         | 131              | PB_15    | 128      | TWI2_SDA   | 57       | VDD_INT  | 132      |
| GND         | 133              | PC_00    | 34       | VDD_EXT    | 09       | VDD_INT  | 134      |
| GND         | 176              | PC_01    | 33       | VDD_EXT    | 21       | VDD_INT  | 139      |
| GND         | 177 <sup>1</sup> | PC_02    | 32       | VDD_EXT    | 31       | VDD_INT  | 145      |
| HADC0_VIN0  | 91               | PC_03    | 29       | VDD_EXT    | 38       | VDD_INT  | 150      |
| HADC0_VIN1  | 92               | PC_04    | 28       | VDD_EXT    | 46       | VDD_INT  | 156      |
| HADC0_VIN2  | 94               | PC_05    | 27       | VDD_EXT    | 60       | VDD_INT  | 163      |
| HADC0_VIN3  | 95               | PC_06    | 26       | VDD_EXT    | 71       | VDD_INT  | 170      |
| HADC0_VREFN | 93               | PC_07    | 25       | VDD_EXT    | 78       | VDD_INT  | 175      |
| HADC0_VREFP | 96               | PC_08    | 24       | VDD_EXT    | 84       |          |          |
| JTG_TCK     | 135              | PC_09    | 23       | VDD_EXT    | 104      |          |          |
| JTG_TDI     | 137              | PC_10    | 22       | VDD_EXT    | 115      |          |          |
| JTG_TDO     | 136              | PC_11    | 20       | VDD_EXT    | 126      |          |          |
| JTG_TMS     | 138              | PC_12    | 19       | VDD_EXT    | 140      |          |          |
| JTG_TRST    | 153              | PC_13    | 18       | VDD_EXT    | 143      |          |          |
| PA_00       | 80               | PC_14    | 17       | VDD_EXT    | 147      |          |          |

<sup>1</sup> Pin 177 is the GND supply (see [Figure 91](#)) for the processor; this pad must connect to GND.



# ADSP-SC570/SC571/SC572/SC573/ADSP-21571/21573

## CONFIGURATION OF THE 176-LEAD LQFP LEAD CONFIGURATION

Figure 90 shows the top view of the 176-lead LQFP lead configuration and Figure 91 shows the bottom view of the 176-lead LQFP lead configuration.



Figure 90. 176-Lead LQFP Lead Configuration (Top View)

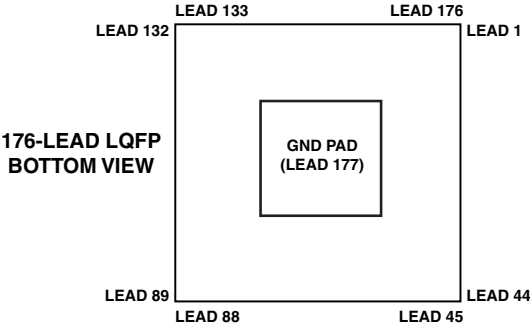
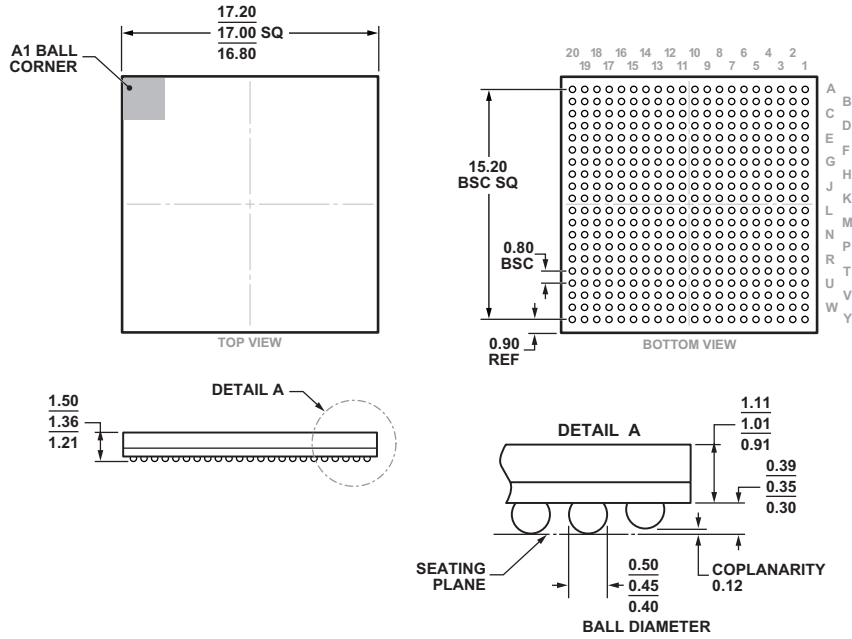


Figure 91. 176-Lead LQFP Lead Configuration (Bottom View)

# ADSP-SC570/SC571/SC572/SC573/ADSP-21571/21573

## OUTLINE DIMENSIONS

Dimensions in [Figure 92](#) (for the 400-ball BGA) and [Figure 93](#) (for the 176-lead LQFP) are shown in millimeters.



COMPLIANT TO JEDEC STANDARDS MO-275-MMAB-1

Figure 92. 400-Ball Chip Scale Package Ball Grid Array [CSP\_BGA] (BC-400-2)

Dimensions shown in millimeters

# ADSP-SC570/SC571/SC572/SC573/ADSP-21571/21573

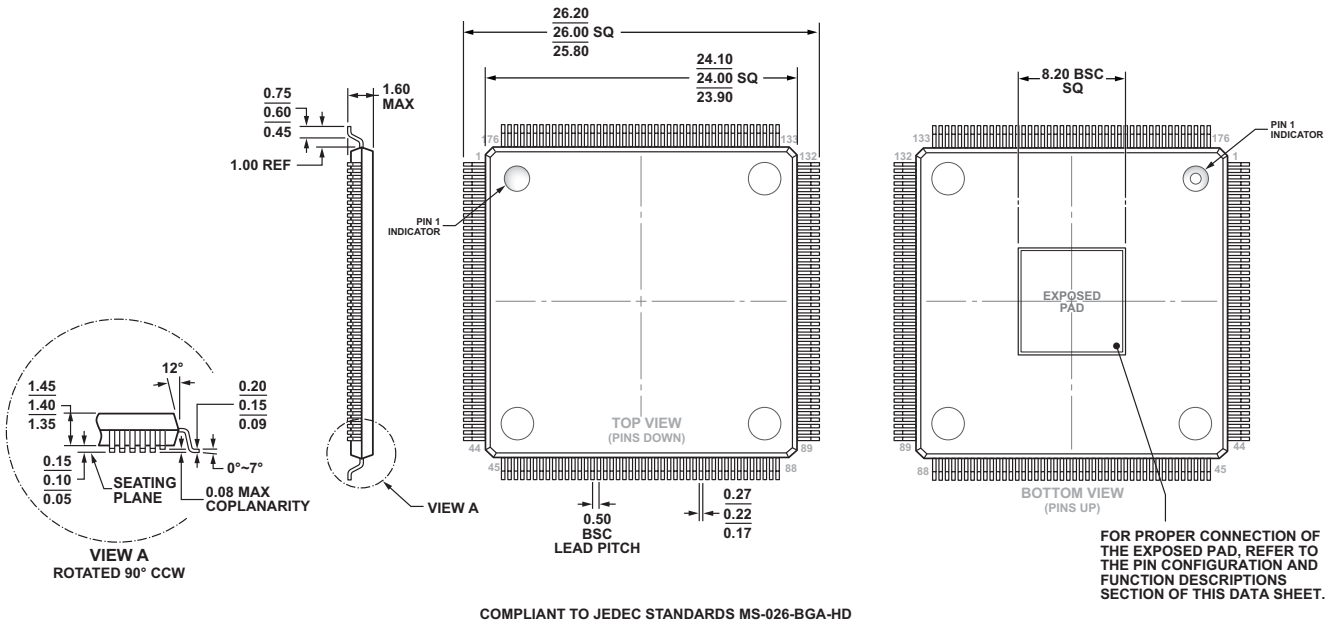


Figure 93. 176-Lead Low Profile Quad Flat Package, Exposed Pad [LQFP\_EP]  
(SW-176-5)  
Dimensions shown in millimeters

## SURFACE-MOUNT DESIGN

Table 98 is provided as an aid to PCB design. For industry-standard design recommendations, refer to IPC-7351, *Generic Requirements for Surface-Mount Design and Land Pattern Standard*.

Table 98. CSP\_BGA Data for Use with Surface-Mount Design

| Package  | Package Ball Attach Type | Package Solder Mask Opening | Package Ball Pad Size |
|----------|--------------------------|-----------------------------|-----------------------|
| BC-400-2 | Solder Mask Defined      | 0.4 mm Diameter             | 0.5 mm Diameter       |

# ADSP-SC570/SC571/SC572/SC573/ADSP-21571/21573

## AUTOMOTIVE PRODUCTS

The following models are available with controlled manufacturing to support the quality and reliability requirements of automotive applications. Note that these automotive models may have specifications that differ from the commercial models; therefore, designers should review the [Specifications](#) section of

this data sheet carefully. Only the automotive grade products shown in [Table 99](#) are available for use in automotive applications. Contact your local Analog Devices account representative for specific product ordering information and to obtain the specific Automotive Reliability reports for these models.

**Table 99. Automotive Products**

| Model <sup>1, 2, 3</sup> | Processor Instruction Rate (Max) | ARM Instruction Rate (Max) <sup>4</sup> | Temperature Range <sup>5</sup> | ARM Cores <sup>4</sup> | SHARC+ Cores | External Memory Ports | Package Description  | Package Option |
|--------------------------|----------------------------------|---|--------------------------------|------------------------|--------------|-----------------------|----------------------|----------------|
| AD21571WCSWZ4xx          | 450 MHz                          | N/A                                     | -40°C to +105°C                | N/A                    | 2            | 0                     | 176-Lead LQFP_EP     | SW-176-5       |
| AD21571WCSWZ5xx          | 500 MHz                          | N/A                                     | -40°C to +105°C                | N/A                    | 2            | 0                     | 176-Lead LQFP_EP     | SW-176-5       |
| AD21573WCBCZ4xx          | 450 MHz                          | N/A                                     | -40°C to +105°C                | N/A                    | 2            | 1                     | Pad 400-Ball CSP_BGA | BC-400-2       |
| AD21573WCBCZ5xx          | 500 MHz                          | N/A                                     | -40°C to +105°C                | N/A                    | 2            | 1                     | Pad 400-Ball CSP_BGA | BC-400-2       |
| ADSC570WCSWZ42xx         | 450 MHz                          | 225 MHz                                 | -40°C to +105°C                | 1                      | 1            | 0                     | 176-Lead LQFP_EP     | SW-176-5       |
| ADSC570WCSWZ4xx          | 450 MHz                          | 450 MHz                                 | -40°C to +105°C                | 1                      | 1            | 0                     | 176-Lead LQFP_EP     | SW-176-5       |
| ADSC571WCSWZ3xx          | 300 MHz                          | 300 MHz                                 | -40°C to +105°C                | 1                      | 2            | 0                     | 176-Lead LQFP_EP     | SW-176-5       |
| ADSC571WCSWZ4xx          | 450 MHz                          | 450 MHz                                 | -40°C to +105°C                | 1                      | 2            | 0                     | 176-Lead LQFP_EP     | SW-176-5       |
| ADSC571WCSWZ5xx          | 500 MHz                          | 500 MHz                                 | -40°C to +105°C                | 1                      | 2            | 0                     | 176-Lead LQFP_EP     | SW-176-5       |
| ADSC572WCBCZ42xx         | 450 MHz                          | 225 MHz                                 | -40°C to +105°C                | 1                      | 1            | 1                     | Pad 400-Ball CSP_BGA | BC-400-2       |
| ADSC572WCBCZ4xx          | 450 MHz                          | 450 MHz                                 | -40°C to +105°C                | 1                      | 1            | 1                     | Pad 400-Ball CSP_BGA | BC-400-2       |
| ADSC573WCBCZ3xx          | 300 MHz                          | 300 MHz                                 | -40°C to +105°C                | 1                      | 2            | 1                     | Pad 400-Ball CSP_BGA | BC-400-2       |
| ADSC573WCBCZ4xx          | 450 MHz                          | 450 MHz                                 | -40°C to +105°C                | 1                      | 2            | 1                     | Pad 400-Ball CSP_BGA | BC-400-2       |
| ADSC573WCBCZ5xx          | 500 MHz                          | 500 MHz                                 | -40°C to +105°C                | 1                      | 2            | 1                     | Pad 400-Ball CSP_BGA | BC-400-2       |

<sup>1</sup>Z = RoHS Compliant Part.

<sup>2</sup>xx denotes the current die revision.

<sup>3</sup>For evaluation of all models, order the ADZS-SC573-EZLITE evaluation board.

<sup>4</sup>N/A means not applicable.

<sup>5</sup>Referenced temperature is ambient temperature. The ambient temperature is not a specification. Please see the [Operating Conditions](#) section for the junction temperature (T<sub>J</sub>) specification which is the only temperature specification.

# ADSP-SC570/SC571/SC572/SC573/ADSP-21571/21573

## ORDERING GUIDE

| Model <sup>1, 2</sup> | Processor Instruction Rate (Max) | ARM Instruction Rate (Max) <sup>3</sup> | Temperature Range <sup>4</sup> | ARM Cores <sup>3</sup> | SHARC+ Cores | External Memory Ports | Package Description  | Package Option |
|-----------------------|----------------------------------|---|--------------------------------|------------------------|--------------|-----------------------|----------------------|----------------|
| ADSP-21571KSWZ-4      | 450 MHz                          | N/A                                     | 0°C to +70°C                   | N/A                    | 2            | 0                     | 176-Lead LQFP_EP     | SW-176-5       |
| ADSP-21571BSWZ-4      | 450 MHz                          | N/A                                     | -40°C to +85°C                 | N/A                    | 2            | 0                     | 176-Lead LQFP_EP     | SW-176-5       |
| ADSP-21571CSWZ-4      | 450 MHz                          | N/A                                     | -40°C to +105°C                | N/A                    | 2            | 0                     | 176-Lead LQFP_EP     | SW-176-5       |
| ADSP-21571KSWZ-5      | 500 MHz                          | N/A                                     | 0°C to +70°C                   | N/A                    | 2            | 0                     | 176-Lead LQFP_EP     | SW-176-5       |
| ADSP-21571BSWZ-5      | 500 MHz                          | N/A                                     | -40°C to +85°C                 | N/A                    | 2            | 0                     | 176-Lead LQFP_EP     | SW-176-5       |
| ADSP-21571CSWZ-5      | 500 MHz                          | N/A                                     | -40°C to +100°C                | N/A                    | 2            | 0                     | 176-Lead LQFP_EP     | SW-176-5       |
| ADSP-21573KBCZ-4      | 450 MHz                          | N/A                                     | 0°C to +70°C                   | N/A                    | 2            | 1                     | Pad 400-Ball CSP_BGA | BC-400-2       |
| ADSP-21573BBCZ-4      | 450 MHz                          | N/A                                     | -40°C to +85°C                 | N/A                    | 2            | 1                     | Pad 400-Ball CSP_BGA | BC-400-2       |
| ADSP-21573CBCZ-4      | 450 MHz                          | N/A                                     | -40°C to +100°C                | N/A                    | 2            | 1                     | Pad 400-Ball CSP_BGA | BC-400-2       |
| ADSP-21573KBCZ-5      | 500 MHz                          | N/A                                     | 0°C to +70°C                   | N/A                    | 2            | 1                     | Pad 400-Ball CSP_BGA | BC-400-2       |
| ADSP-21573BBCZ-5      | 500 MHz                          | N/A                                     | -40°C to +85°C                 | N/A                    | 2            | 1                     | Pad 400-Ball CSP_BGA | BC-400-2       |
| ADSP-21573CBCZ-5      | 500 MHz                          | N/A                                     | -40°C to +95°C                 | N/A                    | 2            | 1                     | Pad 400-Ball CSP_BGA | BC-400-2       |
| ADSP-SC570KSWZ-42     | 450 MHz                          | 225 MHz                                 | 0°C to +70°C                   | 1                      | 1            | 0                     | 176-Lead LQFP_EP     | SW-176-5       |
| ADSP-SC570BSWZ-42     | 450 MHz                          | 225 MHz                                 | -40°C to +85°C                 | 1                      | 1            | 0                     | 176-Lead LQFP_EP     | SW-176-5       |
| ADSP-SC570CSWZ-42     | 450 MHz                          | 225 MHz                                 | -40°C to +105°C                | 1                      | 1            | 0                     | 176-Lead LQFP_EP     | SW-176-5       |
| ADSP-SC570KSWZ-4      | 450 MHz                          | 450 MHz                                 | 0°C to +70°C                   | 1                      | 1            | 0                     | 176-Lead LQFP_EP     | SW-176-5       |
| ADSP-SC570BSWZ-4      | 450 MHz                          | 450 MHz                                 | -40°C to +85°C                 | 1                      | 1            | 0                     | 176-Lead LQFP_EP     | SW-176-5       |
| ADSP-SC570CSWZ-4      | 450 MHz                          | 450 MHz                                 | -40°C to +105°C                | 1                      | 1            | 0                     | 176-Lead LQFP_EP     | SW-176-5       |
| ADSP-SC571KSWZ-3      | 300 MHz                          | 300 MHz                                 | 0°C to +70°C                   | 1                      | 2            | 0                     | 176-Lead LQFP_EP     | SW-176-5       |
| ADSP-SC571BSWZ-3      | 300 MHz                          | 300 MHz                                 | -40°C to +85°C                 | 1                      | 2            | 0                     | 176-Lead LQFP_EP     | SW-176-5       |
| ADSP-SC571CSWZ-3      | 300 MHz                          | 300 MHz                                 | -40°C to +105°C                | 1                      | 2            | 0                     | 176-Lead LQFP_EP     | SW-176-5       |
| ADSP-SC571KSWZ-4      | 450 MHz                          | 450 MHz                                 | 0°C to +70°C                   | 1                      | 2            | 0                     | 176-Lead LQFP_EP     | SW-176-5       |
| ADSP-SC571BSWZ-4      | 450 MHz                          | 450 MHz                                 | -40°C to +85°C                 | 1                      | 2            | 0                     | 176-Lead LQFP_EP     | SW-176-5       |
| ADSP-SC571CSWZ-4      | 450 MHz                          | 450 MHz                                 | -40°C to +105°C                | 1                      | 2            | 0                     | 176-Lead LQFP_EP     | SW-176-5       |
| ADSP-SC571KSWZ-5      | 500 MHz                          | 500 MHz                                 | 0°C to +70°C                   | 1                      | 2            | 0                     | 176-Lead LQFP_EP     | SW-176-5       |
| ADSP-SC571BSWZ-5      | 500 MHz                          | 500 MHz                                 | -40°C to +85°C                 | 1                      | 2            | 0                     | 176-Lead LQFP_EP     | SW-176-5       |
| ADSP-SC571CSWZ-5      | 500 MHz                          | 500 MHz                                 | -40°C to +100°C                | 1                      | 2            | 0                     | 176-Lead LQFP_EP     | SW-176-5       |
| ADSP-SC572KBCZ-42     | 450 MHz                          | 225 MHz                                 | 0°C to +70°C                   | 1                      | 1            | 1                     | Pad 400-Ball CSP_BGA | BC-400-2       |
| ADSP-SC572BBCZ-42     | 450 MHz                          | 225 MHz                                 | -40°C to +85°C                 | 1                      | 1            | 1                     | Pad 400-Ball CSP_BGA | BC-400-2       |
| ADSP-SC572CBCZ-42     | 450 MHz                          | 225 MHz                                 | -40°C to +100°C                | 1                      | 1            | 1                     | Pad 400-Ball CSP_BGA | BC-400-2       |
| ADSP-SC572KBCZ-4      | 450 MHz                          | 450 MHz                                 | 0°C to +70°C                   | 1                      | 1            | 1                     | Pad 400-Ball CSP_BGA | BC-400-2       |
| ADSP-SC572BBCZ-4      | 450 MHz                          | 450 MHz                                 | -40°C to +85°C                 | 1                      | 1            | 1                     | Pad 400-Ball CSP_BGA | BC-400-2       |
| ADSP-SC572CBCZ-4      | 450 MHz                          | 450 MHz                                 | -40°C to +100°C                | 1                      | 1            | 1                     | Pad 400-Ball CSP_BGA | BC-400-2       |
| ADSP-SC573KBCZ-3      | 300 MHz                          | 300 MHz                                 | 0°C to +70°C                   | 1                      | 2            | 1                     | Pad 400-Ball CSP_BGA | BC-400-2       |
| ADSP-SC573BBCZ-3      | 300 MHz                          | 300 MHz                                 | -40°C to +85°C                 | 1                      | 2            | 1                     | Pad 400-Ball CSP_BGA | BC-400-2       |
| ADSP-SC573CBCZ-3      | 300 MHz                          | 300 MHz                                 | -40°C to +100°C                | 1                      | 2            | 1                     | Pad 400-Ball CSP_BGA | BC-400-2       |
| ADSP-SC573KBCZ-4      | 450 MHz                          | 450 MHz                                 | 0°C to +70°C                   | 1                      | 2            | 1                     | Pad 400-Ball CSP_BGA | BC-400-2       |
| ADSP-SC573BBCZ-4      | 450 MHz                          | 450 MHz                                 | -40°C to +85°C                 | 1                      | 2            | 1                     | Pad 400-Ball CSP_BGA | BC-400-2       |
| ADSP-SC573CBCZ-4      | 450 MHz                          | 450 MHz                                 | -40°C to +100°C                | 1                      | 2            | 1                     | Pad 400-Ball CSP_BGA | BC-400-2       |
| ADSP-SC573KBCZ-5      | 500 MHz                          | 500 MHz                                 | 0°C to +70°C                   | 1                      | 2            | 1                     | Pad 400-Ball CSP_BGA | BC-400-2       |
| ADSP-SC573BBCZ-5      | 500 MHz                          | 500 MHz                                 | -40°C to +85°C                 | 1                      | 2            | 1                     | Pad 400-Ball CSP_BGA | BC-400-2       |
| ADSP-SC573CBCZ-5      | 500 MHz                          | 500 MHz                                 | -40°C to +95°C                 | 1                      | 2            | 1                     | Pad 400-Ball CSP_BGA | BC-400-2       |

<sup>1</sup> Z = RoHS Compliant Part.

<sup>2</sup> For evaluation of all models, order the ADZS-SC573-EZLITE evaluation board.

<sup>3</sup> N/A means not applicable.

<sup>4</sup> Referenced temperature is ambient temperature. The ambient temperature is not a specification. Please see the [Operating Conditions](#) section for the junction temperature (T<sub>j</sub>) specification which is the only temperature specification.