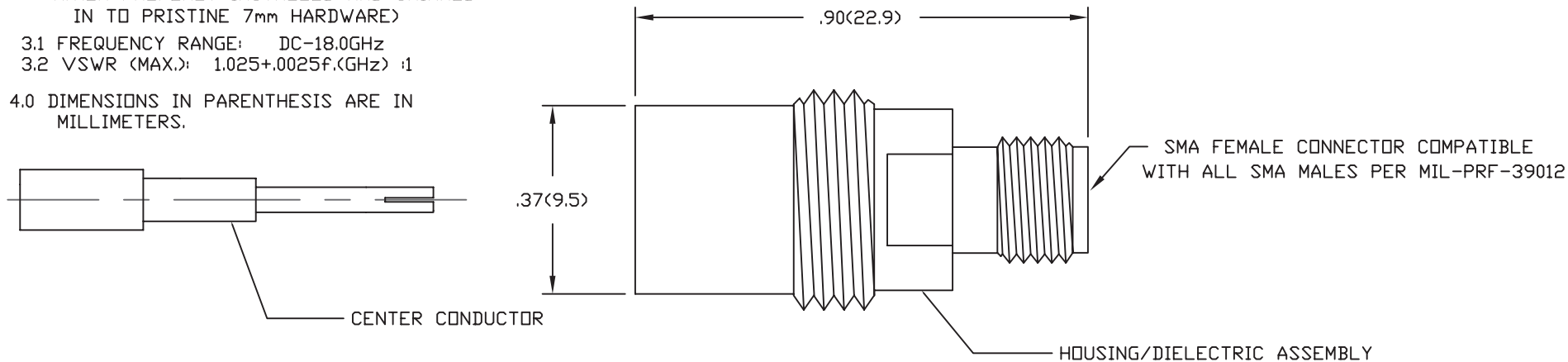


MODEL NUMBER
ADT-2543-7M-SMF-02

NOTES:


- 1.0 MATERIALS: ALL PER MIL-PRF-39012
- 1.1 HOUSING: STAINLESS STEEL PER ASTM-A582, TYPE 303.
- 1.2 CENTER CONTACT: BERYLLIUM COPPER ROD ALLOY C172, PER ASTM-B194.
- 1.3 DIELECTRIC: PTFE FLUOROCARBON PER ASTM-D1457.
- 2.0 PLATING: ALL PER MIL-PRF-39012
- 2.1 HOUSING: PASSIVATED PER MIL-F-14072 AND QQ-P-35.
- 2.2 CENTER CONTACT: GOLD PER MIL-G-45204, TYPE , CLASS 2.
- 3.0 ELECTRICAL SPECIFICATION:
(WHEN PROPERLY INSTALLED AND SHIMMED IN TO PRISTINE 7mm HARDWARE)
- 3.1 FREQUENCY RANGE: DC-18.0GHz
- 3.2 VSWR (MAX.): 1.025+.0025F.(GHz) :1
- 4.0 DIMENSIONS IN PARENTHESIS ARE IN MILLIMETERS.



REV.	DESCRIPTION	DATE
-	RELEASED	6/29/01

NOTICE: The information contained in this drawing is proprietary and must not be used without the permission of Cinch Connectivity Solutions.

UNLESS OTHERWISE NOTED DIMENSIONS ARE IN INCHES AND TOLERANCES ARE:
 3 PLACE DECIMALS ±.005
 2 PLACE DECIMALS ±.02
 FRACTIONS ±1/64
 PARALLELITY: T.I.R. _____
 FLATNESS: T.I.R. _____
 CONCENTRICITY: T.I.R. _____
 ANGLES AND PERPENDICULARITY: ±1°

CAGE CODE 34078		MIDWEST MICROWAVE	
		TITLE ADAPTER – REBUILD KIT FOR 7MM TO SMA FEMALE OUTLINE DRAWING	
		DRAWING NUMBER ADT-2543-7M-SMF-02-01	REV. -
DRAWN/DATE J.VERNON 6/22/98 CHECKED/DATE	ENG./DATE C.RIGGE 6/28/01 APPROVED/DATE	SCALE: 5=1	SHEET 1 of 1