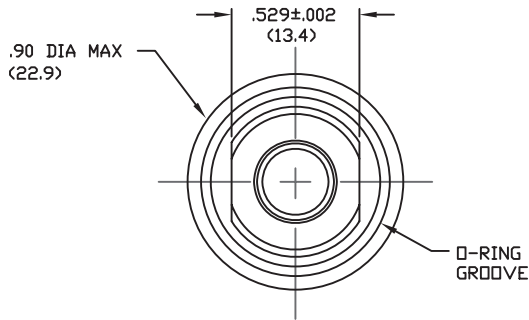


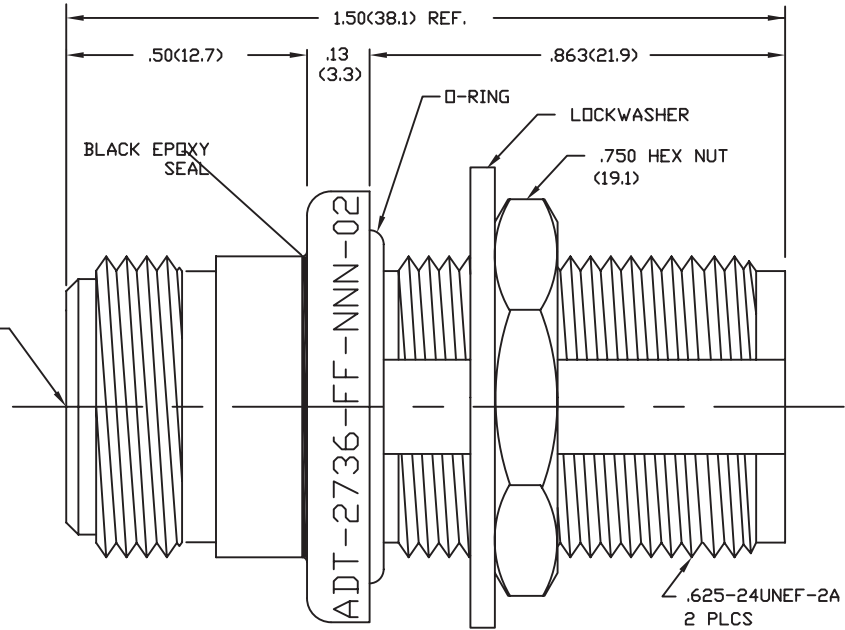
NOTES:

- 1.0 MATERIALS:
 - 1.1 HOUSINGS & WASHER: STAINLESS STEEL PER ASTM-A582, TYPE 303.
 - 1.2 CENTER CONTACT: BERYLLIUM COPPER ROD ALLOY C172, PER ASTM-B196.
- 2.0 PLATING:
 - 2.1 HOUSING & WASHER: PASSIVATED PER MIL-F-14072 AND QQ-P-35
 - 2.2 CENTER CONTACT: GOLD PER MIL-G-45204, TYPE II, CLASS 2
- 3.0 MECHANICAL
 - 3.1 INTERFACE: MIL-STD-348 IN ACCORDANCE WITH MIL-C-39012.
 - 3.2 CENTER CONTACT CAPTURED IN ACCORDANCE WITH MIL-C-39012
- 4.0 DIMENSIONS IN PARENTHESIS ARE IN PER MIL-C-39012 MILLIMETERS.
- 5.0 ELECTRICAL SPECIFICATIONS
 - 5.1 FREQ. RANGE: DC TO 18.0 GHZ
 - 5.2 VSWR: 1.15:1 MAX.
 - 5.3 INSERTION LOSS: 0.25dB MAX.
 - 5.4 IMPEDANCE: 50 OHMS
- 6.0 MARKING: MARK UNIT AS SHOWN (REF.: INK-06819-27-06)



END VIEW
(NOT TO SCALE)

DWG NO. WAS: 06719-01-00




MODEL NUMBER
ADT-2736-FF-NNN-02

REV.	DESCRIPTION	DATE
-	RELEASED	7/18/86
A	ECR 4638	7/18/86
B	ECR 6545	8/1/89
C	NO CAD/UPDATE MARKING	10/12/93
D	ECN 18203	11/14/01

NOTICE: The information contained in this drawing is proprietary and must not be used without the permission of Cinch Connectivity Solutions.

UNLESS OTHERWISE NOTED DIMENSIONS ARE IN INCHES AND TOLERANCES ARE:
 3 PLACE DECIMALS ±.005
 2 PLACE DECIMALS ±.02
 FRACTIONS ±1/64
 PARALLELITY: T.I.R. _____
 FLATNESS: T.I.R. _____
 CONCENTRICITY: T.I.R. _____
 ANGLES AND PERPENDICULARITY: ±1'

CAGE CODE 34078		MIDWEST MICROWAVE	
		TITLE ADAPTER-TYPE N BULKHEAD FEEDTHRU PRECISION JACK OUTLINE DRAWING	
		DRAWING NUMBER ADT-2736-FF-NNN-02-01	REV. D
DRAWN/DATE A.BEATTY 10/12/93	ENG./DATE A.OSGA 10/18/93	SCALE: 5=1	
CHECKED/DATE M.HÖLLMANN 10/18/93	APPROVED/DATE G.HOUGHTON 11/14/01	SHEET 1 of 1	