

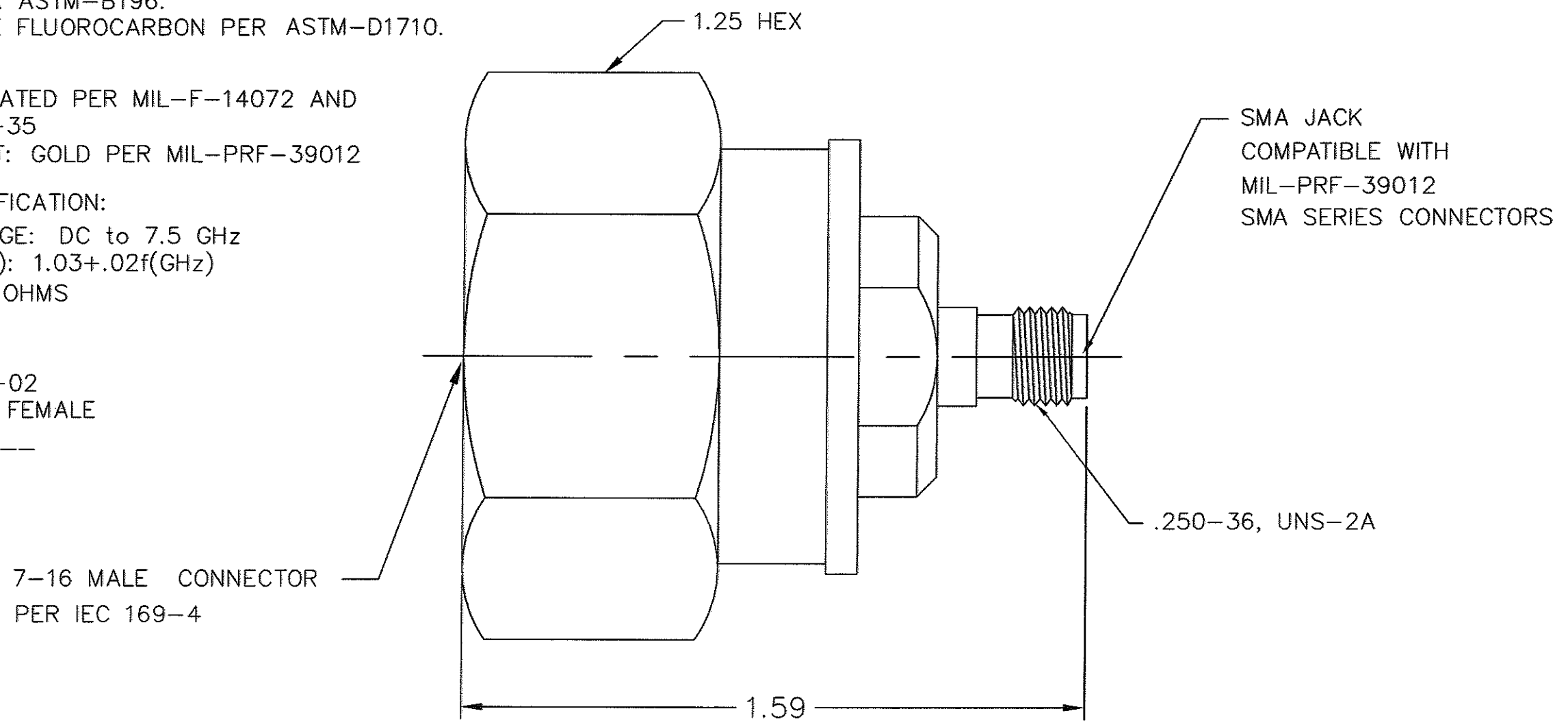
NOTES:

- 1.0 MATERIALS:
 1.1 HOUSING: STAINLESS STEEL PER ASTM-A582, TYPE 303.
 1.2 CENTER CONTACT: BERYLLIUM COPPER ROD ALLOY C172, PER ASTM-B196.
 1.3 DIELECTRIC: PTFE FLUOROCARBON PER ASTM-D1710.

- 2.0 PLATING:
 2.1 HOUSING: PASSIVATED PER MIL-F-14072 AND SAE AMS QQ-P-35
 2.2 CENTER CONTACT: GOLD PER MIL-PRF-39012

- 3.0 ELECTRICAL SPECIFICATION:
 3.1 FREQUENCY RANGE: DC to 7.5 GHz
 3.2 VSWR (MAXIMUM): 1.03+.02f(GHz)
 3.3 IMPEDANCE: 50 OHMS

- 4.0 BAG MARKING:
 ADT-2880-76-SMF-02
 7-16 MALE TO SMA FEMALE
 LOT # _____



7-16 MALE CONNECTOR
PER IEC 169-4

SMA JACK
COMPATIBLE WITH
MIL-PRF-39012
SMA SERIES CONNECTORS

.250-36, UNS-2A

1.59

REV.	DESCRIPTION	DATE
-	RELEASED	2/16/07

UNLESS OTHERWISE NOTED DIMENSIONS ARE IN INCHES AND TOLERANCES ARE:		FSCM NO. 34078		MIDWEST MICROWAVE	
3 PLACE DECIMALS ±.005		NOTICE: The information contained in this drawing is proprietary and must not be used without the permission of Midwest Microwave		TITLE ADAPTER 7-16 MALE to SMA FEMALE	
2 PLACE DECIMALS ±.02					
FRACTIONS ±1/64		DRAWN/DATE S. ORLOV 2/16/07		DRAWING NUMBER ADT-2880-76-SMF-02	
PARALLELITY: T.I.R. _____		ENG./DATE 2/16/07		SCALE: 3=1	
FLATNESS: T.I.R. _____		APPROVED/DATE 2/16/07		SHEET 1 of 1	
CONCENTRICITY: T.I.R. _____		CHECKED/DATE			
ANGLES AND PERPENDICULARITY: ±1°					