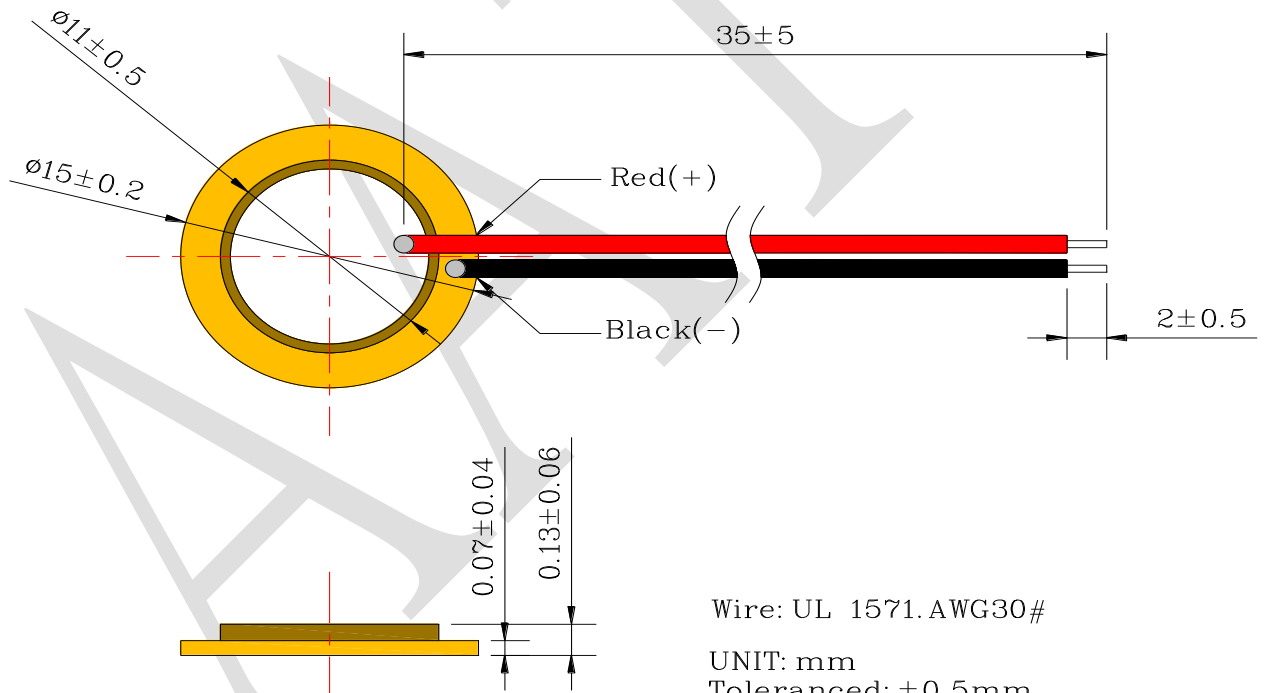


1. SPECIFICATION

AE-1540E-W1

| TYPE | | EXTERNAL -drive type sound element | | |
|------|--------------------|------------------------------------|------------|-----------------------------|
| ITEM | UNITS | SPECIFICATIONS | CONDITIONS | |
| 01 | Input Voltage | V (Max) | 30 | Vp-p (Square Wave) 1/2 duty |
| 02 | Resonant Frequency | KHz | 4.0± 0.5 | at 25± 2°C , 45~60% RH |
| 03 | Resonant Impedance | Ω (Max) | 500 | at 25± 2°C , 45~60% RH |
| 04 | Capacitance | pF | 20000±30% | At 120Hz |
| 05 | Plate Material | | | BRASS |



RoHS

For more information, please contact AATC.

AATC