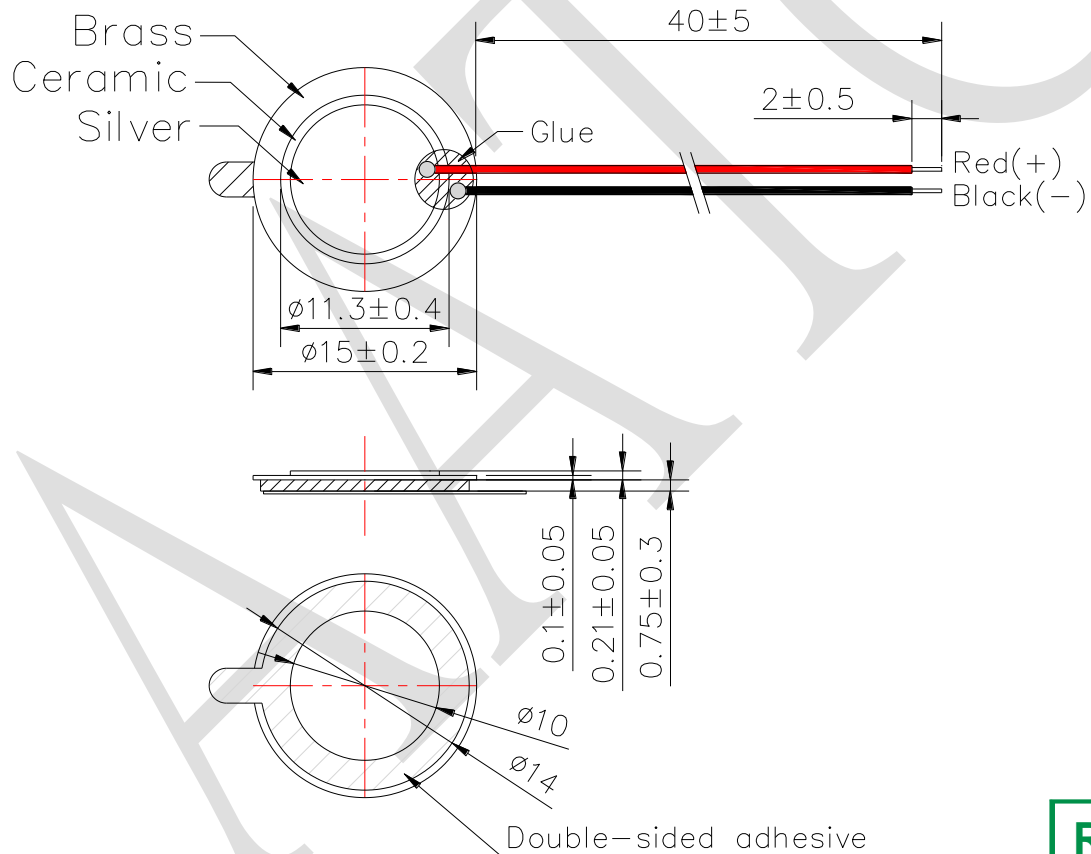


1. SPECIFICATION

AE-1560E-WV2

TYPE		EXTERNAL -drive type sound element		
ITEM	UNITS	SPECIFICATIONS	CONDITIONS	
01	Input Voltage	V (Max)	30	Vp-p (Square Wave) 1/2 duty
02	Resonant Frequency	KHz	6.0± 0.5	at 25± 2°C , 45~60% RH
03	Resonant Impedance	Ω (Max)	300	at 25± 2°C , 45~60% RH
04	Capacitance	pF	14000±30%	At 120Hz
05	Plate Material			BRASS



Wire: UL3302, AWG32#
 UNIT: mm



For more information, please contact AATC.

AATC