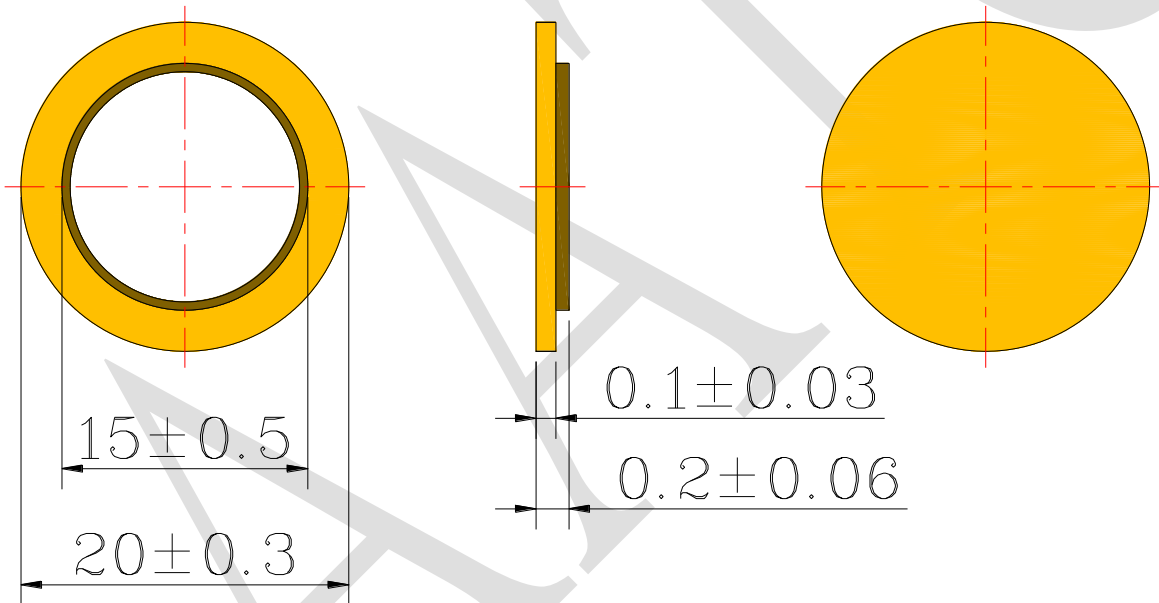


1. SPECIFICATION

AE-2030E-N1

TYPE		EXTERNAL -drive type sound element		
ITEM		UNITS	SPECIFICATIONS	CONDITIONS
01	Input Voltage	V (Max)	30	Vp-p (Square Wave) 1/2 duty
02	Resonant Frequency	KHz	3.0 ± 0.5	at $25 \pm 2^\circ\text{C}$, 45~60% RH
03	Resonant Impedance	Ω (Max)	500	at $25 \pm 2^\circ\text{C}$, 45~60% RH
04	Capacitance	pF	$25000 \pm 30\%$	At 120 Hz
05	Plate Material			BRASS



UNIT: mm

RoHS

For more information, please contact AATC.

AATC