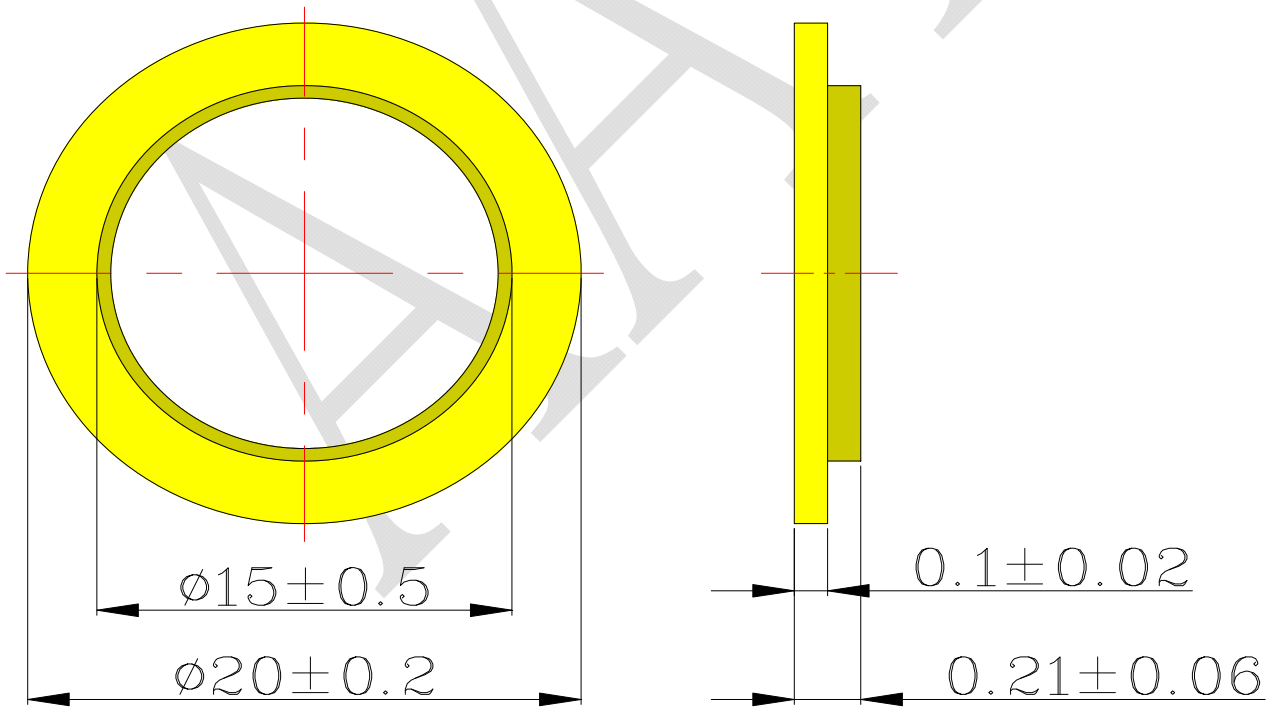


1. SPECIFICATION

AE-2036E-N

TYPE		EXTERNAL -drive type sound element		
ITEM		UNITS	SPECIFICATIONS	CONDITIONS
01	Input Voltage	V (Max)	30	Vp-p (Square Wave) 1/2 duty
02	Resonant Frequency	KHz	3.6± 0.5	at 25± 2°C, 45~60% RH
03	Resonant Impedance	Ω (Max)	300	at 25± 2°C, 45~60% RH
04	Capacitance	pF	20000±30%	At 120Hz
05	Plate Material			BRASS
06	Operating Temp.	°C	-20 ~ +60	
07	Storage Temp.	°C	-20 ~ +70	
08	Weight	g	0.5	



UNIT: mm
Toleranced: ±0.5mm

For more information, please contact AATC.