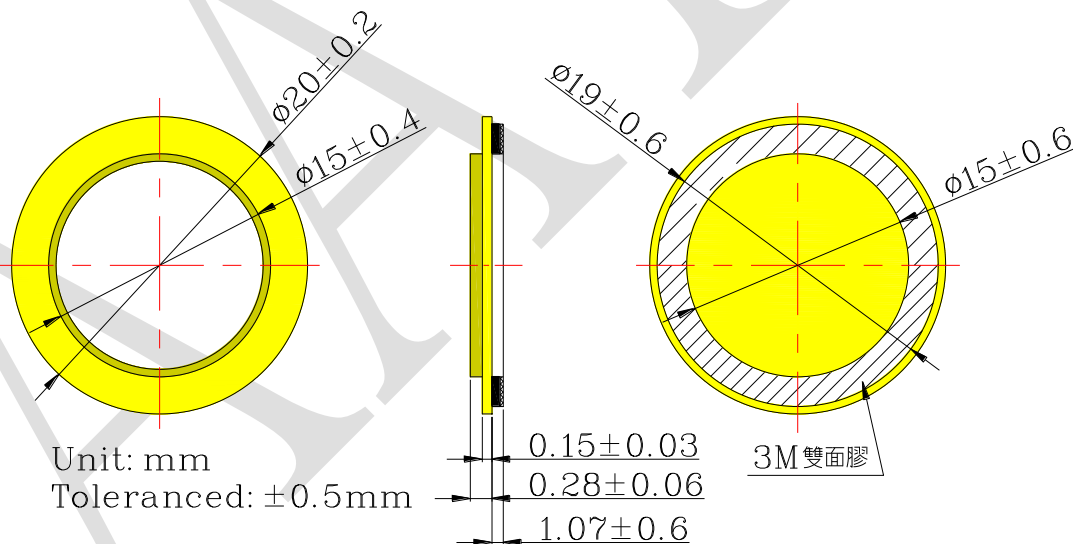


# 1. SPECIFICATION

AE-2038E-3A

TYPE		EXTERNAL -drive type sound element		
ITEM		UNITS	SPECIFICATIONS	CONDITIONS
01	Input Voltage	V (Max)	20	Vp-p (Square Wave) 1/2 duty
02	Resonant Frequency	KHz	3.8± 0.5	at 25± 2°C , 45~60% RH
03	Resonant Impedance	Ω (Max)	300	at 25± 2°C , 45~60% RH
04	Capacitance	pF	25000±30%	At 100Hz
05	Plate Material			BRASS



**RoHS**

For more information, please contact AATC.

AATC