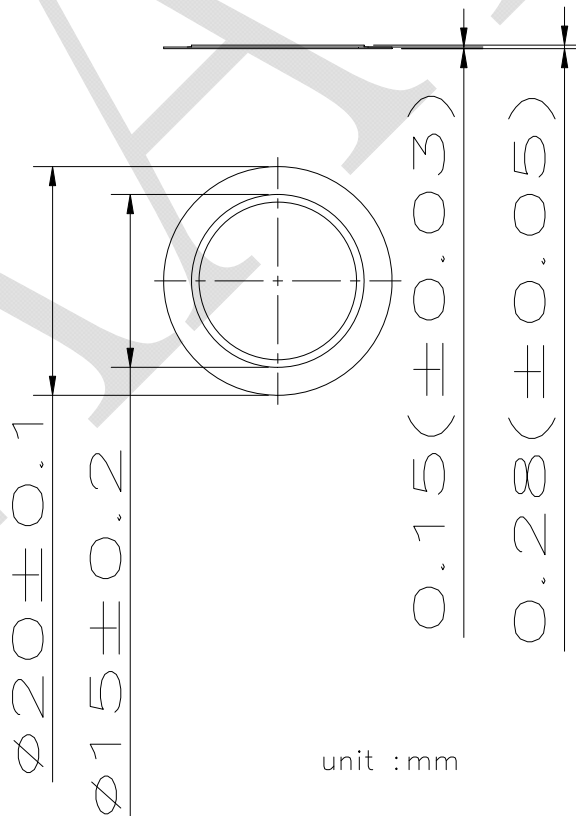


1. SPECIFICATION

AE-2040E-N

TYPE		EXTERNAL -drive type sound element		
ITEM		UNITS	SPECIFICATIONS	CONDITIONS
01	Input Voltage	V (Max)	30	Vp-p (Square Wave) 1/2 duty
02	Resonant Frequency	KHz	4 ± 0.5	at 25± 2°C, 45~60% RH
03	Resonant Impedance	Ω (Max)	300	at 25± 2°C, 45~60% RH
04	Capacitance	pF	26000±30%	At 100 Hz
05	Plate Material			BRASS
06	Operating Temp.	°C	-20 ~ +60	
07	Storage Temp.	°C	-20 ~ +70	
08	Weight	g	0.4	



For more information, please contact AATC.