

AEDC-55xx / AEDC-56xx

High Resolution Two or Three Channel Quick Assembly Encoders With Connector Latch



Data Sheet



Description

The AEDC-5xxx series encoders, while similar to the industry standard HEDS-5xxx series kit encoder, provides a connector latch on the cover housing to improve connector retention. This device is built upon the Avago AEDT-9810 series encoder module, and provides the same performance, low cost, high reliability, high resolution, and ease of assembly customers have come to expect.

Each encoder contains a LED source with lens, an ASIC with integrated photo detector arrays, LED current regulation, interpolator and output driver circuitry, and a code wheel which rotates between the emitter and detector ASIC. The outputs of the AEDC-5xxx are two square waves in quadrature. In addition, a third channel offers index signal, which is a 90 electrical degree, true index pulse which is generated once for each full rotation of the code wheel. The AEDC-5xxx series utilizes a film code wheel allowing for resolutions up to 5000 CPR and accommodating shaft diameters from 2mm to 8mm.

This kit encoder may be quickly and easily mounted to a motor. The electrical interface is through five (single ended) or ten (differential versions) 0.025 inch square pins on 0.100 inch centers. Interface cable assemblies to meet customer requirements are available also.

The differential (line driver) version offers enhanced performance when the encoder is used in noisy environments, or when it is required to drive long cables. It uses an industry standard RS422 compatible line driver IC, AEIC-7272, which provides differential outputs for each of the encoder channels. Suggested line receivers are 26LS32 and 26LS33.

Features

- Available in two or three channel encoder A,B and I
- Latching connector design
- Single 5V supply
- Resolution of up to 5000 CPR
- TTL compatible, with single ended or differential output.
- Quick assembly
- No signal adjustment required
- Small size
- -40 °C to 85 °C operating temperature

Applications

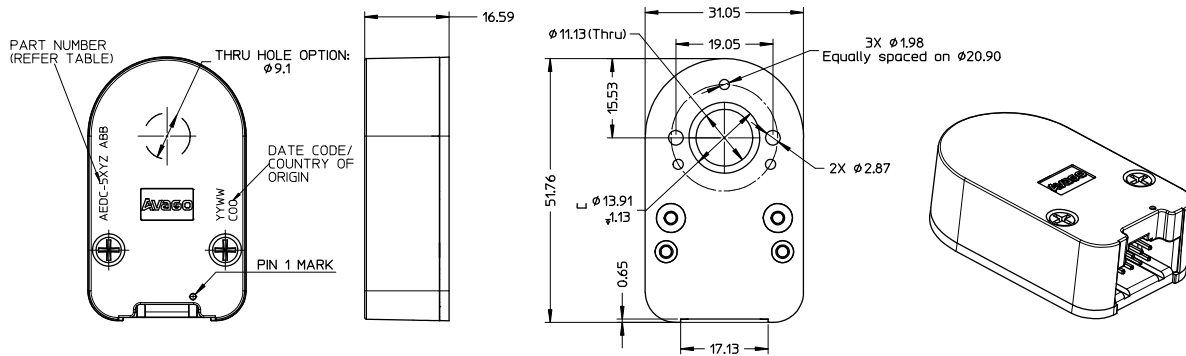
High volume applications such as printers, plotters, tape drives, textile machines, positioning tables and also automatic handlers among others.

Note: Avago Technologies encoders are not recommended for use in safety critical applications, e.g., ABS braking systems, power steering, life support systems and critical care medical equipment. Avago's products and software are not specifically designed, manufactured or authorized for sale as parts, components or assemblies for the planning, construction, maintenance or direct operation of a nuclear facility or for use in medical devices or applications. Customers are solely responsible, and waive all rights to make claims against Avago or its suppliers, for all losses, damage, expense or liability in connection with such use. Please contact your local sales representative if more clarification is needed.

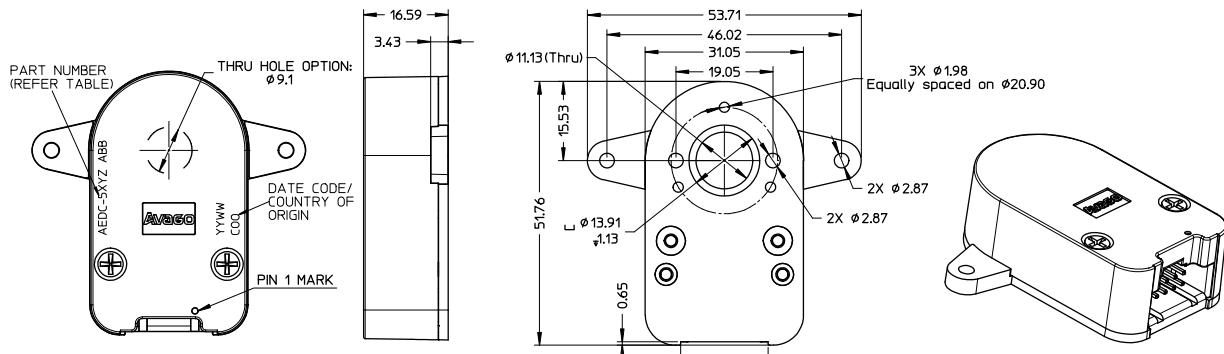
CAUTION: It is advised that normal static precautions be taken in handling and assembly of this component to prevent damage and/or degradation which may be induced by ESD.

Package Dimensions – Differential Line Driver Output Options

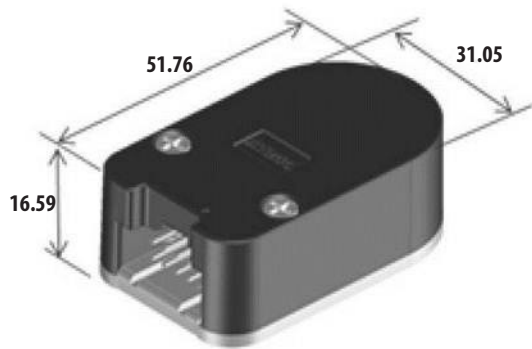
Standard Mounting Considerations



External Ear Mounting Considerations



Package Dimensions



Dimension	Differential/Line driver	unit
Width	31.05	mm
Height	16.59	mm
Length	51.76	mm

Note: All dimensions are in millimeters

Absolute Maximum Ratings

Parameter	
Storage Temperature, T _S	-40°C to +85°C
Operating Temperature, T _A	-40°C to +85°C
Supply Voltage, V _{CC}	-0.5 V to 7 V
Output Voltage, V _O	-0.5 V to V _{CC}
Output Current per Channel, I _{OUT} (Single ended)	± 5 mA
Output Current per Channel, I _{OUT} (Differential Line drivers)	± 20 mA
Vibration	20 g, 5 to 1000 Hz
Shaft Axial Play	±0.15mm (±0.006in)
Shaft Eccentricity Plus Radial Play	0.1mm (0.004in)
Velocity	Max 12,000 RPM **
Acceleration	250,000 rad/sec ²

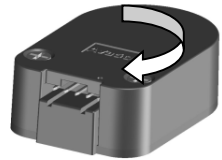
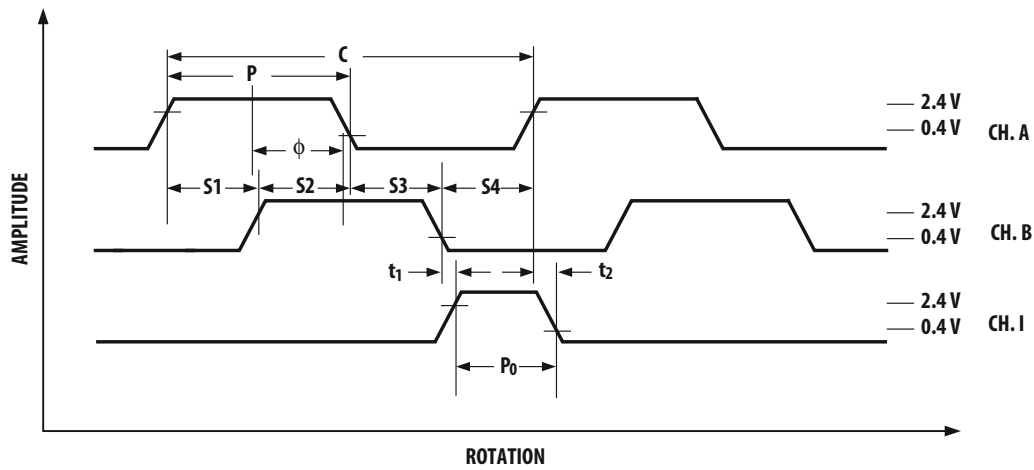
Note **: Velocity 12000 RPM applies to 5000 Count per Revolution

Recommended Operating Conditions

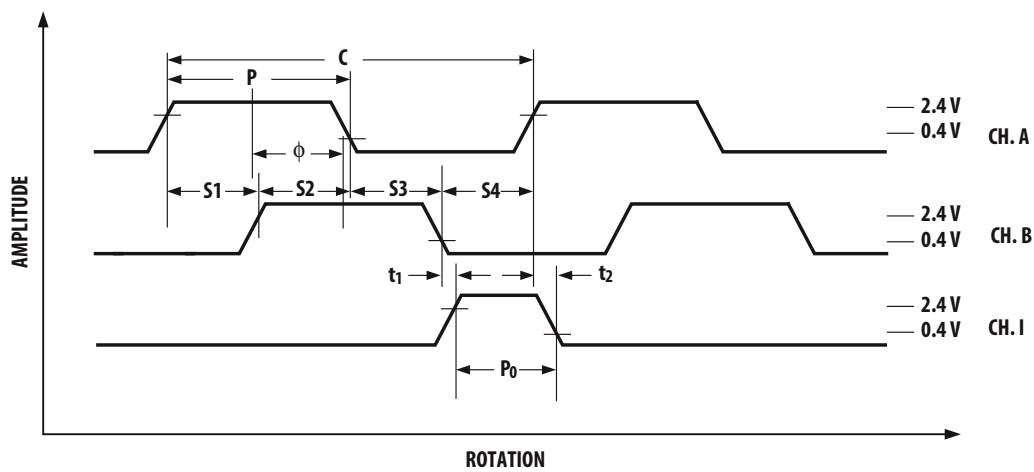
Parameter	Sym.	Min.	Typ.	Max.	Units	Notes
Temperature	T _A	-40		+85	°C	
Supply Voltage	V _{CC}	4.5	5.0	5.5	Volts	Ripple < 100 mVp-p
Count Frequency	f	500	kHz	2000 – 2500CPR		
		1000	kHz	4000 – 5000CPR		

* These are tolerances required of the user. Axial and radial play affects encoder performance and should be minimized.

Output Waveform Phase Diagram (Single Ended Output Options)
Clockwise Rotation – A leads B



Output Waveform Phase Diagram (Differential Line Driver Options)
Counter Clockwise Rotation – A leads B



Electrical Characteristics

Electrical Characteristics over Recommended Operating Range

Part No.	Parameter	Sym.	Min	Typ.*	Max.	Units	Notes
3 channel Single Ended	Supply Current	I _{CC}		25	80	mA	
	High Level Output Voltage	V _{OH}	2.4			V	I _{OH} = -5mA max
	Low Level Output Voltage	V _{OL}			0.4	V	I _{OL} = +5mA max
	Rise Time	t _r		10		ns	C _L = 100pF
	Fall Time	t _f		10		ns	
Differential Line Driver	Supply Current	I _{CC}		35		mA	
	Rise/Fall time	t _r		120		ns	C _L = 40pF
		t _f				ns	R _L = 100Ω

* Typical values specified at V_{CC} = 5.0V and 25°C and for single ended, unless otherwise stated

** Applicable for line driver output version with AEIC 7272 Line driver.

Mechanical Characteristics

Parameter	Symbol	Dimension	Tolerance	Units
Codewheels Fit These Shaft Diameters		4, 5, 6, 8	+0.000 -0.015	mm
		1/4	+0.0000 -0.0007	in
Moment of Inertia	J	0.6 (8.0 x 10 ⁻⁶)		g-cm ² (oz-in-s ²)
Required Shaft Length		14.0 (0.55)	± 0.5 (± 0.02)	mm (in.)
Bolt Circle[3]	2 screw mounting	19.05 (0.750)	± 0.13 (± 0.005)	mm (in.)
	3 screw mounting	20.90 (0.823)	± 0.13 (± 0.005)	mm (in.)
	external mounting ears	46.0 (1.811)	± 0.13 (± 0.005)	mm (in.)
Mounting Screw Size	2 screw mounting	M 2.5 or (2-56)		mm (in.)
	3 screw mounting	M 1.6 or (0-80)		mm (in.)
	external mounting ears	M 2.5 or (2-56)		mm (in.)
Encoder Base Plate Thickness		0.33 (0.130)		mm (in.)
Hub Set Screw		(2-56)		(in.)

Notes

1. An optional cover provides an 8.9mm (0.35 inch) diameter hole through the housing for longer motor shaft.
2. Encoder must be aligned as shown in the "Encoder Mounting and Assembly" instructions.
3. The recommended mounting screw torque for 2 screw mounting is 1.0 kg-cm (0.88 in-lbs). The recommended mounting screw torque for 3 screw mounting is 0.50 kg-cm (0.43 in-lbs).

Encoding Characteristics

Encoding characteristics are applicable per the Recommended Operating Conditions, unless otherwise specified. Values are for the worst case error over the full rotation.

Encoder Resolution ≥ 4000 CPR

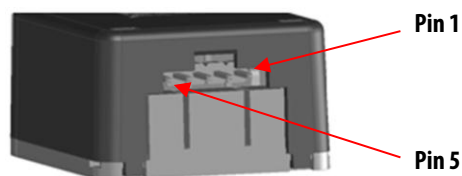
Parameter	Symbol	Min	Typ.*	Max	Units
Pulse Width Error	ΔP		21	45	$^{\circ}e$
Logic State Width Error	ΔS		17	45	$^{\circ}e$
Phase Error	$\Delta\phi$		12	25	$^{\circ}e$
Cycle Error	ΔC		36	60	$^{\circ}e$
Index Pulse Width	P_0	65	90	115	$^{\circ}e$

Encoder Resolution ≤ 2500 CPR

Parameter	Symbol	Min	Typ.*	Max	Units
Pulse Width Error	ΔP		20	30	$^{\circ}e$
Logic State Width Error	ΔS		15	25	$^{\circ}e$
Phase Error	$\Delta\phi$		10	15	$^{\circ}e$
Cycle Error	ΔC		17	30	$^{\circ}e$
Index Pulse Width	P_0	72	90	108	$^{\circ}e$

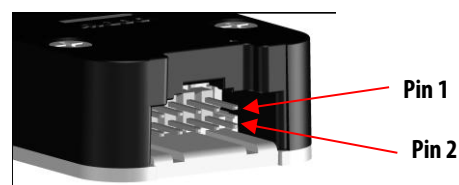
* Typical values specified at $V_{CC} = 5.0V$ and $25^{\circ}C$ and for single ended, unless otherwise stated

Pin-out descriptions



5 Pin (Single Ended) Version

Pin #	Description
1	Ground
2	CH I (*)
3	CH A
4	+ 5 VDC
5	CH B



10 Pin (Differential Line Driver) Version

Pin #	Description Standard	Description HP/Agilent Option
1	Ground	No connection
2	Ground	+ 5 VDC
3	Ch I- (*)	Ground
4	Ch I+ (*)	No connection
5	Ch A-	CH A -
6	Ch A+	CH A +
7	+5VDC	CH B -
8	+5VDC	CH B +
9	CH B-	CH I - (*)
10	CH B+	CH I + (*)

(*) Applies to 3 channel units only

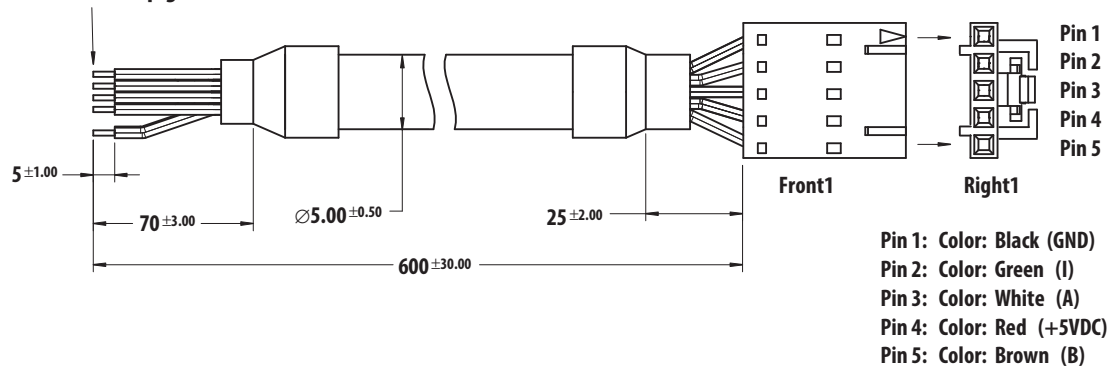
Standard Cable Options

Cable Description*	Part Number	Shielded Cable Length
5 conductor, unshielded 22ga (for single ended use)	HEDC-8520-0060	600mm
8 conductor, shielded, 24ga (for line driver use) – Standard option	HEDC-8850-0060	600mm
8 conductor, shielded, 24ga (for line driver use) – HP/Agilent/Avago option	HEDC-8851-0060	600mm

* All include one end terminated with the mating latching connector, and other end has flying leads.
For other cable options or customization request, please contact your Avago representative or distributor.

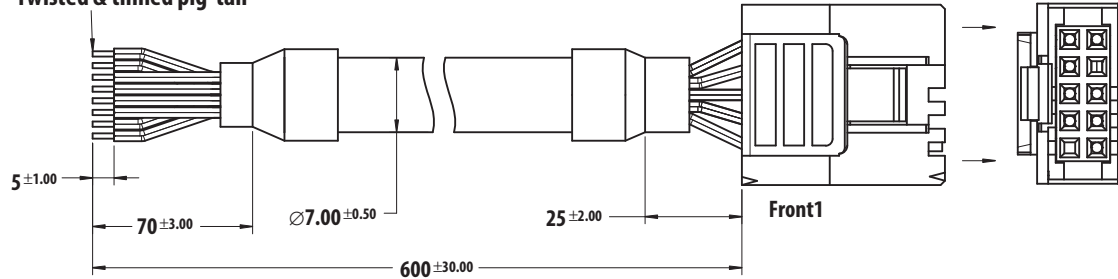
Connector (HEDC-8520-0060)

Twisted & tinned pig tail

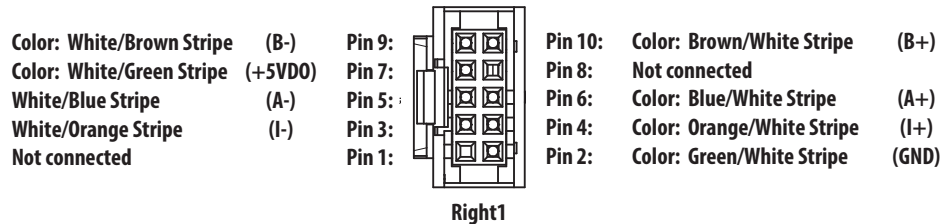


Connector (HEDC-88xx-0060)

Twisted & tinned pig tail



Standard connector pin out (HEDC-8850-0060)



HP/Agilent/Avago connector pin out (HEDC-8851-0060)

