

AEDM-5xxx

Quick Assembly High Resolution Three Channel Optical Encoders



Data Sheet



Description

Avago Technologies' AEDM-5xxx series encoders are high resolution and high performance three channel optical incremental encoders. These encoders emphasize on high reliability, high resolution, and easy assembly.

Each encoder contains a LED source with lens, an ASIC with integrated photo detector arrays, LED current regulation, interpolator and output driver circuitry, and a code wheel which rotates between the emitter and detector ASIC. The outputs of the AEDM-5xxx are two square waves in quadrature. In addition, a third channel offers index signal, which is a 90 electrical degree, true index pulse which is generated once for each full rotation of the code wheel. The AEDM-5xxx series utilizes a film code wheel allowing for resolutions up to 5000 CPR.

These bearing-less housed encoders may be quickly and easily mounted to a motor. For larger diameter motors, the AEDM-59xx series feature external mounting ears option.

The quadrature signals and the index pulse are accessed through five 0.025 inch square pins located on 0.1 inch centers.

Standard resolutions between 2000 and 5000 counts per revolution are presently available. Consult local Avago sales representatives for other resolutions.

Features

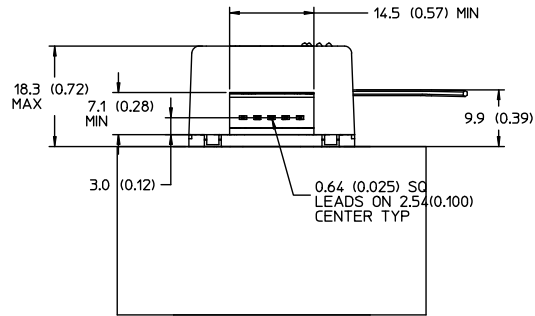
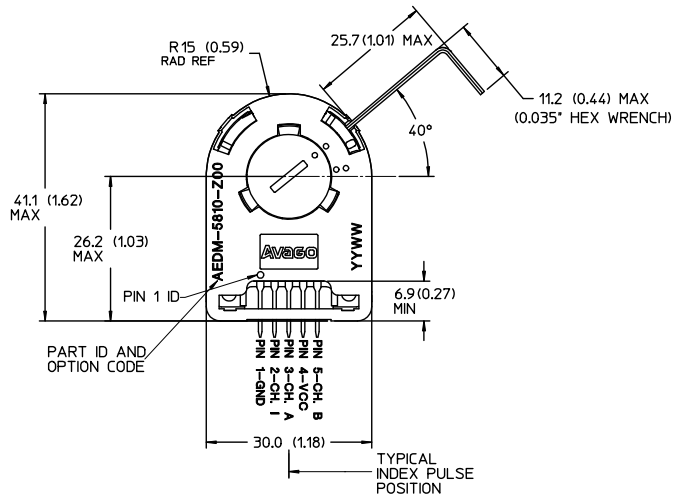
- Two channel quadrature output with index pulse
- High Resolution - up to 5000 CPR
- Operating temperature – 40°C to +85°C
- Quick and easy assembly
- No signal adjustment required
- Cost Effective solution
- Small size
- TTL compatible output
- Single 5V supply with $\pm 10\%$ tolerance
- External mounting ears option available for larger motors.

Note: Avago Technologies encoders are not recommended for use in safety critical applications such as. ABS braking systems, power steering, life support systems and critical care medical equipment. Please contact our sales representative if clarifications are needed.

CAUTION: It is advised that normal static precautions be taken in handling and assembly of this component to prevent damage and/or degradation which may be induced by ESD.

Package dimensions

AEDM-58xx

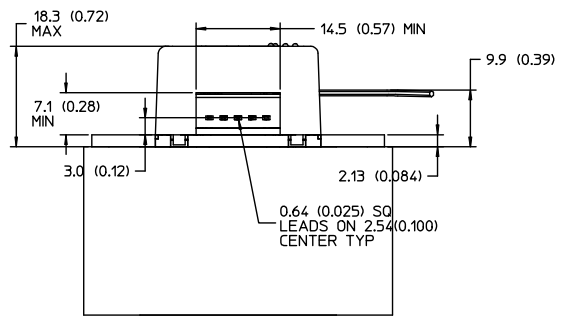
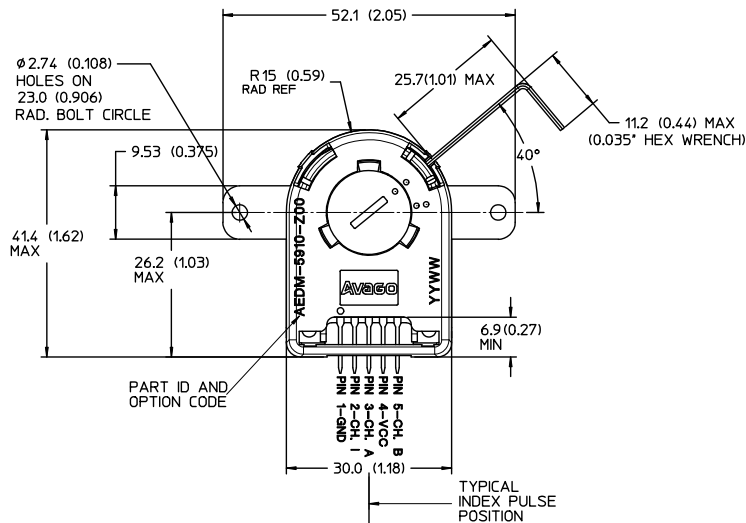


NOTES:

1. LEAVE CLEARANCE FOR TURNING AND REMOVING THE HEX WRENCH.
2. TYPICAL DIMENSIONS IN MILLIMETERS (INCHES).

*Note: For the AEDM-58XX Pin #2 is CH. I, the index output.

AEDM-59xx



NOTES:

1. LEAVE CLEARANCE FOR TURNING AND REMOVING THE HEX WRENCH.
2. TYPICAL DIMENSIONS IN MILLIMETERS (INCHES).

*Note: For the AEDM-59XX Pin #2 is CH. I, the index output.

Absolute Maximum Ratings

| Parameter | Symbol | Minimum | Maximum | Units |
|----------------------------|-----------|---------|----------|-------|
| Storage Temperature | T_s | -40 | +85 | °C |
| Operating Temperature | T_A | -40 | +85 | °C |
| Supply Voltage | V_{CC} | -0.5 | 7 | V |
| Output Voltage | V_O | -0.5 | V_{CC} | V |
| Output Current per Channel | I_{OUT} | | ±5 | mA |
| Velocity | | | 12,000** | RPM |

Note **: Velocity 12000 RPM applies to Encoder Resolution of 5000 CPR

Recommended Operating Conditions

| Parameter | Symbol | Min. | Typ. | Max. | Units | Notes |
|---|----------|------|------|---------------------|-------------|--------------------|
| Temperature | T_A | -40 | | +85 | °C | |
| Supply Voltage | V_{CC} | 4.5 | 5.0 | 5.5 | Volt | Ripple < 100 mVp-p |
| Load Capacitance | C_L | | | 100 | pF | |
| Output Frequency | f | | | 500 | kHz | 2000 – 2500 CPR |
| | | | | 1,000 | kHz | 4000 – 5000 CPR |
| Shaft Perpendicularity Plus Axial Displacement | | | | ± 0.15 (± 0.006) | mm (in.) | |
| Spatial play (including shaft eccentricity) | | | | Ø0.40 (0.016) | mm (in.) | |

Encoding Characteristics

Encoding characteristics are applicable per the Recommended Operating Conditions, unless otherwise specified. Values are for the worst case error over the full rotation.

Encoder Resolution ≥ 4000 CPR

| Parameter | Symbol | Min | Typ.* | Max | Units |
|-------------------------|--------------|-----|-------|-----|-------|
| Pulse Width Error | ΔP | | 21 | 45 | °e |
| Logic State Width Error | ΔS | | 17 | 45 | °e |
| Phase Error | $\Delta\phi$ | | 12 | 25 | °e |
| Cycle Error | ΔC | | 36 | 60 | °e |
| Index Pulse Width | P_0 | 65 | 90 | 115 | °e |

Encoder Resolution ≤ 2500 CPR

| Parameter | Symbol | Min | Typ.* | Max | Units |
|-------------------------|--------------|-----|-------|-----|-------|
| Pulse Width Error | ΔP | | 20 | 30 | °e |
| Logic State Width Error | ΔS | | 15 | 25 | °e |
| Phase Error | $\Delta\phi$ | | 10 | 15 | °e |
| Cycle Error | ΔC | | 17 | 30 | °e |
| Index Pulse Width | P_0 | 72 | 90 | 108 | °e |

* Typical values specified at $V_{CC} = 5.0V$ and 25°C and for single ended, unless otherwise stated

Electrical Characteristics

Electrical Characteristics over Recommended Operating Range

| Parameter | Symbol | Min. | Typ.* | Max. | Units | Notes |
|---------------------------|-----------------|------|-------|------|-------|-------------------------|
| Supply Current | I _{CC} | | 25 | 80 | mA | No load |
| High Level Output Voltage | V _{OH} | 2.4 | | | V | I _{OH} = -5 mA |
| Low Level Output Voltage | V _{OL} | | | 0.4 | V | I _{OL} = 5 mA. |
| Rise Time | t _r | | 10 | | ns | C _L = 100 pF |
| Fall Time | t _f | | 10 | | ns | C _L = 100 pF |

*Typical values specified at V_{CC} = 5.0 V and 25°C.

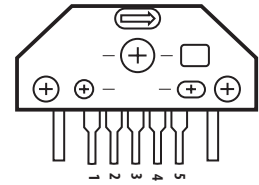
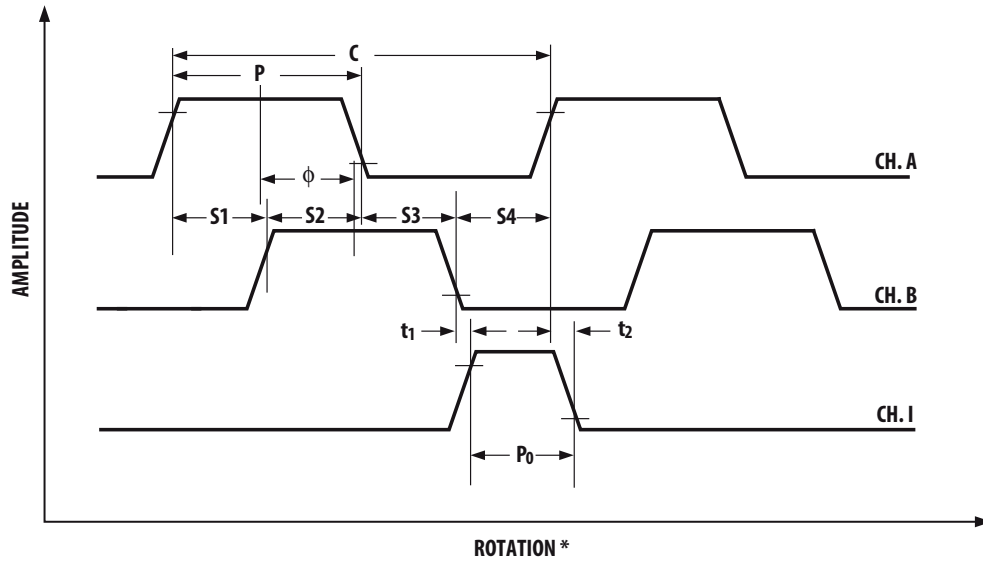
Mechanical Characteristics

| Parameter | Symbol | Dimension | Tolerance ^[1] | Units |
|--------------------------------------|------------------------|-------------------------------|--------------------------|---|
| Shaft Diameters | | Per ordering information | g6 | mm (in.) |
| Moment of Inertia | J | 0.6 (8.0 x 10 ⁻⁶) | | g-cm ² (oz-in-s ²) |
| Required Shaft Length ^[2] | | 14.0 (0.55) | ± 0.5 (± 0.02) | mm (in.) |
| Bolt Circle ^[3] | 2 screw mounting | 19.05 (0.750) | ± 0.13 (± 0.005) | mm (in.) |
| | 3 screw mounting | 20.90 (0.823) | ± 0.13 (± 0.005) | mm (in.) |
| | external mounting ears | 46.0 (1.811) | ± 0.13 (± 0.005) | mm (in.) |
| Mounting Screw Size ^[4] | 2 screw mounting | M 2.5 or (2-56) | | mm (in.) |
| | 3 screw mounting | M 1.6 or (0-80) | | mm (in.) |
| | external mounting ears | M 2.5 or (2-56) | | mm (in.) |
| Encoder Base Plate Thickness | | 0.33 (0.130) | | mm (in.) |
| Hub Set Screw | | (2-56) | | (in.) |

Notes:

1. These are tolerances required of the user.
2. The AEDM-5805, 5905 provide an 8.9 mm (0.35 inch) diameter hole through the housing for longer motor shafts. See Ordering Information.
3. The recommended mounting screw torque for 2 screw and external ear mounting is 1.0 kg-cm (0.88 in-lbs). The recommended mounting screw torque for 3 screw mounting is 0.50 kg-cm (0.43 in-lbs).

Output Waveforms



*** SPIN DIRECTION FOLLOWS ARROW MARKING ON ENCODER**

Direction of Rotation: When the codewheel rotates in the counter-clockwise direction (as viewed from the encoder end of the motor), channel A will lead channel B. If the codewheel rotates in the clockwise direction, channel B will lead channel A.

Mounting Considerations

The AEDM-5xxx Series high resolution encoders must be aligned using the aligning pins as specified in Figure 2, or using the HEDS-8910 Alignment Tool as shown in Encoder Mounting and Assembly.

The AEDM-58xx can be mounted to a motor using either the two screw or three screw mounting option as shown in Figure 1. The optional aligning pins shown in Figure 2 can be used with either mounting option

The AEDM-59xx have external mounting ears which may be used for mounting to larger motor base plates. Figure 3 shows the necessary mounting holes with optional aligning pins and motor boss.

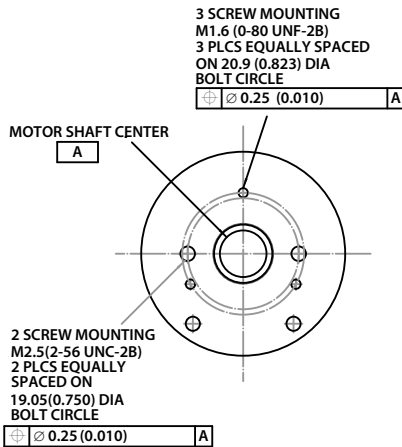


Figure 1. Mounting Holes

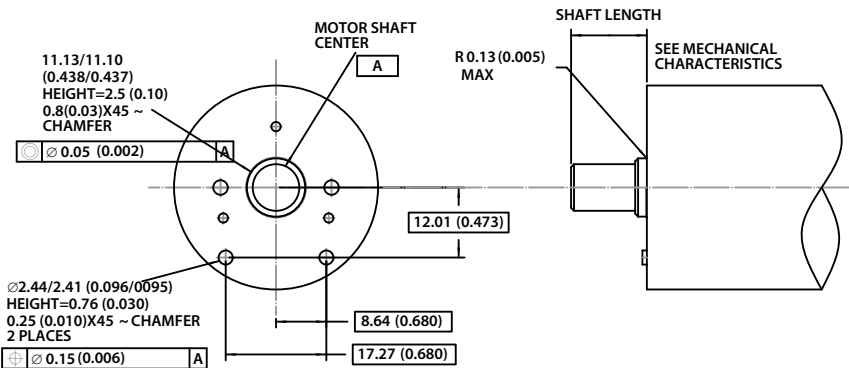


Figure 2. Optional Mounting Aids

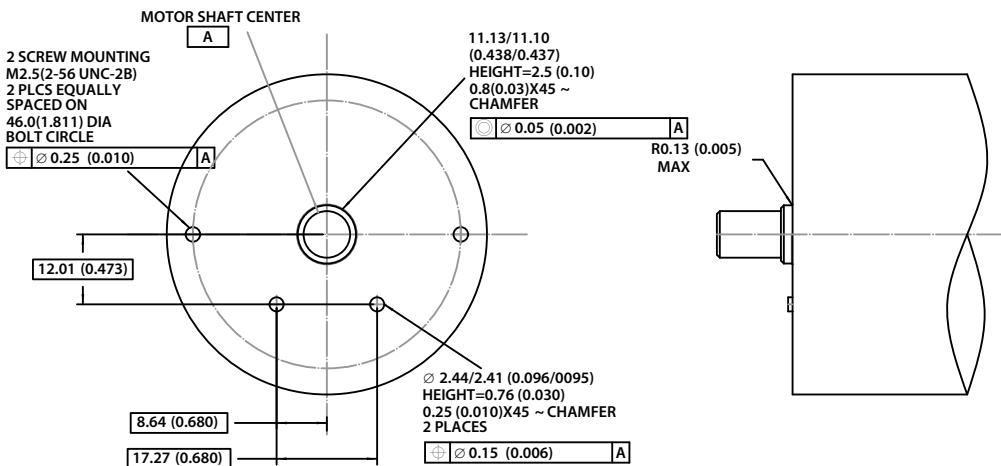


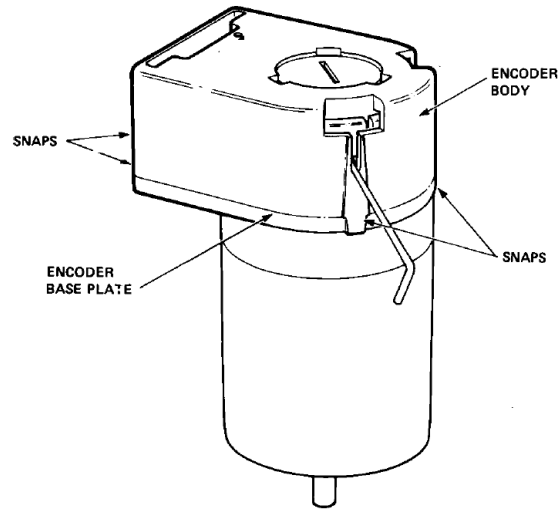
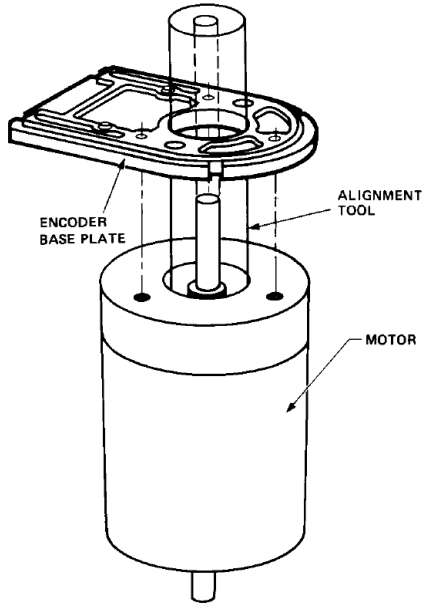
Figure 3. Mounting with external ears

Index Pulse Width (PO): The number of electrical degrees that an index output is high during one full shaft rotation. This value is nominally 90°e or 1/4 cycle.

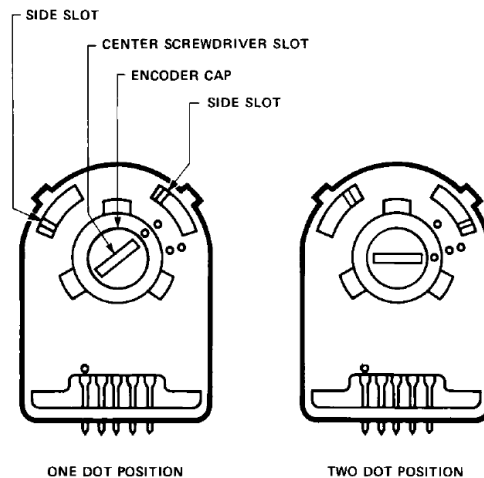
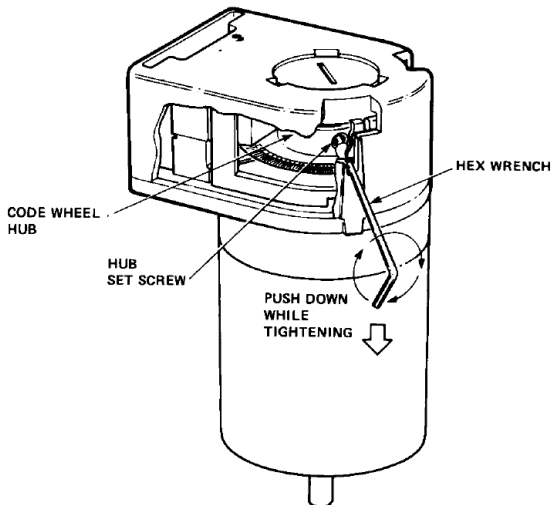
Encoder Mounting and Assembly

Assembly process for AEDM-58xx and AEDM-59xx

1. Slide the alignment tool onto the motor shaft. With alignment tool in place, mount encoder baseplate onto motor as shown above. Ensure that the holes in the baseplate align with the mounting holes in the motor body. Inset and tighten mounting screws* and remove alignment tool.
2. Snap encoder body onto base plate locking all 4 snaps.



- 3a. Inset the hex wrench into the body of the encoder. Ensure that it is properly seated into the code wheel hub set screws. Then apply a downward force on the end of the hex wrench. This sets the code wheel gap by levering the code wheel hub to its upper position.
- 3b. While continuing to apply a downward force, rotate the hex wrench in the clockwise direction until the hub set screw is tight** against the motor shaft. The hub set screw attaches the code wheel to the motor's shaft.
- 3c. Remove the hex wrench by pulling it straight out of the encoder body.



4. Use the center screwdriver slot, or either of the two side slots, to rotate the encoder cap dot clockwise from the one dot position to the two dot position. Do not rotate the encoder cap counterclockwise beyond the one dot position. The encoder is ready for use!

* Adhesive should be applied to the screw-baseplate interface to prevent screws loosening due to the effect of vibration and high temperature on plastic. High temperature rated adhesive such as HERNON Ultra 317 is recommended.

** The recommended torque to tighten the setscrew is 15-18 ozf.inch.

Connectors

HEDS-890x connector dimensions

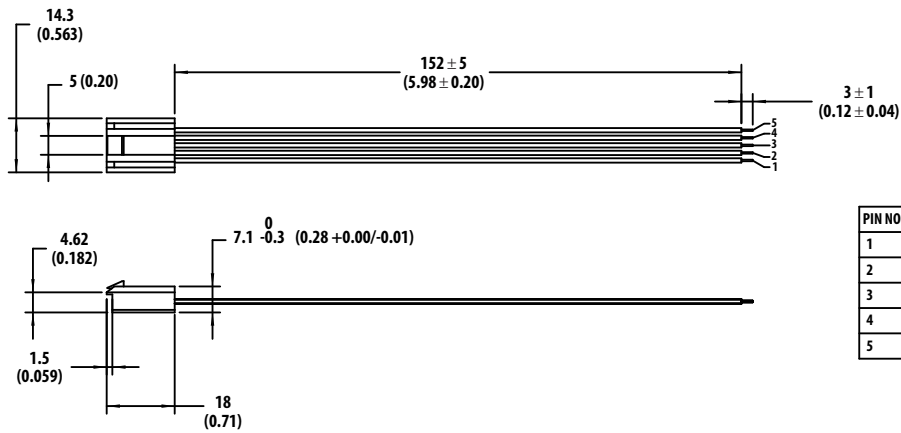


Figure 4. HEDS-8902 and HEDS-8903 Connectors

Connectors

| Manufacturer | Part Number |
|--------------|-------------------------------------|
| AMP | 103686-4 |
| | 640442-5 |
| Avago * | HEDS-8902 (2 ch.) with 4-wire leads |
| | HEDS-8903 (3 ch.) with 5-wire leads |
| Molex | 2695 series with 2759 series term. |

* Avago connectors are designed to mechanically lock into the AEDM-5XXX Series.