

## AEDT-9140 Series

High Temperature 115°C

Three Channel Optical Incremental Encoder Modules

100 CPR to 1000 CPR



## Data Sheet



### Description

The AEDT-9140 series are three channel optical incremental encoder modules. When used with a codewheel, these low cost modules detect rotary position. Each module consists of a lensed LED source and a detector IC enclosed in a small plastic package. Due to a highly collimated light source and a unique photodetector array, these modules are extremely tolerant to mounting misalignment.

The AEDT-9140 has two channel quadrature outputs plus a third channel index output. This index output is a 90 electrical degree high true index pulse which is generated once for each full rotation of the codewheel.

The AEDT-9140 optical encoder is designed for use with a codewheel which has an optical radius of 11.00 mm (0.433 inch) for 100 CPR to 1000 CPR and 11.68 mm (0.460 inch) for 1000 CPR.

The quadrature signals and the index pulse are accessed through five 0.46 mm square pins located on 1.27 mm (pitch) centers.

### Features

- Two channel quadrature output with index pulse
- Resolution from 100 CPR to 1000 CPR (Cycles Per Revolution)
- Low cost
- Easy to mount
- No signal adjustment required
- Small size
- -40°C to 115°C operating temperature
- TTL compatible
- Single 5V supply

### Applications

Typical applications include:

- Printers
- Plotters
- Tape drives
- Machine tools
- Industrial and factory automation equipment.

Note: Avago Technologies encoders are not recommended for use in safety critical applications. Eg. ABS braking systems, power steering, life support systems and critical care medical.

## Theory of Operation

The AEDT-9140 is an emitter/detector module. Coupled with a codewheel, these modules translates rotary motion of a shaft into a three-channel digital output.

As seen in Figure 1, the modules contain a single Light Emitting Diode (LED) as its light source. The light is collimated into a parallel beam by means of a single polycarbonate lens located directly over the LED. Opposite the emitter is the integrated detector circuit. This IC consists of multiple sets of photodetectors and the signal processing circuitry necessary to produce the digital waveforms.

The codewheel rotates between the emitter and detector, causing the light beam to be interrupted by the pattern of spaces and bars on the codewheel.

The photodiodes which detect these interruptions are arranged in a pattern that corresponds to the radius and design of the code-wheel. These detectors are also spaced such that a light period on one pair of detectors corresponds to a dark period on the adjacent pair of detectors.

The photodiode outputs are then fed through the signal processing circuitry resulting in A, A-bar, B, B-bar, I and I-bar. Comparators receive these signals and produce the final output for channels A and B. Due to this integrated phasing technique, the digital output of channel A is in quadrature with that of channel B (90 degrees out of phase).

## Definitions

Note: Refer to Figure 2

**Cycles (N):** The number of electrical cycles per revolution (CPR). Note: CPR refers to the raw signal from encoder, that is the cycles before 4x decode.

**One Cycle (C):** 360 electrical degrees ( $^{\circ}$ e).

**One Shaft Rotation:** 360 mechanical degrees, N cycles.

**Cycle Error ( $\Delta C$ ):** An indication of cycle uniformity. The difference between an observed shaft angle which gives rise to one electrical cycle, and the nominal angular increment of  $1/N$  of a revolution.

**Pulse Width (S):** The number of electrical degrees that an output is high during 1 cycle. This value is nominally  $180^{\circ}$ e or  $1/2$  cycle.

**Pulse Width Error ( $\Delta P$ ):** The deviation, in electrical degrees, of the pulse width from its ideal value of  $180^{\circ}$ e.

**State Width (S):** The number of electrical degrees between a transition in the output of channel A and the neighboring transition in the output of channel B. There are 4 states per cycle, each nominally  $90^{\circ}$ e.

**State Width Error ( $\Delta S$ ):** The deviation, in electrical degrees, of each state width from its ideal value of  $90^{\circ}$ e.

**Phase Error ( $\Delta\phi$ ):** The deviation of the phase from its ideal value of  $90^{\circ}$ e.

**Direction of Rotation:** When the codewheel rotates in the clockwise direction viewing from top of the module (direction from V to G), channel A will lead channel B. If the codewheel rotates in the opposite direction, channel B will lead channel A.

**Optical Radius (Rop):** The distance from the codewheel's center of rotation to the optical center (O.C) of the encoder module.

**Index Pulse Width (Po):** The number of electrical degrees that an index is high during one full shaft rotation. This value is nominally  $90^{\circ}$ e or  $1/4$  cycle.

### Block Diagram

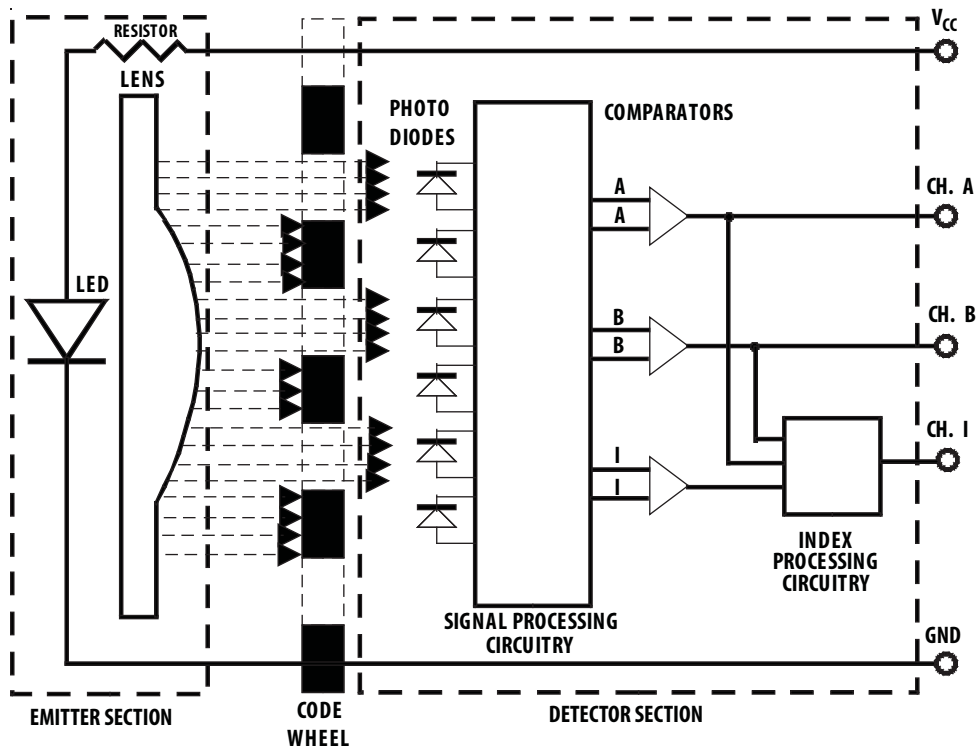


Figure 1.

### Output Waveforms

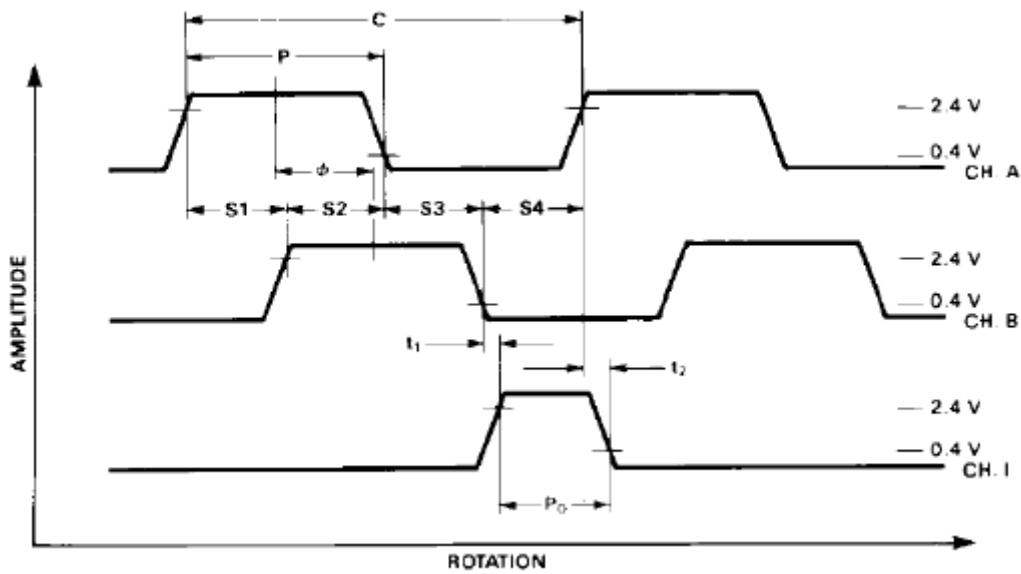


Figure 2.

## AEDT-9140 Technical Specifications

### Absolute Maximum Ratings

| Parameter                                    | Symbol           | Min. | Max.            | Units | Notes |
|--|------------------|------|-----------------|-------|-------|
| Storage Temperature                          | T <sub>S</sub>   | -40  | 115             | °C    |       |
| Operating Temperature                        | T <sub>A</sub>   | -40  | 115             | °C    |       |
| Supply Voltage                               | V <sub>CC</sub>  | -0.5 | 7               | Volts |       |
| Output Voltage                               | V <sub>O</sub>   | -0.5 | V <sub>CC</sub> | Volts |       |
| Output Current per Channel, I <sub>OUT</sub> | I <sub>OUT</sub> | -1.0 | 18              | mA    |       |

### Recommended Operating Conditions

| Parameter                                 | Symbol          | Min. | Typ. | Max.                | Units       | Notes                           |
|---|-----------------|------|------|---------------------|-------------|---------------------------------|
| Temperature                               | T <sub>A</sub>  | -40  |      | 115                 | °C          |                                 |
| Supply Voltage                            | V <sub>CC</sub> | 4.5  | 5.0  | 5.5                 | Volts       | Ripple < 100mVp-p               |
| Load Capacitance                          | C <sub>L</sub>  |      |      | 100                 | pF          | 2.7 kΩ pull-up                  |
| Frequency                                 | f               |      |      | 100                 | kHz         | Velocity (rpm) x N/60           |
| Shaft Perpendicularity<br>Plus Axial Play |                 |      |      | ± 0.20<br>(± 0.008) | mm<br>(in.) | Refer to Mounting Consideration |
| Shaft Eccentricity<br>Plus Radial Play    |                 |      |      | 0.04<br>(0.0015)    | mm<br>(in.) | Refer to Mounting Consideration |

### Electrical Characteristics

Electrical characteristics over recommend operating range, typical at 25°C.

| Parameter                 | Symbol          | Min. | Typ | Max. | Units | Notes                           |
|---------------------------|-----------------|------|-----|------|-------|---------------------------------|
| Supply Current            | I <sub>CC</sub> | 30   | 57  | 85   | mA    |                                 |
| High Level Output Voltage | V <sub>OH</sub> | 2.4  |     |      | V     | Typ. I <sub>OH</sub> = -0.5 mA  |
| Low Level Output Voltage  | V <sub>OL</sub> |      |     | 0.4  | V     | Typ. I <sub>OL</sub> = 10 mA    |
| Rise Time                 | t <sub>r</sub>  |      | 180 |      | ns    | C <sub>L</sub> = 25 pF          |
| Fall Time                 | t <sub>f</sub>  |      | 50  |      | ns    | R <sub>L</sub> = 2.7 kΩ pull-up |

Note: Typical values specified at V<sub>CC</sub> = 5.0 V and 25 °C

## Encoding Characteristics

### AEDT-9140 (except – B0B)

Encoding Characteristics over the recommended operating conditions and recommended mounting tolerances unless otherwise specified.

| Parameter                            | Symbol          | Min.             | Typ. | Max. | Units       |    |
|--------------------------------------|-----------------|------------------|------|------|-------------|----|
| Cycle Error                          | $\Delta_C$      |                  | 3    | 15   | °e          |    |
| Pulse Width Error                    | $\Delta_P$      |                  | 7    | 30   | °e          |    |
| Logic State Width Error              | $\Delta_S$      |                  | 5    | 30   | °e          |    |
| Phase Error                          | $\Delta_\phi$   |                  | 2    | 15   | °e          |    |
| Position Error                       | $\Delta_\theta$ |                  | 10   | 40   | min. of arc |    |
| Index Pulse Width                    | $P_o$           | 60               | 90   | 120  | °e          |    |
| CH I rise after<br>CH B or CH A fall | $t_1$           | -40°C to + 115°C | 10   | 100  | 1000        | ns |
| CH I rise after<br>CH A or CH B rise | $t_2$           | -40°C to + 115°C | 10   | 300  | 1000        | ns |

## Encoding Characteristics

### AEDT-9140-B0B & AEDT-9140-B00

Encoding characteristics over the recommended operating conditions and recommended mounting tolerances unless otherwise specified.

| Parameter                            | Symbol          | Min.             | Typ. | Max. | Units       |    |
|--------------------------------------|-----------------|------------------|------|------|-------------|----|
| Cycle Error - B0B option             | $\Delta_C$      |                  | 3    | 15   | °e          |    |
| - B00 option                         |                 |                  | 6    | 20   |             |    |
| Pulse Width Error                    | $\Delta_P$      |                  | 7    | 50   | °e          |    |
| Logic State Width Error              | $\Delta_S$      |                  | 5    | 50   | °e          |    |
| Phase Error                          | $\Delta_\phi$   |                  | 2    | 15   | °e          |    |
| Position Error                       | $\Delta_\theta$ |                  | 10   | 40   | min. of arc |    |
| Index Pulse Width                    | $P_o$           | 40               | 90   | 120  | °e          |    |
| CH I rise after<br>CH B or CH A fall | $t_1$           | -40°C to + 115°C | 10   | 450  | 1500        | ns |
| CH I rise after<br>CH A or CH B rise | $t_2$           | -40°C to + 115°C | 10   | 250  | 1500        | ns |

## Electrical Interface

To ensure reliable encoding performance, the AEDT-9140 three channel encoder modules require 2.7 kΩ (± 10%) pull-up resistors on output pins 2, 3, and 5 (Channels A, I and B) as shown in Figure 3. These pull-up resistors should

be located as close to the encoder module as possible (within 4 feet). Each of the three encoder module outputs can drive a single TTL load in this configuration.

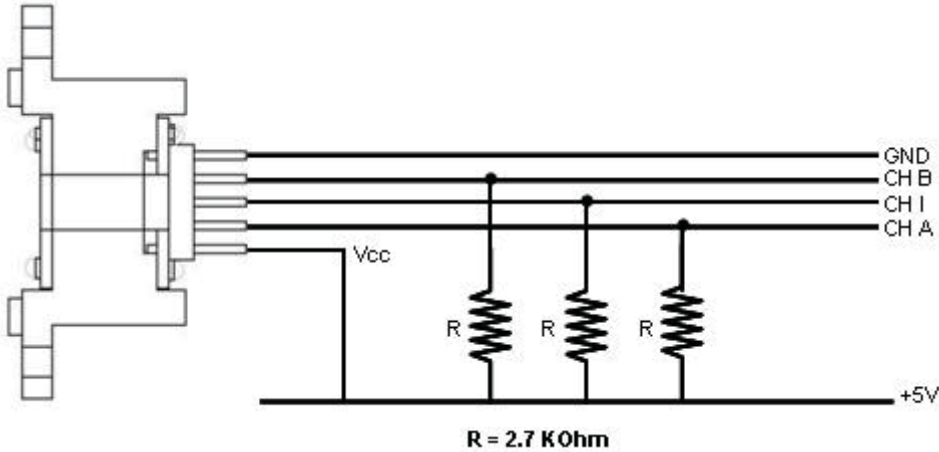


Figure 3.

## Customized Solutions

Customization of codewheel CPR is possible. It has to be based on the encoder LPI table given below.

| Part Number   | LPI   |
|---------------|-------|
| AEDT-9140-C00 | 36.7  |
| AEDT-9140-E00 | 73.5  |
| AEDT-9140-F00 | 94    |
| AEDT-9140-G00 | 132.3 |
| AEDT-9140-H00 | 147   |
| AEDT-9140-A00 | 183   |
| AEDT-9140-I00 | 188   |
| AEDT-9140-B0B | 346   |
| AEDT-9140-B00 | 367.5 |

## CPR calculation formula:

$$\text{CPR} = \frac{\text{LPI} \times 2 \times \pi \times \text{ROP}}{25.4}$$

Where:

CPR = Counts Per Revolution

LPI = Encoder LPI provided in the table

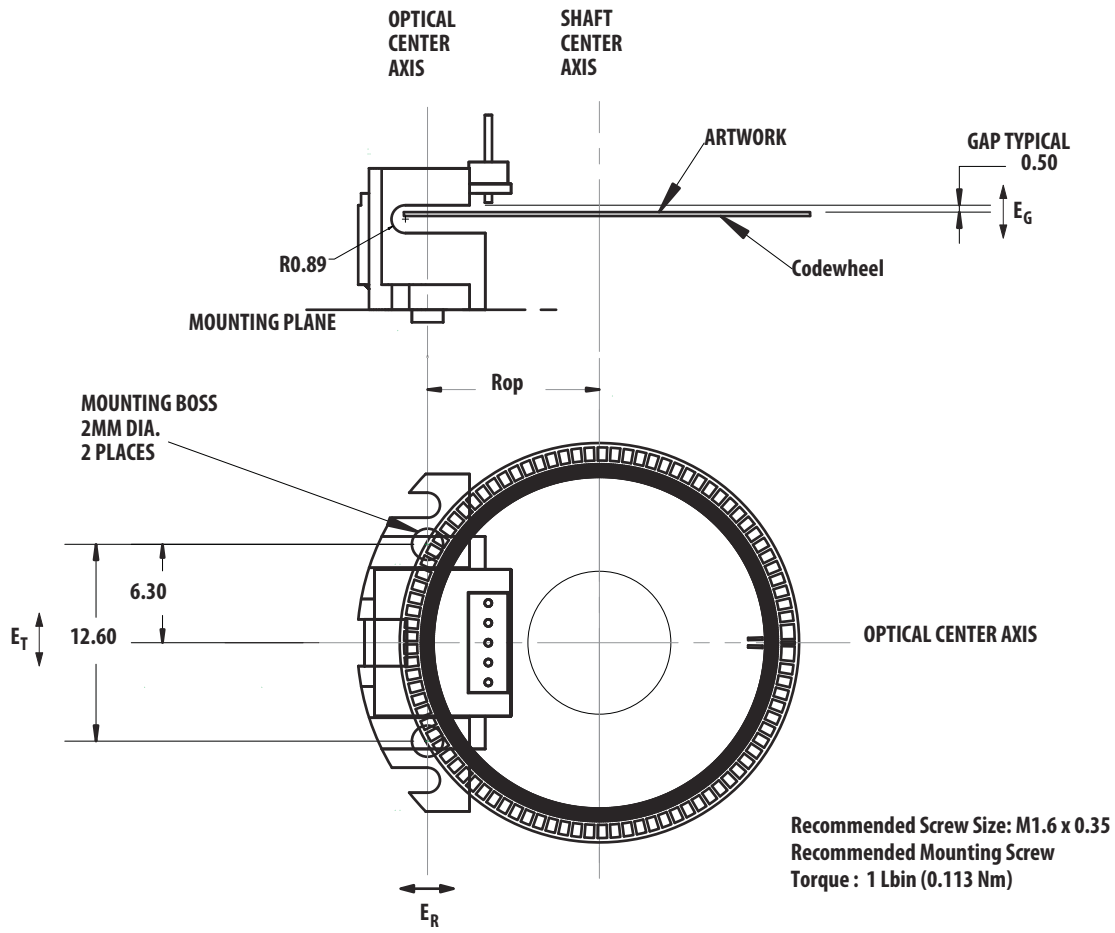
ROP = Encoder Optical Radius in mm

\* Recommended maximum codewheel diameter should not exceed 30mm.

Note: The customization of the codewheel method is valid from theoretical standpoint. However Avago strongly recommends a full characterization to be done to determine the actual performance of the encoder with customized codewheel.

Characterization means validating the encoding performance (consist of cycle error, pulse width error, logic state width error, phase error, position error & index pulse width, index channel rise and fall time over the recommended operating conditions and recommended mounting tolerances.

## Mounting Considerations

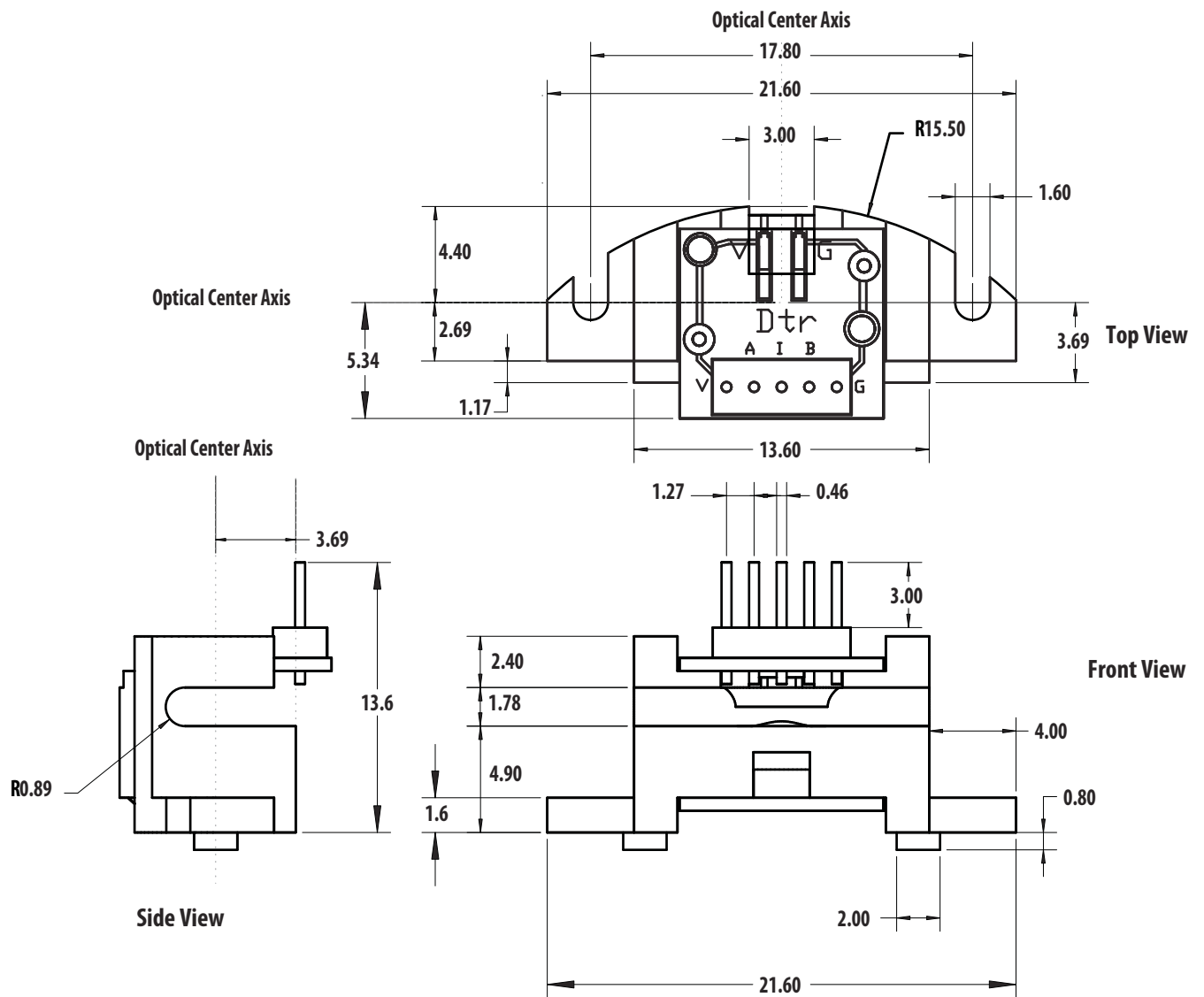


Note:

These dimensions include shaft endplay and codewheel warp. All dimension for mounting the module and codewheel should be measured with respect to two mounting boss, as shown above.

| Error            | $R_{op} = 11\text{mm}$ | Unit | Notes  |
|------------------|------------------------|------|--|
| $E_G$ Gap        | $\pm 0.20$             | mm   | Recommend to mount the codewheel closer to the detector side (upper side) for optimum encoder performance. |
| $E_R$ Radial     | $\pm 0.13$             | mm   |  |
| $E_T$ Tangential | $\pm 0.13$             | mm   |  |

# Package Dimension



TYPICAL DIMENSIONS IN MILLIMETERS