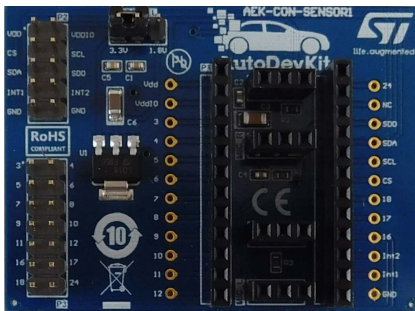


Connector board for SPC5 MCU discovery boards and MEMS sensor boards in DIL 24 socket



Features

- Connects the [AEK-MCU-C4MLIT1](#) MCU discovery board to the MEMS sensor boards in DIL 24 socket
- Supports several sensors: digital microphones, 2D and 3D accelerometers, inclinometers
- Hosts a 1.8 V LDO voltage regulator for MEMS board supply
- Compact size: 56 mm x 41 mm
- WEEE and RoHS compliant
- Included in the [AutoDevKit](#) initiative

Description

The [AEK-CON-SENSOR1](#) board is designed to interface MEMS sensor boards in DIL 24 socket to an SPC5 MCU discovery board like the [AEK-MCU-C4MLIT1](#) hosting a [SPC58EC80E5](#) Chorus family automotive MCU with 4 MB flash.

The connector board hosts a 1.8 V LDO voltage regulator for MEMS boards supply.

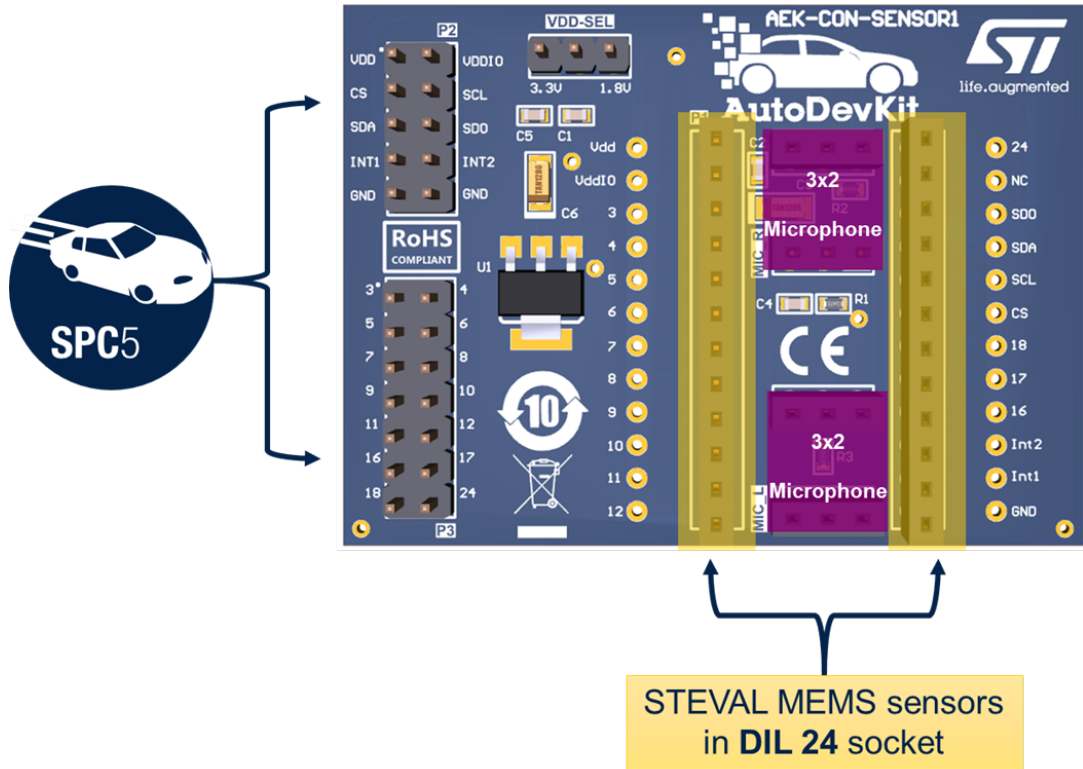
Two male strip connectors allow connecting the [AEK-MCU-C4MLIT1](#): the main one (5x2) is used for power supply, SPI interface and signal interrupt, whereas the second one (7x2) is used for optional GPIO connections depending on the plugged MEMS sensor board.

For the MEMS sensor board connection, three female strip connectors are used: the main one (12x2) hosts the MEMS sensors in DIL 24 socket, whereas the other two (3x2) host digital microphones.

Product summary	
Connector board for AEK-MCU-C4MLIT1 MCU discovery board and MEMS sensor boards in DIL 24 socket	AEK-CON-SENSOR1
MCU discovery board for SPC5 Chorus 4M automotive microcontroller with CAN transceivers	AEK-MCU-C4MLIT1
MEMS sensor boards in DIL 24 socket	STEVAL-MKI193V1/ STEVAL-MKI206V1/ STEVAL-MKI208V1K/ STEVAL-MKI209V1K/ STEVAL-MKI211V1K/ STEVAL-MIC006V1
AutoDevKit library plugin for SPC5-STUDIO	STSW-AUTODEVKIT
Applications	In-Vehicle Infotainment/ Electro-Mobility/ Telematics Box

1 Block diagram

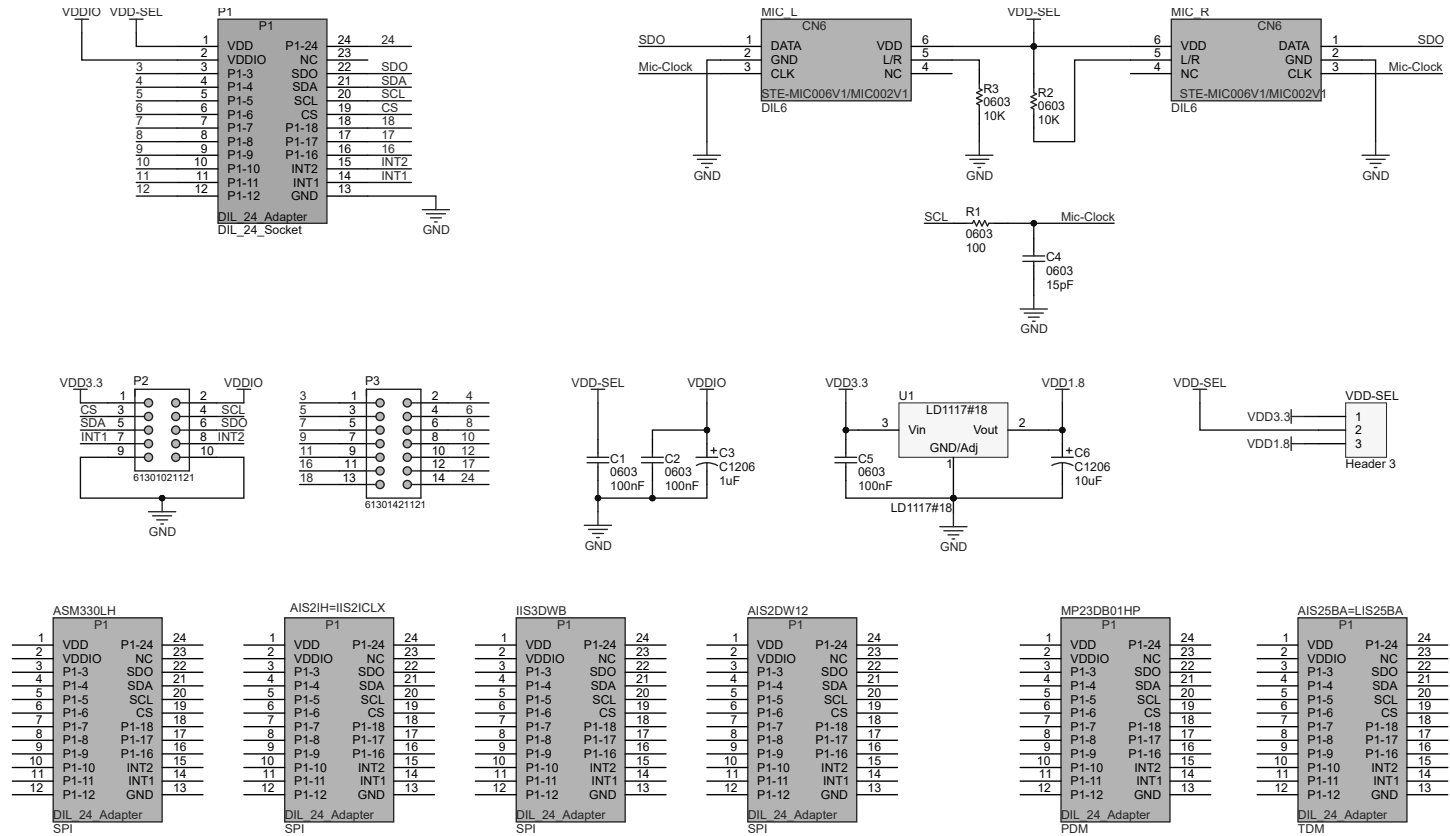
Figure 1. AEK-CON-SENSOR1 block diagram



2 Schematic diagram



Figure 2. AEK-CON-SENSOR1 circuit schematic



Revision history

Table 1. Document revision history

Date	Version	Changes
10-Feb-2021	1	Initial release.