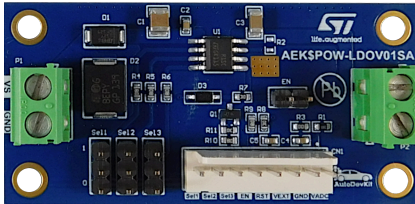


Automotive-grade LDO with configurable output voltage based on the L99VR01STR



Features

- Eight selectable fixed output voltages: (0.8, 1.2, 1.5, 1.8, 2.5, 2.8, 3.3, and 5 V) with up to 200 mA load current capability
- Enable pin
- Reset
- Fast output discharge

Description

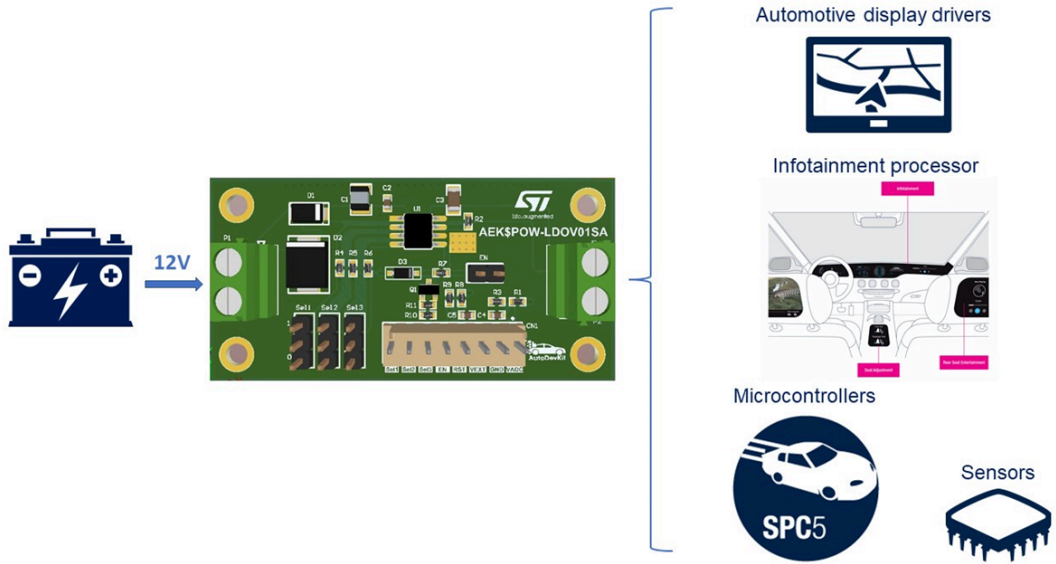
The **AEK-POW-LDOV01S** is an evaluation board based on the **L99VR01STR**. It can be used in several electronic applications such as microcontroller supplies, automotive display drivers, sensors, and infotainment processors.

Thanks to its thermal performance up to 150°C, the device is suitable for electronic applications with high temperature environments and for applications requiring stable power supplies.

Product summary	
Automotive-grade LDO with configurable output voltage and diagnostic features based on the L99VR01STR	AEK-POW-LDOV01S
Automotive linear voltage regulator with configurable output voltage and 200 mA current capability	L99VR01STR
AutoDevKit library plugin for SPC5-STUDIO	STSW-AUTODEVKIT
Code generator, quick resource configurator and Eclipse development environment for SPC5 MCUs	SPC5-Studio
Application	Power Distribution/ Digital Power

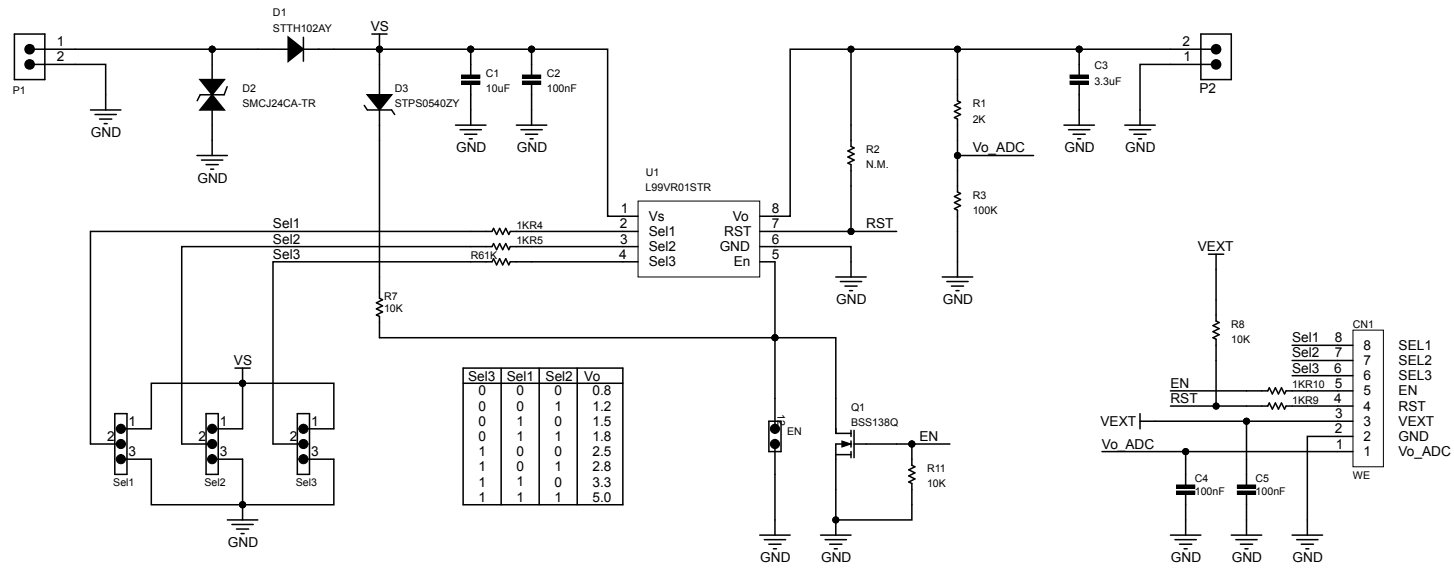
1 Block diagram

Figure 1. AEK-POW-LDOV01S block diagram



2 Schematic diagrams

Figure 2. AEK-POW-LDOV01S circuit schematic



3 Board versions

Table 1. AEK-POW-LDOV01S versions

PCB version	Schematic diagrams	Bill of materials
AEK\$POW-LDOV01SA ⁽¹⁾	AEK\$POW-LDOV01SA schematic diagrams	AEK\$POW-LDOV01SA bill of materials

1. This code identifies the AEK-POW-LDOV01S evaluation board first version. It is printed on the board PCB.

Revision history

Table 2. Document revision history

Date	Revision	Changes
26-Jul-2022	1	Initial release.