

LTE 4G/5G & Wi-Fi 6E Whip Antenna



AETC01M02X

Request Samples



Check Inventory



1610 x 20 mm

RoHS/RoHS II Compliant

MSL = N/A

Features

- Low Profile
- Supports 617 MHz to 7150MHz
- VSWR: ≤ 1.67
- Peak Gain: 5 dBi
- Efficiency: up to 80%
- SMA or RP-SMA connector

Applications

- Internet of Things (IoT) devices
- Bluetooth® /ZigBee® / Single-band WiFi/WLAN
- 2.4GHz Audio Applications
- Bluetooth AoA/AoD applications
- Smart Home and Smart Building

Product Image



LTE 4G/5G & Wi-Fi 6E Whip Antenna



AETC01M02X

Request Samples



Check Inventory



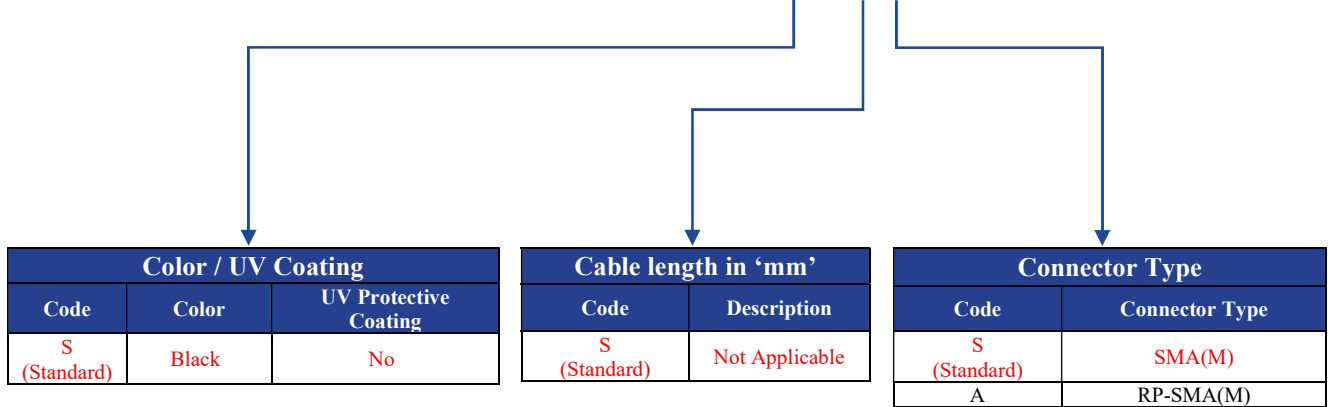
1610 x 20 mm

RoHS/RoHS II Compliant

MSL = N/A

Part Number Builder

AETC01M02X □ - □ □



Example Configurations:

Part Number	Color / UV Protective Coating	Cable length	Connector Type
AETC01M02XS-SS	Black / No	Not Applicable	SMA(M) (Standard)
AETC01M2XS-SA	Black / No	Not Applicable	RP-SMA(M)

Note:

- For the standard part number (AETC01M02XS-SS), please refer to the packaging at the end of the document.
- For custom configurations (AETC01M02X□-□□), MOQs, pricing and packaging changes may apply.

LTE 4G/5G & Wi-Fi 6E Whip Antenna



AETC01M02X

Request Samples



Check Inventory



1610 x 20 mm

RoHS/RoHS II Compliant

MSL = N/A

Electrical Specification

Parameter	Specification			Unit	Notes
	Min	Typ	Max		
Operating Frequency	617		960	MHz	
	1452		2690		
	3300		5850		
	5850		7150		
VSWR		2.5			617 – 960 MHz
		2.0			1452 – 2690 MHz
		2.0			3300 – 5850 MHz
		2.5			5150 – 7150 MHz
Gain	(617-960 MHz)	1		dBi	
	(1452-2690 MHz)	4			
	(3300-5850 MHz)	3			
	(5850-7150 MHz)	3			
Impedance		50		Ω	
Polarization	Vertical				
Radiation Pattern (Azimuth)	Omni-directional				

Mechanical Specification

Parameter	Specification
Dimensions	1610 x 20 mm
Material	ABS
Color	Black
Antenna Type	Whip
RF Connector	SMA Plug
Weight	30 g

Environmental Specification

Parameter	Specification
Operating Temperature	-30°C to +70°C
Storage Temperature	-40°C to +85°C
ROHS Complaint	Yes
MSL	N/A



5101 Hidden Creek Ln Spicewood TX 78669
 Phone: 512-371-6159 | Fax: 512-351-8858
 For terms and conditions of sales, please visit:
www.abracon.com

REVISED: 12-14-22

ABRACON IS
 ISO9001-2015
 CERTIFIED

LTE 4G/5G & Wi-Fi 6E Whip Antenna



AETC01M02X

Request Samples



Check Inventory

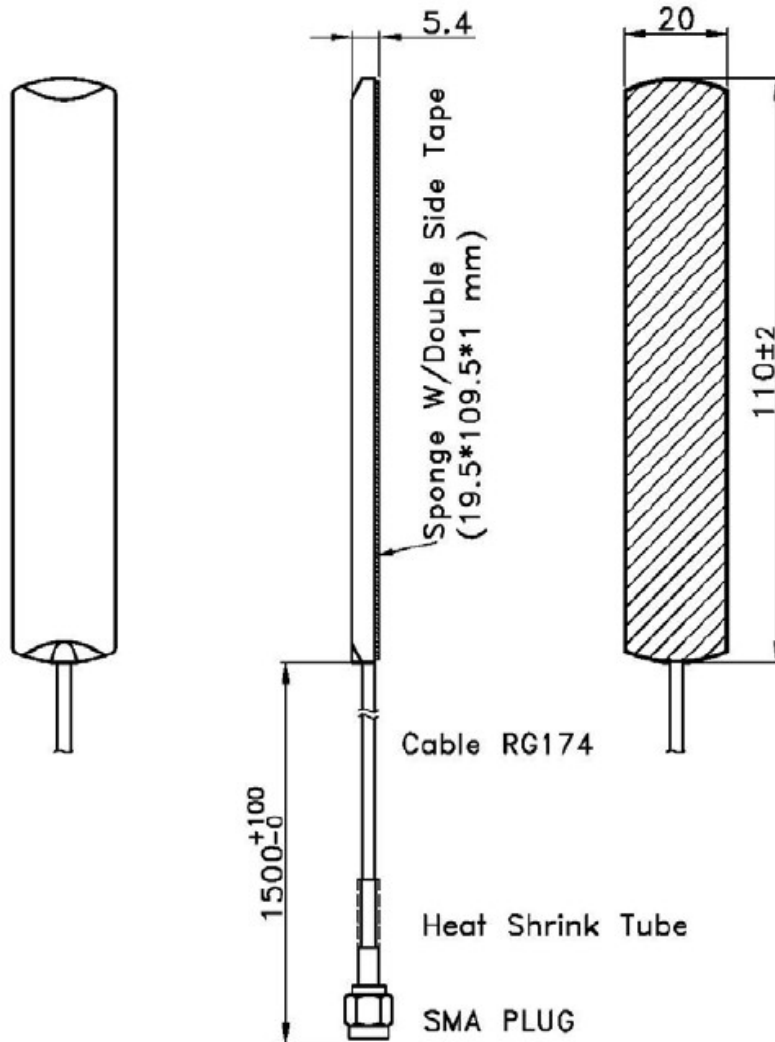


1610 x 20 mm

RoHS/RoHS II Compliant

MSL = N/A

Product Dimension



Unit : mm



5101 Hidden Creek Ln Spicewood TX 78669
Phone: 512-371-6159 | Fax: 512-351-8858
For terms and conditions of sales, please visit:
www.abracon.com

REVISED: 12-14-22

ABRACON IS
ISO9001-2015
CERTIFIED

LTE 4G/5G & Wi-Fi 6E Whip Antenna



AETC01M02X

Request Samples

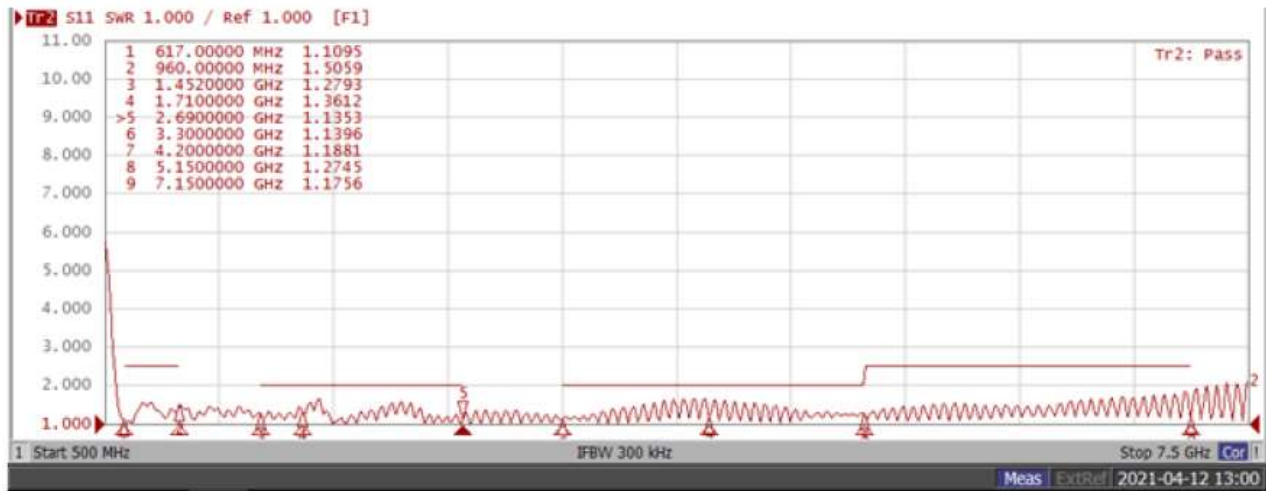


Check Inventory



1610 x 20 mm
RoHS/RoHS II Compliant
MSL = N/A

VSWR Measurement



LTE 4G/5G & Wi-Fi 6E Whip Antenna



AETC01M02X

Request Samples

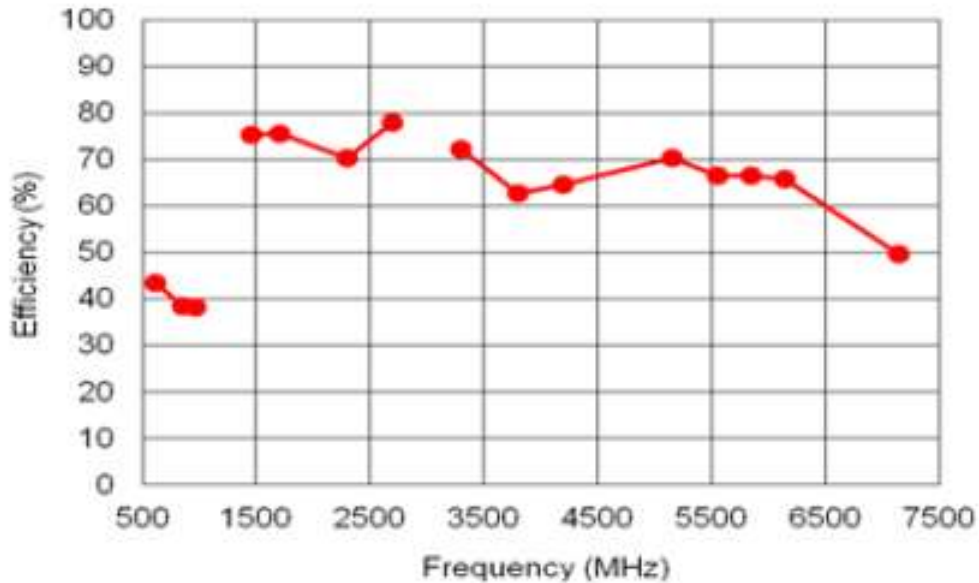
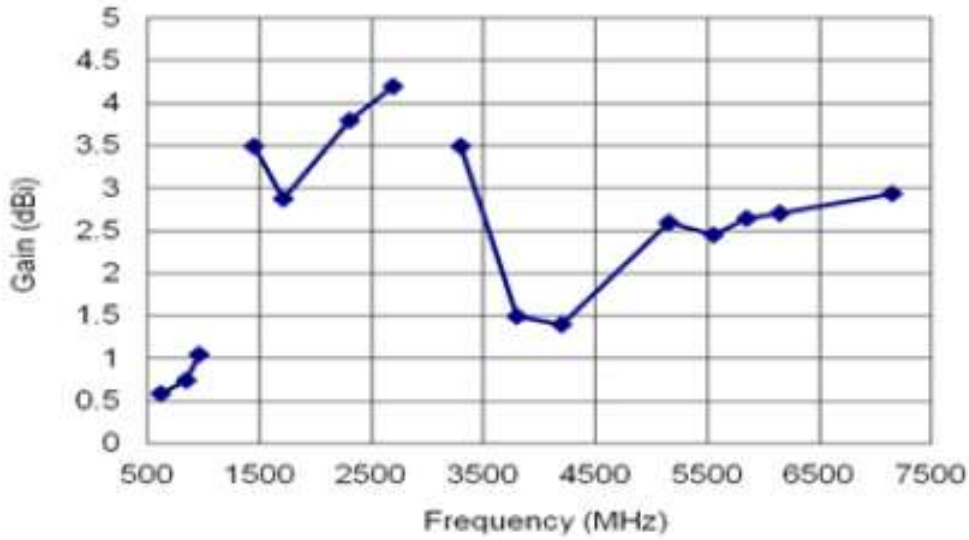


Check Inventory



1610 x 20 mm
RoHS/RoHS II Compliant
MSL = N/A

Gain and Efficiency



LTE 4G/5G & Wi-Fi 6E Whip Antenna



AETC01M02X

Request Samples



Check Inventory



1610 x 20 mm

RoHS/RoHS II Compliant

MSL = N/A

Frequency (MHz)	617	850	960	1452	1710	2300	2690
Gain (dBi)	0.59	0.75	1.05	3.5	2.88	3.8	4.2
Efficiency (%)	43.5	38.5	38.2	75.2	75.6	70.2	77.9

Frequency (MHz)	3300	3800	4200	5150	5550	5850	6150	7150
Gain (dBi)	3.5	1.5	1.4	2.6	2.45	2.65	2.71	2.94
Efficiency (%)	72.2	62.6	64.5	70.2	66.5	66.4	65.8	49.6