

LTE 4G/5G & Wi-Fi 6E Whip Antenna



AETC1302X

Request Samples



Check Inventory



135.5 x 21.3 mm
RoHS Compliant
MSL = N/A

Features

- Low Profile
- Supports 617 MHz to 7150MHz
- VSWR: ≤ 1.67
- Peak Gain: 5 dBi
- Efficiency: up to 80%
- SMA or RP-SMA connector

Applications

- Internet of Things (IoT) devices
- Bluetooth® /ZigBee® / Single-band WiFi/WLAN
- 2.4GHz Audio Applications
- Bluetooth AoA/AoD applications
- Smart Home and Smart Building

Product Image



LTE 4G/5G & Wi-Fi 6E Whip Antenna



AETC1302X

Request Samples



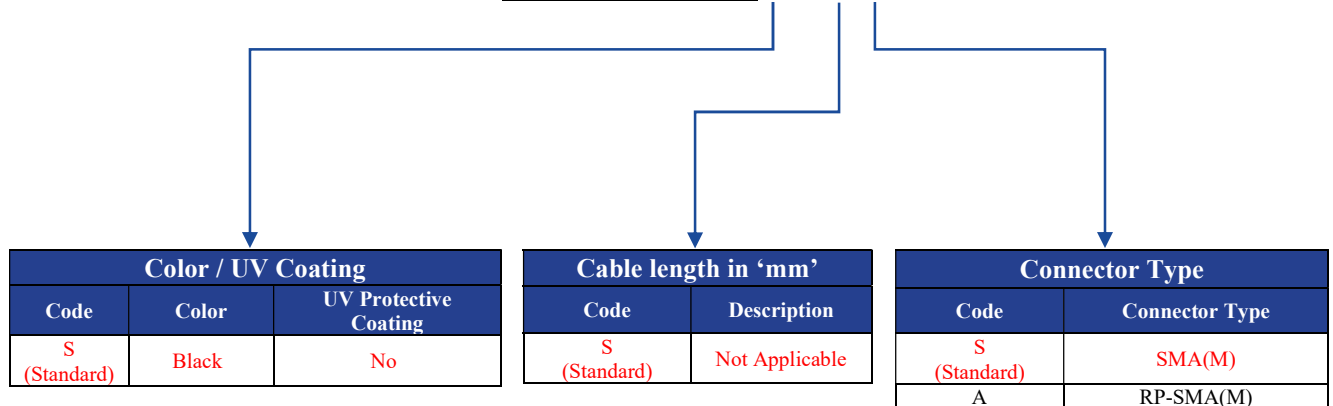
Check Inventory



135.5 x 21.3 mm
RoHS Compliant
 MSL = N/A

Part Number Builder

AETC1302X □ - □ □



Example Configurations:

| Part Number | Color / UV Protective Coating | Cable length | Connector Type |
|---------------|-------------------------------|----------------|----------------------|
| AETC1302XS-SS | Black / No | Not Applicable | SMA(M) (Standard) |
| AETC1302XS-SA | Black / No | Not Applicable | RP-SMA(M) |

Note:

- For the standard part number (AETC1302XS-SS), please refer to the packaging at the end of the document.
- For custom configurations (AETC1302X□-□□), MOQs, pricing and packaging changes may apply.

LTE 4G/5G & Wi-Fi 6E Whip Antenna



AETC1302X

Request Samples



Check Inventory



135.5 x 21.3 mm
RoHS Compliant
 MSL = N/A

Electrical Specification

| Parameter | Specification | | | Unit |
|-----------------------------|---------------------|-----|----------|---------------------|
| | Min | Typ | Max | |
| Operating Frequency | 617 | | 960 | MHz |
| | 1710 | | 2690 | |
| | 1452 | | 1575.412 | |
| | 3300 | | 4200 | |
| | 4400 | | 5000 | |
| | 5150 | | 7150 | |
| VSWR | 617 | 3.0 | 960 | 617 – 960 MHz |
| | 1710 | 3.0 | 2690 | 1710 – 2690 MHz |
| | 1452 | 2.5 | 1575.412 | 1452 – 1575.412 MHz |
| | 3300 | 2.5 | 4200 | 3300 – 4200 MHz |
| | 4400 | 2.5 | 5000 | 4400 – 5000 MHz |
| | 5150 | 3.0 | 7150 | 5110 – 7150 MHz |
| Gain | (617-960 MHz) | | 1 | dBi |
| | (1452-1575.412 MHz) | | 2 | |
| | (1710-2690 MHz) | | 2 | |
| | (3300-4200 MHz) | | 2 | |
| | (4400-5000 MHz) | | 2 | |
| | (5150-7150 MHz) | | 2 | |
| Impedance | | 50 | | Ω |
| Polarization | Vertical | | | |
| Radiation Pattern (Azimuth) | Omni-directional | | | |

Mechanical Specification

| Parameter | Specification |
|--------------|-----------------|
| Dimensions | 135.5 x 21.3 mm |
| Material | PC/PBT |
| Antenna Type | Whip |
| RF Connector | SMA |

Environmental Specification

| Parameter | Specification |
|-----------------------|----------------|
| Operating Temperature | -20°C to +65°C |
| Storage Temperature | -30°C to +70°C |
| ROHS Complaint | Yes |
| MSL | N/A |



5101 Hidden Creek Ln Spicewood TX 78669
 Phone: 512-371-6159 | Fax: 512-351-8858
 For terms and conditions of sales, please visit:
www.abracon.com

REVISED: 12-14-22

ABRACON IS
 ISO9001-2015
 CERTIFIED

LTE 4G/5G & Wi-Fi 6E Whip Antenna



AETC1302X

Request Samples

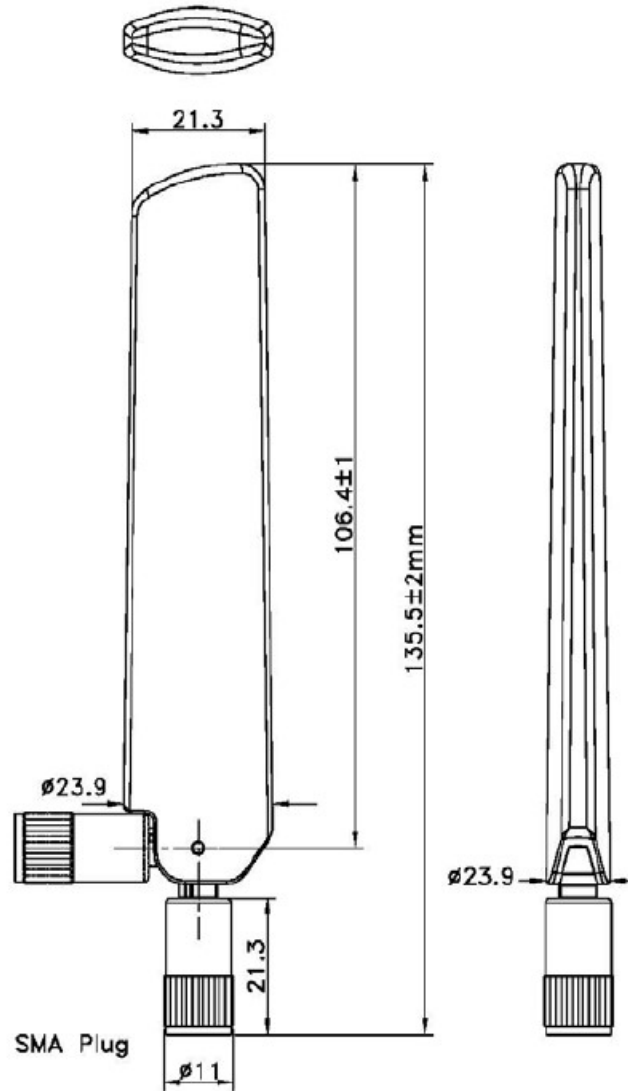


Check Inventory



135.5 x 21.3 mm
RoHS Compliant
MSL = N/A

Product Dimension



Unit : mm

LTE 4G/5G & Wi-Fi 6E Whip Antenna



AETC1302X

Request Samples

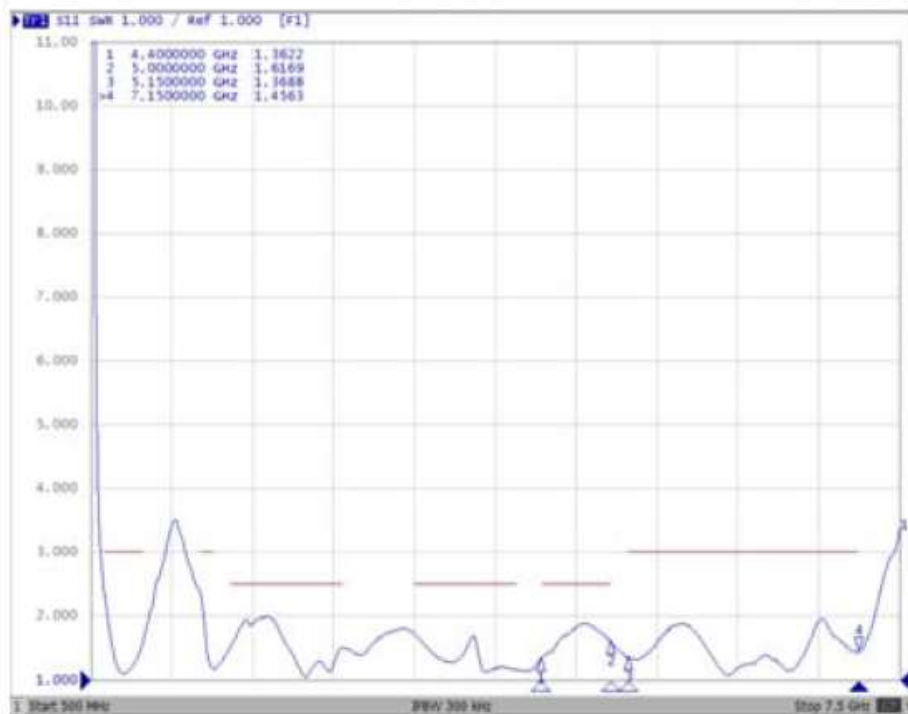
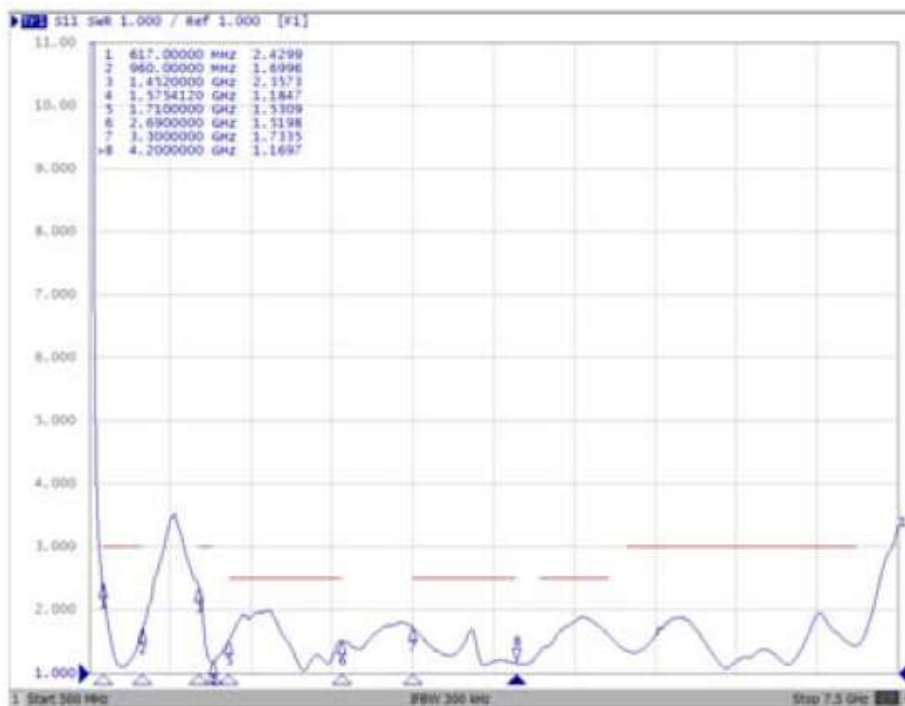


Check Inventory



135.5 x 21.3 mm
RoHS Compliant
MSL = N/A

VSWR Measurement



LTE 4G/5G & Wi-Fi 6E Whip Antenna



AETC1302X

Request Samples

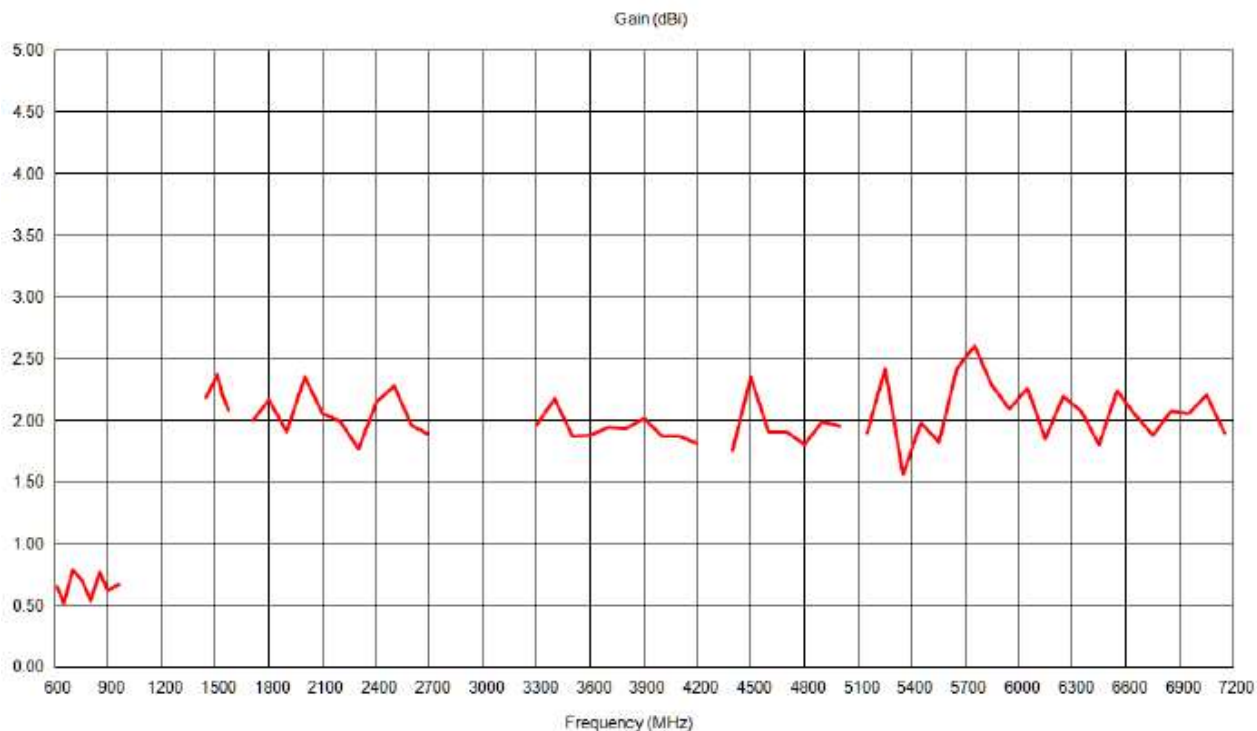


Check Inventory



135.5 x 21.3 mm
RoHS Compliant
MSL = N/A

Gain and Efficiency



LTE 4G/5G & Wi-Fi 6E Whip Antenna



AETC1302X

Request Samples



Check Inventory



135.5 x 21.3 mm
RoHS Compliant
 MSL = N/A

| | | | | | | | | | | | | |
|-----------------|-------|-------|-------|-------|-------|-------|-------|-------|-------|-------|-------|----------|
| Frequency (MHz) | 617 | 650 | 700 | 750 | 800 | 850 | 900 | 960 | 1452 | 1511 | 1545 | 1575.412 |
| Gain(dBi) | 0.65 | 0.51 | 0.79 | 0.71 | 0.53 | 0.77 | 0.62 | 0.67 | 2.19 | 2.37 | 2.19 | 2.09 |
| Efficiency (%) | 47.97 | 48.10 | 49.96 | 48.81 | 49.66 | 48.92 | 49.72 | 50.50 | 59.73 | 61.16 | 63.05 | 64.51 |

| | | | | | | | | | | | |
|-----------------|-------|-------|-------|-------|-------|-------|-------|-------|-------|-------|-------|
| Frequency (MHz) | 1710 | 1800 | 1900 | 2000 | 2100 | 2200 | 2300 | 2400 | 2500 | 2600 | 2690 |
| Gain(dBi) | 2.00 | 2.17 | 1.90 | 2.35 | 2.06 | 1.99 | 1.76 | 2.15 | 2.28 | 1.96 | 1.89 |
| Efficiency (%) | 62.22 | 62.72 | 62.33 | 58.18 | 62.37 | 60.12 | 61.97 | 59.67 | 60.01 | 62.17 | 61.56 |

| | | | | | | | | | | |
|-----------------|-------|-------|-------|-------|-------|-------|-------|-------|-------|-------|
| Frequency (MHz) | 3300 | 3400 | 3500 | 3600 | 3700 | 3800 | 3900 | 4000 | 4100 | 4200 |
| Gain(dBi) | 1.96 | 2.18 | 1.87 | 1.87 | 1.94 | 1.93 | 2.02 | 1.87 | 1.86 | 1.81 |
| Efficiency (%) | 60.47 | 64.73 | 60.31 | 60.36 | 62.71 | 60.33 | 61.80 | 60.86 | 62.94 | 62.04 |

| | | | | | | | |
|-----------------|-------|-------|-------|-------|-------|-------|-------|
| Frequency (MHz) | 4400 | 4500 | 4600 | 4700 | 4800 | 4900 | 5000 |
| Gain(dBi) | 1.76 | 2.35 | 1.91 | 1.91 | 1.8 | 1.99 | 1.95 |
| Efficiency (%) | 58.96 | 60.24 | 61.42 | 61.26 | 58.85 | 61.49 | 55.72 |

| | | | | | | | | | | | |
|-----------------|-------|-------|-------|-------|-------|-------|-------|-------|-------|-------|-------|
| Frequency (MHz) | 5150 | 5250 | 5350 | 5450 | 5550 | 5650 | 5750 | 5850 | 5950 | 6050 | 6150 |
| Gain(dBi) | 1.89 | 2.42 | 1.56 | 1.98 | 1.83 | 2.42 | 2.60 | 2.29 | 2.09 | 2.26 | 1.85 |
| Efficiency (%) | 55.86 | 53.09 | 55.88 | 51.01 | 54.17 | 53.08 | 50.78 | 52.99 | 56.65 | 51.60 | 52.90 |

| | | | | | | | | | | |
|-----------------|-------|-------|-------|-------|-------|-------|-------|-------|-------|-------|
| Frequency (MHz) | 6250 | 6350 | 6450 | 6550 | 6650 | 6750 | 6850 | 6950 | 7050 | 7150 |
| Gain(dBi) | 2.20 | 2.08 | 1.80 | 2.24 | 2.05 | 1.88 | 2.08 | 2.05 | 2.21 | 1.90 |
| Efficiency (%) | 52.53 | 51.03 | 50.83 | 56.10 | 49.09 | 52.50 | 60.29 | 54.99 | 51.57 | 55.60 |



5101 Hidden Creek Ln Spicewood TX 78669
 Phone: 512-371-6159 | Fax: 512-351-8858
 For terms and conditions of sales, please visit:
www.abracon.com

REVISED: 12-14-22

ABRACON IS
 ISO9001-2015
 CERTIFIED