

AFL3-W10A-BT

Intel® Celeron® J1900 (Quad Core, 2.0 GHz)

AFL3-12A-BT

Intel® Celeron® J1900 (Quad Core, 2.0 GHz)

AFL3-12C-ULT3

Intel® Core™ i5 and Celeron® ULT Processor



Features

- W10"~12.1" light industrial interactive panel PC
- Wide range DC input with lockable DC jack
- Selectable AT/ATX power mode
- Built-in speakers
- One mSATA slot
- IP64 compliant front panel
- IEI One Key Recovery solution allows you to create rapid OS backup and recovery (suggested with over 4GB storage capacity)



Specifications

Model		AFL3-W10A-BT	AFL3-12A-BT	AFL3-12C-ULT3
LCD	Size	10.1"	12.1"	12.1"
	Resolution	1280 x 800 (16:10)	1024 x 768 (4:3)	1024 x 768 (4:3)
	Brightness (cd/m ²)	350	500	500
	Contrast Ratio	800:1	700:1	700:1
	LCD Color	16.2M	16.2M	16.2M
	Pixel Pitch (mm)	0.1695 (H) x 0.1695 (V)	0.240 (H) x 0.240 (V)	0.240 (H) x 0.240 (V)
	Viewing Angle (H-V)	170° / 170°	160° / 160°	160° / 160°
	Backlight MTBF(hrs)	15000 hrs	50000 hrs	50000 hrs
Touch	Touch Screen	Projected capacitive with USB interface (anti-UV / anti-glare coating)	5-wire resistive with RS-232 interface (anti-glare coating) Projected capacitive with USB interface (anti-UV / anti-glare coating)	Projected capacitive with USB interface (anti-UV / anti-glare coating)
	Touch Controller	EETI EXC3146	PenMount DMC9000/ EETI EXC3146	EETI EXC3180
Motherboard	CPU	Intel® Celeron® J1900 (quad core, 2.0 GHz)	Intel® Celeron® J1900 (quad core, 2.0 GHz)	6th Generation Intel® Core™ i5 on-board processor
	RAM	One 204-pin 2 GB 1333MHz single-channel, 2GB DDR3L SO-DIMM pre-installed (system max. 8GB)	One 204-pin 2 GB 1333MHz single-channel, 2GB DDR3L SO-DIMM pre-installed (system max. 8GB)	One 260-pin 2133MHz single-channel, 4GB DDR4 SO-DIMM pre-installed (system max. 8GB)
	Ethernet	2 x PCIe GbE by RTL8111HN-CG controller	2 x PCIe GbE by RTL8111HN-CG controller	2 x PCIe GbE by Intel® i211 controller
	Audio Codec	ALC888S		
Storage	1 x mSATA	1 x mSATA (E-Window) 1 x 2.5" SATA 3Gb/s HDD bay	1 x mSATA (E-Window) 1 x 2.5" SATA 3Gb/s HDD bay	
I/O Ports & Switch	1 x RS-232 COM port (RJ-45 connector) 1 x RS-232/422/485 COM port (DB-9 connector) (RI/5V/12V) 2 x USB 3.2 Gen 1 (5Gb/s) 2 x USB 2.0 2 x RJ-45 for GbE LAN 1 x Power switch 1 x Audio port (line-out) 1 x Reset button 1 x AT/ATX switch 1 x 9-30V DC lockable power jack		1 x RS-232 COM port (RJ-45 connector) 1 x RS-232/422/485 COM port (DB-9 connector)(RI/5V/12V) 2 x USB 3.2 Gen 1 (5Gb/s) 2 x USB 2.0 2 x RJ-45 for GbE LAN 1 x Power switch 1 x Audio port (line-out) 1 x Reset button 1 x AT/ATX switch 1 x 9-30V lockable power jack	1 x RS-232/422/485 (DB-9) 1 x RS232 (RJ-45) 2 x GbE LAN 2 x USB 2.0 2 x USB 3.2 Gen 1 (5Gb/s) 1 x DC jack (12-30V DC) 1 x HDMI 1 x Power switch 1 x Reset button 1 x AT/ATX switch
	E-Window Expansion	N/A	Yes, optional (full-size mini-PCIe slot with PCIe or SATA / USB signal)	Yes, optional (full-size mini-PCIe slot with PCIe or SATA / USB signal)
Audio	AMP 2W + 2W (internal speaker)	AMP 3W + 3W (internal speaker)	AMP 3W + 3W (internal speaker)	
Camera and Microphone	2-megapixel with low light function, digital microphone			
Wireless	IEEE 802.11 a/b/g/n/ac / Bluetooth 4.2 half-size mini-PCIe slot (PCIe / USB signal)	IEEE 802.11 a/b/g/n/ac half-size mini-PCIe slot (PCIe signal)	IEEE 802.11 a/b/g/n/ac, Bluetooth V4.1 M.2 slot A+E key 2230 slot (PCIe/USB signal)	
OSD Function	Software OSD			
Physical	Front Panel Construction	PC + ABS Plastic		
	Mounting	Panel, Wall, Stand, Arm VESA 75mm x 75mm	Panel, Wall, Rack, Stand and Arm VESA 75mm x 75mm / 100mm x 100mm	Panel, Wall, Stand and Arm VESA 75mm x 75mm / VESA 100mm x 100mm
	Color	Black C		
	Dimensions (WxHxD) (mm)	262 x 181 x 42	304 x 243 x 44	304 x 243 x 58
	Cut-out Dimensions (WxH) (mm)	236 x 149	243 x 205	272 x 223
Environment	Net/Gross Weight (kgs)	1.06/2.58	1.92/3.95	3/5.03
	Operating Temperature (Ambient with air flow)	-10°C~50°C	-20°C~50°C	-20°C ~ 50°C
	Storage Temperature	-20°C~60°C	-20°C~60°C	-30°C ~ 60°C
	Humidity	10% to 95% (non-condensing)		
	IP Level	IP 64 compliant front panel		
	Safety&EMC	CE / FCC		
	Thermal Solution	Fanless		
Power	Power Requirement	9 V ~ 30 V DC		12 V ~ 30 V DC
	Power Consumption	12V@2.3A (Intel® J1900 CPU with 2GB 1333 MHz DDR3L memory)	12V@3.58A (Intel® J1900 CPU with 2GB 1333 MHz DDR3L memory)	12V@6A (Intel® Core™ i5-6300U CPU with 4GB DDR4 2133 MHz DDR4 memory)

Ordering Information

Part No.	Description
AFL3-W10A-BT-J1/PC/2G-R14	10.1" 350cd/m ² 1280x800 fanless panel PC with Intel® Celeron® J1900 quad core 2 GHz, 802.11 a/b/g/n/ac wireless module, projected capacitive touch screen, 2GB DDR3L RAM , with AG, 2-megapixel camera, microphone, R14
AFL3-12A-BT-J1/PC/2G-R15	12.1" 500 cd/m ² XGA fanless panel PC with Intel® Celeron® J1900 quad core 2 GHz, 802.11a/b/g/n/ac wireless module, projected capacitive touch screen, 2GB DDR3L RAM , with AG, 2-megapixel camera, microphone, R15
AFL3-12A-BT-J1/R/2G-R15	12.1" 500 cd/m ² XGA fanless panel PC with Intel® Celeron® J1900 quad core 2 GHz, 802.11a/b/g/n/ac wireless module, resistive touch screen, 2GB DDR3L RAM , with AG, 2-megapixel camera, microphone, R15
AFL3-12A-BT-J1/PC/4G-R15	12.1" 500 cd/m ² XGA fanless panel PC with Intel® Celeron® J1900 quad core 2 GHz, 802.11a/b/g/n/ac wireless module, projected capacitive touch screen, 4GB DDR3L RAM , with AG, R15
AFL3-12A-BT-J1/R/4G-R15	12.1" 500 cd/m ² XGA fanless panel PC with Intel® Celeron® J1900 quad core 2 GHz, 802.11a/b/g/n/ac wireless module, resistive touch screen, 4GB DDR3L RAM , with AG, R15
AFL3-12C-ULT3-i5/PC/4G-R11	12.1" 500 cd/m ² 1024 x 768 panel PC with 6th generation 14nm Intel® mobile Core™ i5-6300U (15W) on-board processor (ULT), one 4GB DDR4 RAM, 802.11a/b/g/n/ac Wi-Fi module, PCAP touch, 2-megapixel camera, microphone, R11

Options

Item	AFL3-W10A-BT	AFL3-12A-BT	AFL3-12C-ULT3
Panel Mounting Kit		AFL3PK-08A-R10	
Wall Mounting Kit	AFLWK-12	AFLWK-19B	AFLWK-19B
Rack Mounting Kit	AFL3RK-W10A-R10	AFL3RK-12A-R10	AFL3RK-12A-R10
Arm		ARM-11-RS/ARM-31-RS	
Stand	STAND-C12-R10	STAND-A12-RS/STAND-C12-R10/ STAND-100-RS	STAND-A12-RS/STAND-C12-R10/ STAND-100-RS
V-Stand	VSTAND-A10-R11	VSTAND-A12-R11	VSTAND-A12-R11
Magnetic Card Reader		AFL3P-W10MSR-U-R10	
Barcode Scanner		AFL3-2D-R11	
RFID Reader **(13.56 MHz Mifare Type) for ATO assembly	AFL3-MF-RFID-KIT02-R10	AFL3-MF-RFID-KIT02-R10**	AFL3-MF-RFID-KIT02-R10
OS: Win 7 Embedded (64-bit)	AFL3-W07A-BT-WES7P64-R12 (for PCAP touch)	AFL3-W07A-BT-WES7P64-R12* (for PCAP touch) AFL3-W07A-BT-WES7E64-R12* (for Resistive touch)	AFL3-12C-ULT3-WES7P64-R10* (for PCAP touch) AFL3-12C-ULT3-WES7E64-R10* (for Resistive touch)
*OS: Win 10 IOT Enterprise		AFL3-W07A-BT-W10E64-E-R12	AFL3-12C-ULT3-W10E64-V-R10

**RFID is supported from AFL3-xxA-BT R11 version

*OS image with CD-ROM without storage

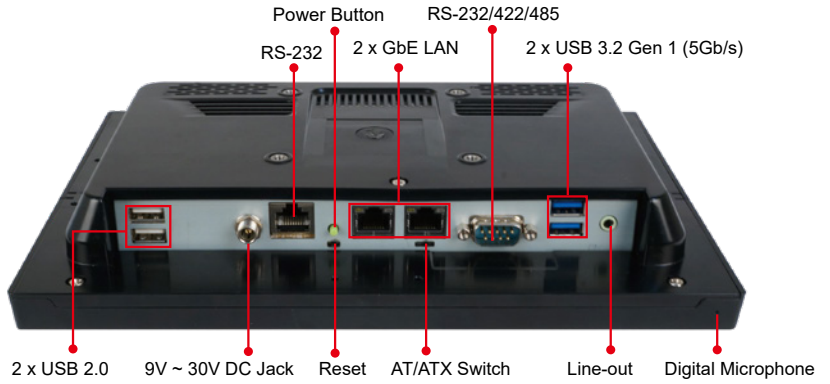
E-Window (for ATO assembly)

Part No.	Description	Supported Model
E-MPCIE-LAN-R10	PCIe Mini card supports 1-port GbE with Realtek RTL8111HN-CG controller, with PMS 194C I/O bracket and 250mm cable, R10	AFL3-12A-BT-J1/PC/2G-R14 AFL3-12A-BT-J1/R/2G-R14 AFL3-12C-ULT3-i5/PC/4G-R10
E-MPCIE-DLAN-R10	PCIe Mini card supports 2-port GbE with Intel I211 controller, with PMS 194C I/O bracket and 250mm cable, R10	
E-MPCIE-3G-R10	PCIe Mini card supports 3G WWAN, with PMS 130C I/O bracket, 300mm RF antenna cable and GSM antenna cable, R10	

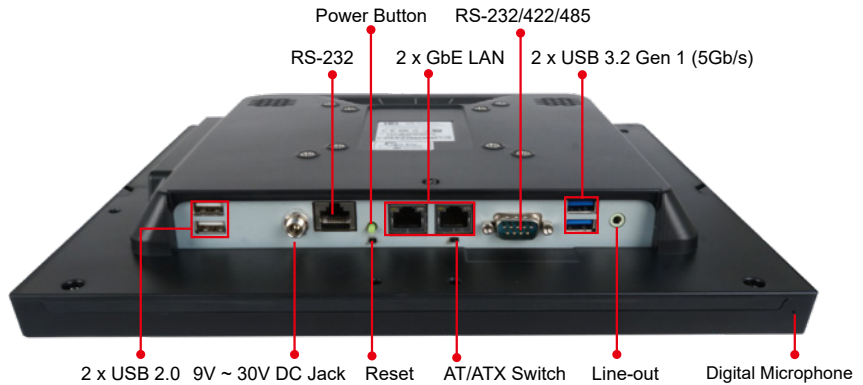
Packing List

Item	Part No.	Q'ty	Remark
Round head machine screw	44003-020041-RS (12A-BT)	2	M2*4 round head machine screw
Pan head machine screw	44403-040061-RS	4	M4*6 pan head machine screw
Fix holder	46003-009500-RS	2	
Power adapter	63040-010036-210-RS (AFL3-W10A-BT) 63040-010060-120-RS (AFL3-12A-BT)	1	36W; Vin: 90V~264V AC; Vout: 12VDC 60W; Vin: 90V~264V AC; Vout: 12VDC
	63040-010096-110-RS (AFL3-12C-ULT3)		96W; Vin: 90V~264V AC; Vout: 12VDC 96W; Vin: 90V~264V AC; Vout: 12VDC
RJ-45 to DB-9 COM port transfer cable	32005-004600-100-RS	1	300mm, 26AWG, (A) D-SUB 9 male, (B) RJ-45

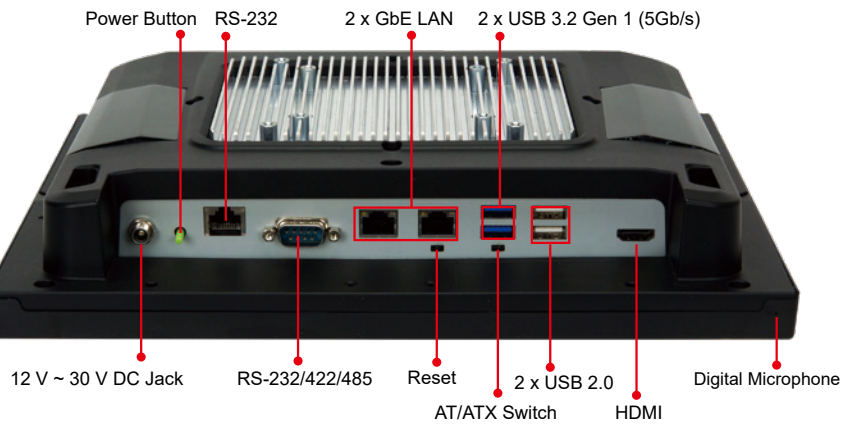
AFL3-W10A-BT
Fully Integrated I/O



AFL3-12A-BT
Fully Integrated I/O



AFL3-12C-ULT3
Fully Integrated I/O



AFL3PK-08A-R10
Panel Mounting Kit Dimensions (Unit: mm)

