

NEMA 4X 30A and 60A motor control disconnects



Catalog symbols:

- AHDS30_-BUSS
- AHDS60_-BUSS

Description:

The Bussmann® series non-fused 30 and 60 amp disconnect switches are suitable for use as a motor disconnect per NEC® 430.102(B) and 430.109(A)(6). These NEMA 4X switches are made from VALOX™ resin, and are a flexible and economical solution to 3-phase power switching applications. Ideal for washdowns and corrosive environments, they feature a lockout/tagout capability to meet OSHA requirements. Suitable for use with metallic conduit, they are available with auxiliary contacts for a variety of control circuit applications.

Specifications:

Ratings

- Volts
 - 600Vac max
- Amps
 - 30A and 60A
- Short-Circuit Current Rating (SCCR)*:
 - 10kA RMS symmetrical with Class RK1 fuse
 - 65kA RMS symmetrical with Class J fuse**

Agency information

- cULus to UL® 60947-1 and 60947-14, File E135083
- National Sanitation Foundation (NSF®) Listed per NSF 3-A 14159-1 standard
- NOM 426
- RoHS compliant

Features:

- VALOX thermoplastic enclosure provides high impact strength and excellent corrosion resistance
- Adjustable mounting feet for flexible positioning options: flush mount or 1/4" offset (for easy washdown behind the enclosure)
- High-visibility red handle can be padlocked to meet OSHA lockout/ tagout requirements
- One piece gasket provides superior watertight protection and easy cleaning
- Integrated grounding plate and DIN-Rail switch mounting allows automatic grounding for easier installation
- Optional auxiliary contacts provide flexibility for PLC and VFD applications
- Heavy-duty industrial switches designed for long life

* Break all lines.

** Not applicable for 1Ø 120 and 277Vac applications.



Powering Business Worldwide

Enclosure

- NEMA 4X (provides 4, 12 and IP67 protection)

Flammability rating

- UL 94 5VA2

Temperature rating*

- Max continuous +60°C (+140°F)
- Min continuous (without impact) -50°C (-58°F)

Horsepower rated

- See catalog numbers table

Poles

- 3-poles

Conductors

- #10 to #14 AWG, solid or stranded 75°C Cu

UV resistance

- Enclosure materials are UV stabilized

Dielectric voltage

- 2.2kA AC minimum

Mechanical

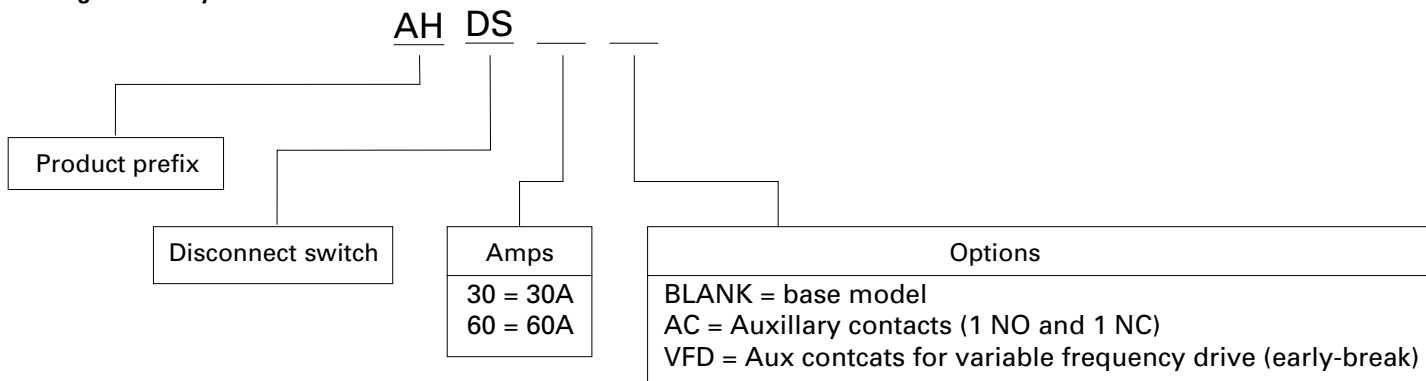
- Impact resistance per UL 746C
- Mechanical life
 - 10,000 cycles minimum
- Terminal identification per UL and CSA®
- Product identification and ratings are part of internal and external label
- Mounting
 - External adjustable feet with 0, 45 and 90 degree positions

Materials

- Enclosure
 - Top cover, base and mounting feet: VALOX resin
 - Cover screws: captive phil-slot 300 series stainless steel mating with threaded brass inserts
 - Mounting feet screws: 300 series stainless steel
- Handle
 - Handle and handle shaft: VALOX resin
 - Handle seal: neoprene
 - Handle screw: tamper resistant 300 series stainless steel
- Grounding
 - Grounding plate: galvanized steel
 - Assembly screws: 300 series stainless steel

* When used with 75°C Cu wire only.

Catalog number system

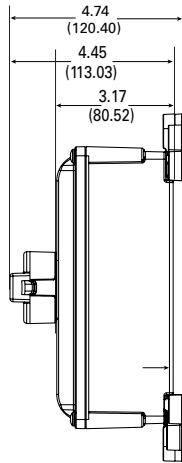
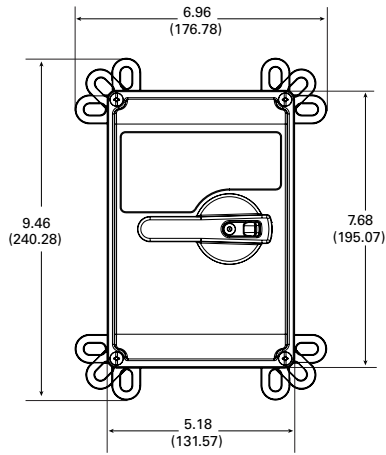


Catalog numbers:

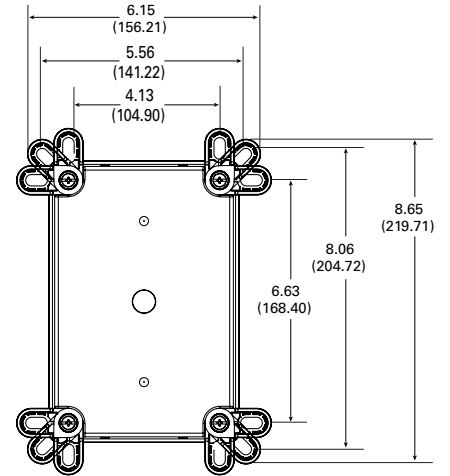
Catalog number	Description	Horsepower ratings (phase/Vac)						
		1Ø, 120V	1Ø, 220-240V	1Ø, 277V	1Ø, 440-480V	3Ø, 224-240V	3Ø, 440-480V	3Ø, 600V
AHDS30-BUSS	30A disconnect switch							
AHDS30AC-BUSS	30A disconnect switch with auxiliary contacts	1	3	3	5	5	10	10
AHDS30VFD-BUSS	30A disconnect switch with auxiliary contacts for variable frequency drive							
AHDS60-BUSS	60A disconnect switch							
AHDS60AC-BUSS	60A disconnect switch with auxiliary contacts	2	5	7.5	10	10	20	20
AHDS60VFD-BUSS	60A disconnect switch with auxiliary contacts for variable frequency drive							

Dimensions - in (mm):

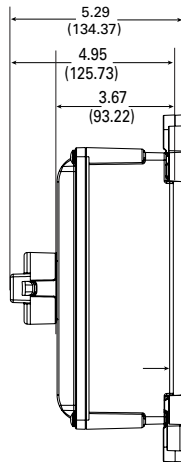
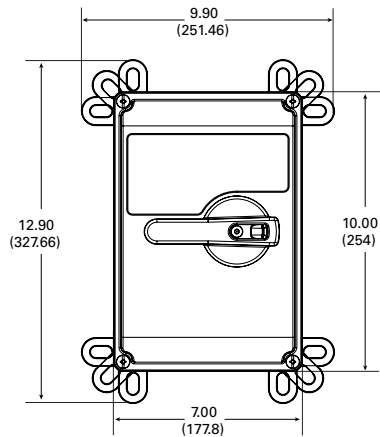
30A disconnect



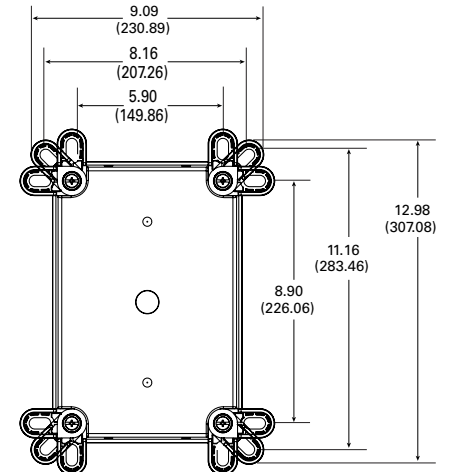
Offset mount = 0.29 (7.37)
Flush mount = 0.05 (1.27)



60A disconnect



Offset mount = 0.34 (8.64)



Auxiliary contact timing:

Standard

Variable frequency drive

