

AHM5 - AHK5 - AH05 SERIES

ABSOLUTE SINGLE-TURN IO-LINK ENCODERS

Introduction

Built from a solid and reliable mechanical and electrical platform, this IO-Link Encoder series was built from the ground up for reliability and robustness. Electrical protection is built in to reduce “first installation” errors. Mechanically, the high precision sealed bearings mean long life, even in harsh conditions. The product is rated to perform from -40 to +85°C and is offered with a protection level up to IP67, making this the perfect solution in a 58mm package for heavy duty industrial use.

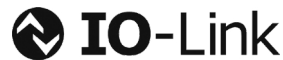


Features

- Absolute single-turn position with 16bits of resolution
- IO-Link COM3 with minimal cycle time of 1ms
- Easy programming with standard IO-Link tool
- Simple device replacement with Data Storage capability
- Universal power supply by IO-Link Master
- Robust and excellent resistance to shock and vibration
- High protection level IP65, IP67 option with a sealing flange
- Operating temperature range from -40°C to 85°C
- Standard M12 connector

Applications

- Factory automation
- Motor feedback
- Conveyors
- Automated warehousing
- General industrial system monitoring and feedback



SPECIFICATIONS

Mechanical

	AHM5	AHK5	AH05
Material	Cover: Zinc Alloy Body: Aluminium Shaft: Stainless Steel		
Bearings	6000 Series	6803 Series	
Maximum Loads	Axial	50 N	20 N
	Radial	100 N	50 N
Shaft inertia	2,5.10 ⁻⁶ kg.m ² (10mm)	2,9.10 ⁻⁶ kg.m ² (14mm)	3,2.10 ⁻⁶ kg.m ² (14mm)
Torque	4.10 ⁻³ N.m	16.10 ⁻³ N.m	20.10 ⁻³ N.m
Permissible Max. Speed	12 000 min ⁻¹	6 000 min ⁻¹	
Continuous Max. Speed	10 000 min ⁻¹	6 000 min ⁻¹	
Encoder Weight (Approx.)	0,300 kg		
Theoretical Mechanical Lifetime 10⁹ turns (F _{axial} / F _{radial})	30 N / 60 N : 26	20 N / 40 N : >36	

Electrical

Ver.	Output signals	Operating Voltage	Supply Current (no loads)	Current per Channel Pair	Short Circuits Proof	Reverse Polarity Tolerant	Frequency Capability	Resolutions category	Operating Temperature Range
Z10	IO-Link	18-30V	<75mA	<40mA	Yes	Yes	Up to IO-Link COM3 (230,4 kbits/s)	Full Programmable (1 to 16 bits)	-40°C...+85°C

Environmental

Shocks (EN 60068-2-27)	≤ 500 m.s ⁻² (during 6 ms)
Vibrations (EN 60068-2-6)	≤ 200 m.s ⁻² (10...2 000Hz)
EMC	EN 61000-6-2, EN 61000-6-4
Isolation	1 000V eff
Operating Temperature	-40 ... + 85°C (encoder T°)
Storage Temperature	-40 ... + 85°C
Protection (EN 60529)	IP 65 (IP 67 option with a sealing flange)
Humidity	98% RH non-condensing at 20 °C

IO-LINK FEATURES

Process data

- Position : single turn 16 bits max
- Speed : calculated speed in rpm (signed)

Programmable Parameters

- Resolution per turn: 1 to 16 bits
- Direction : clockwise or counter-clockwise, changes counting direction and speed sign.
- Speed window calculation : time between each speed data update.
- Reset/Preset value : The position process data is set to the preset parameter. The preset parameter shall be a valid position value according to the resolution chosen. Zero position shall be set using this parameter.

Diagnostics

- Operating Hours : number of hours since factory reset
- Temperature : event triggers when temperature exceeds specifications

Factory settings parameters

Name	Index	Factory Setting	Comment
Position Preset value	65	0	Value of the position preset
Rotation direction	72	false : CW	Set the rotation direction
Enter in Factory setup mode	75	0: Encoder mode	Do not use
Speed calculation window	80	1 : 200ms	Time between each speed data update
Absolute Position Resolution	90	16	Resolution of the turn counter (in bits)
Operating-hours	110	0	Number of hours with device on

STANDARD CONNECTIONS

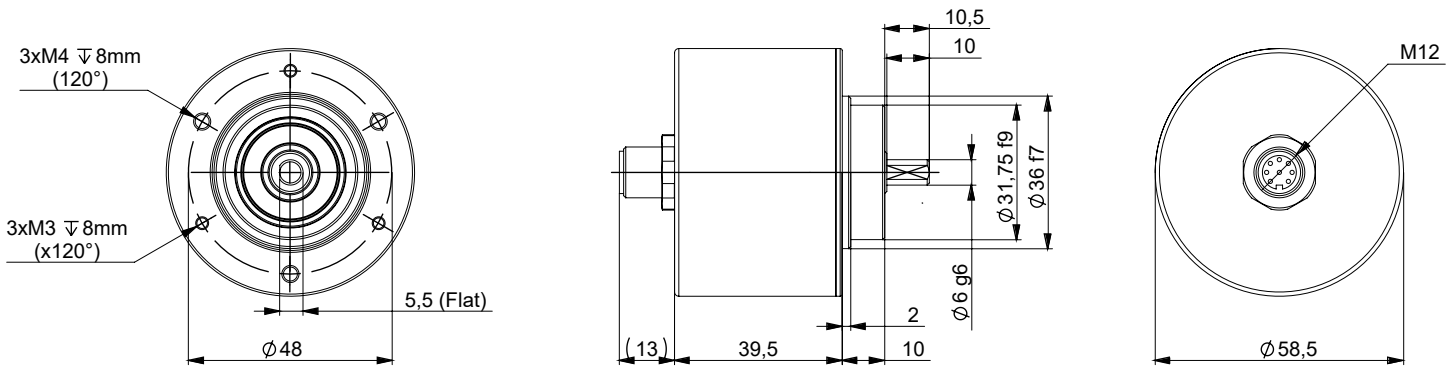
		L-	N.C	L+	C/Q	N.C
BF	M12 - 5 Pins	1	2	3	4	5
BD	PUR Cable - M12 - 5 Pins	1	2	3	4	-
BJ	PVC Cable - 3 wires	WH (White)	-	BN (Brown)	GN (Green)	-



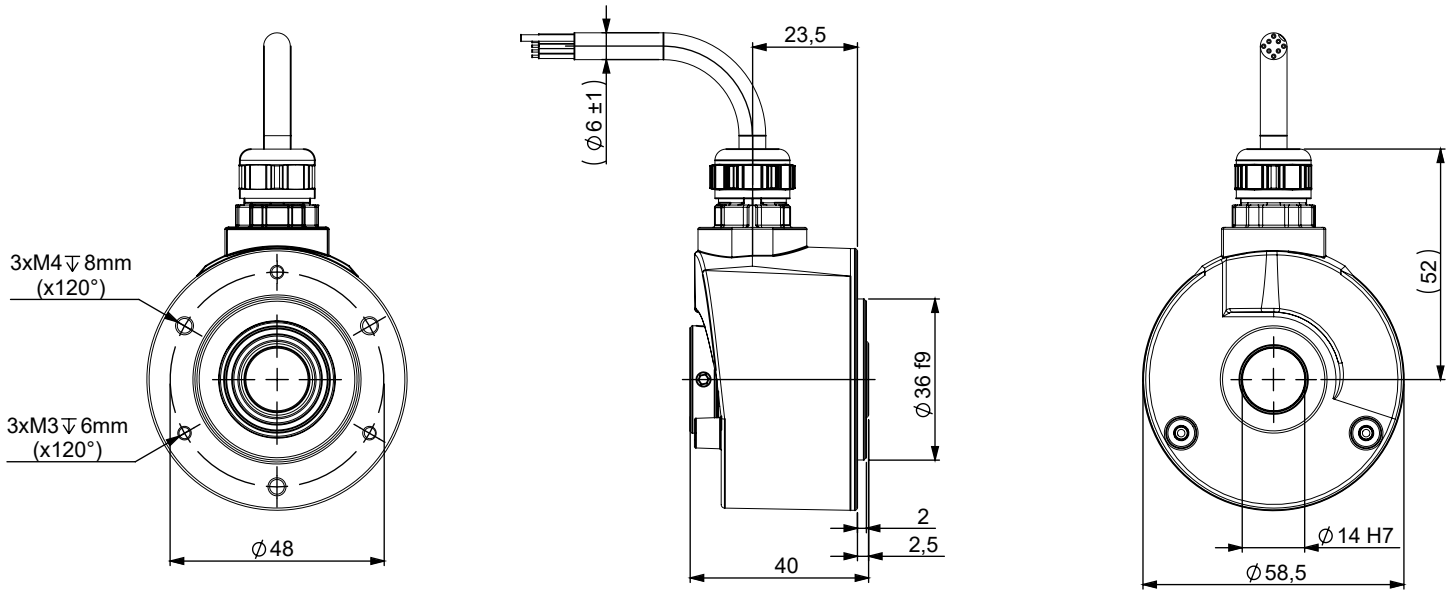
DIMENSIONS

All dimensions are in millimeters.

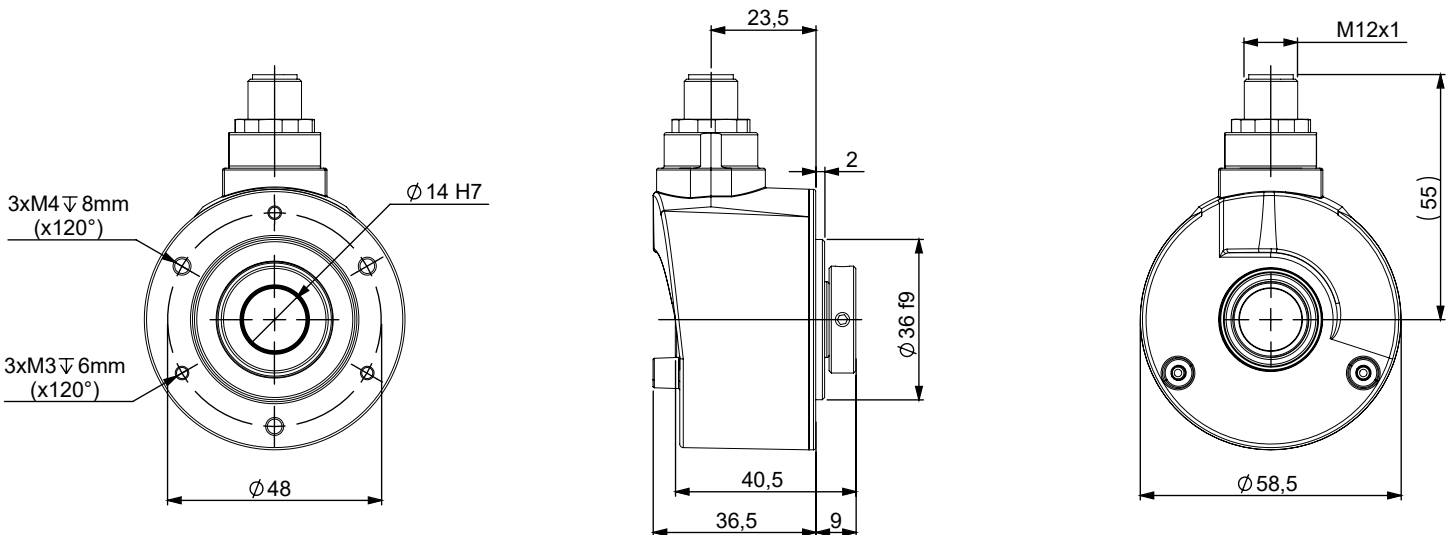
AHM5_06 Connection BFA (Axial M12)



AH05_14 Standard clamping, Connection BJR (Radial Cable)



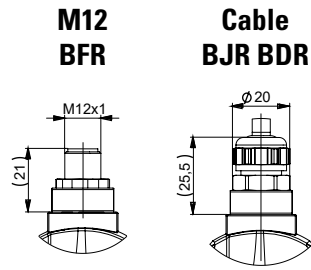
AH05S14/0M/ Flange side clamping, Connection BFR (Radial M12)



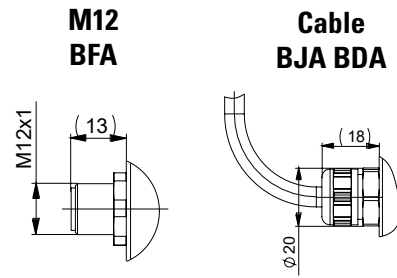


CONNECTION DIMENSIONS

Radial



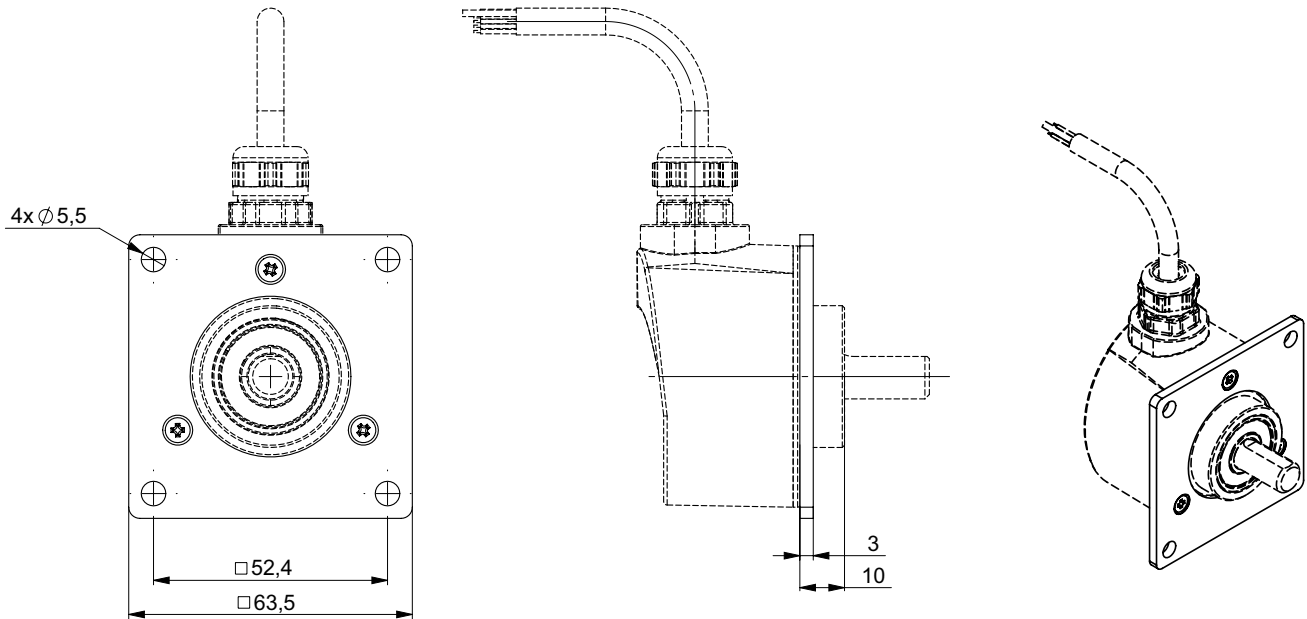
Axial



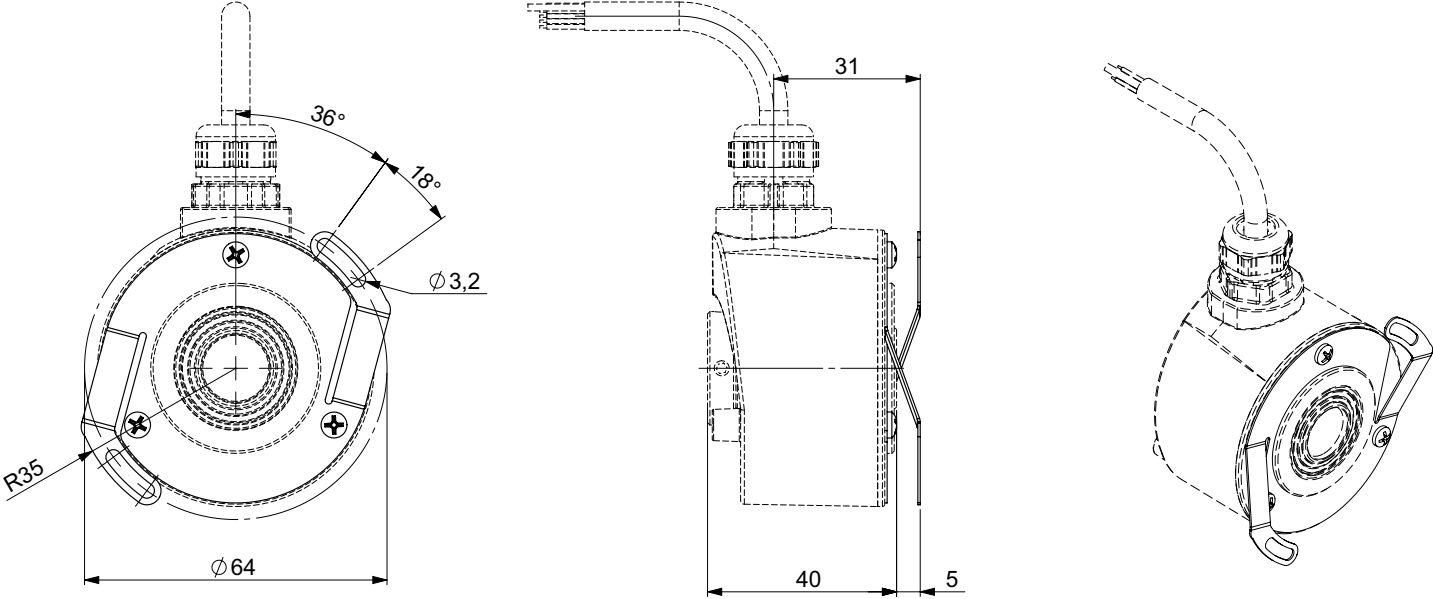
FLANGE AND COUPLING INTERFACES

The flange or coupling configurations can be defined in the ordering options for being installed on encoder in factory. All flange or coupling kits can also be ordered separately (see accessories section).

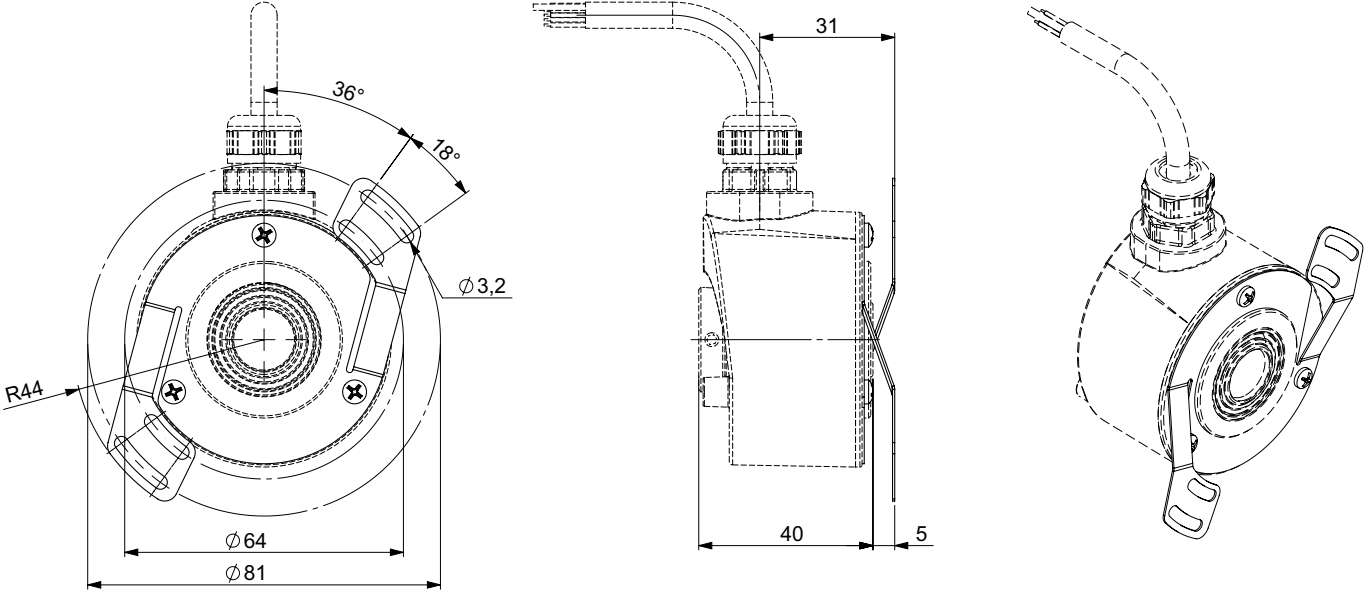
AHM5_10 Connection BJR (Radial cable), flange 9500/005 mounted on the body



AH05_14 Standard clamping, Connection BJR (Radial Cable), coupling 9445/012 mounted on the body



AH05_14 Standard clamping, Connection BJR (Radial Cable), coupling 9445/015 mounted on the body





ORDERING OPTIONS

Example: AHM5_06//ZIOB//16//BD R 020 // **03**

Family	AHM5	06	/	ZIO	B	//	16	//	BD	R	020	//	**03**
AHM5: Solid Shaft Encoder AHK5: Blind Shaft Encoder AH05: Hollow Shaft Encoder													
Shaft Size													
AHM5 06: 6 mm 09: 9.52 mm 10: 10 mm 08: 8mm (Option)													
AHK5 or AH05: 10: 10 mm 12: 12 mm 14: 14 mm 15: 15mm (Option)													
Contact factory for other configurations													
Mechanical Option													
Blank: No option OM: Flange side clamping													
Voltage Output													
ZIO: 18-30V IO-Link													
Code													
B: Binary													
Resolution													
16: 16bits single turn position													
Output Termination													
BF: M12 5 Pins BD: PUR Cable with M12 - 5 Pins BJ: PVC Cable - 3 wires													
Output orientation													
R: Radial (All configurations) A: Axial (AHM5 and AHK5 only)													
Cable Length													
xxx: Cable Length (ex.: 020 = 2 Meters) Blank: No Cable													
Accessories													
D0****: AH05 with aluminum reduction sleeve D1****: AH05 with insulated reduction sleeve D2****: AHK5 with aluminum reduction sleeve **D2**: 9445/012 AH05 Stator coupling **D4**: 9445/015 AH05 Stator coupling **DK**: 9445/016 AHK5 & AH05.../OM/ Stator coupling **03**: 9500/003 Synchro flange **05**: 9500/005 Square flange													



GENERAL NOTES

For an optimized installation meeting industrial standards, refer to the Instructions Manual. The Instructions Manual provides the technical information (drawings, electrical data, etc...) for a proper integration.



AGENCY APPROVALS & CERTIFICATIONS



IO-Link