

# SPECIFICATIONS

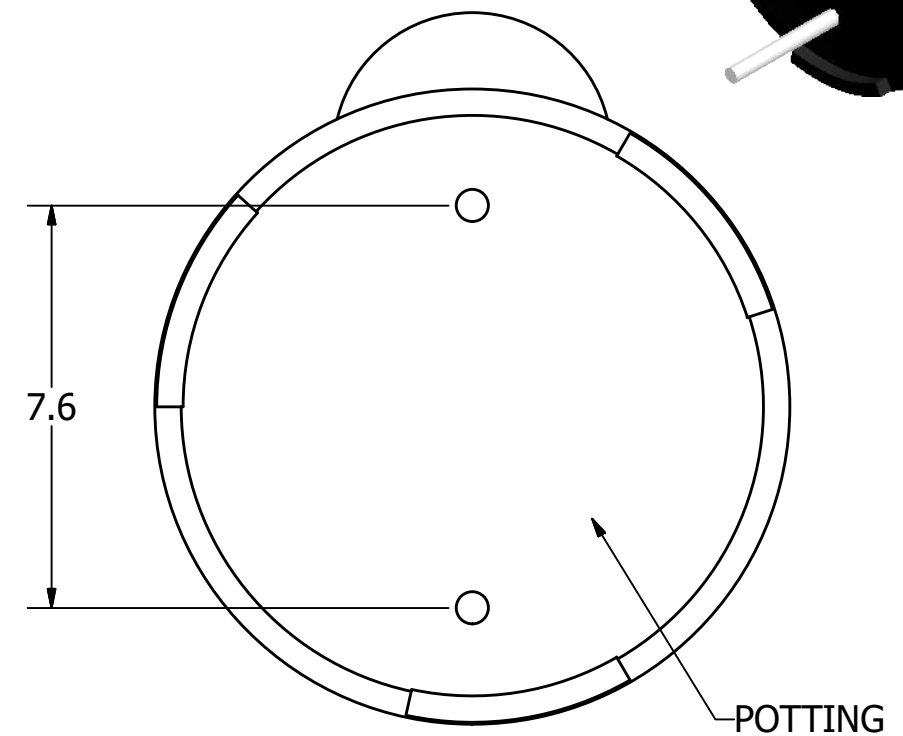
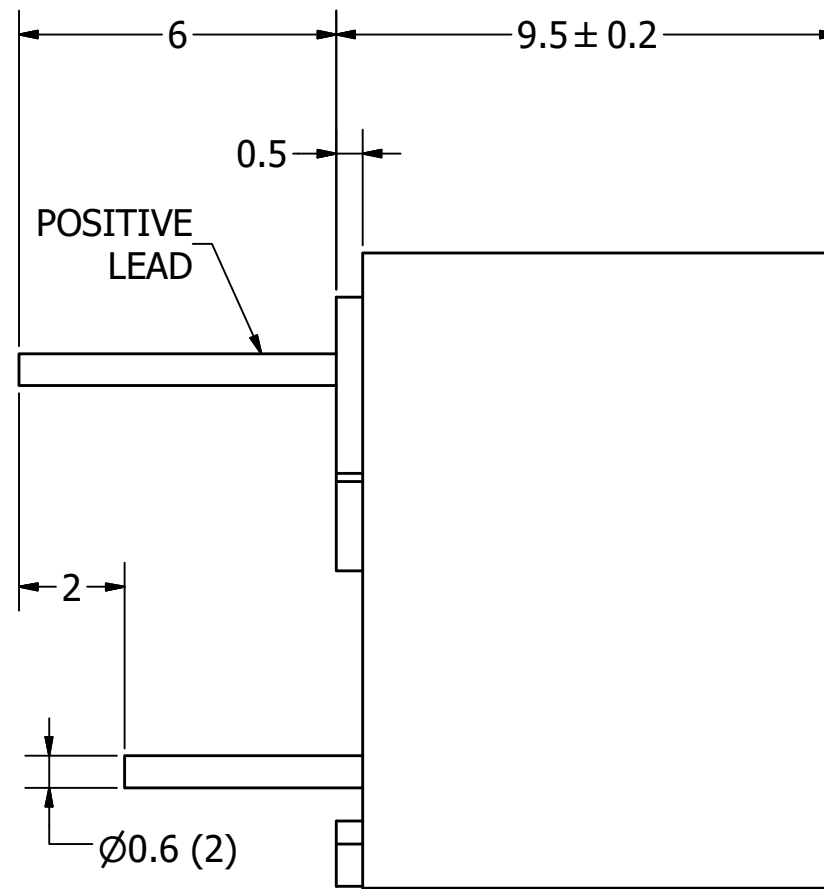
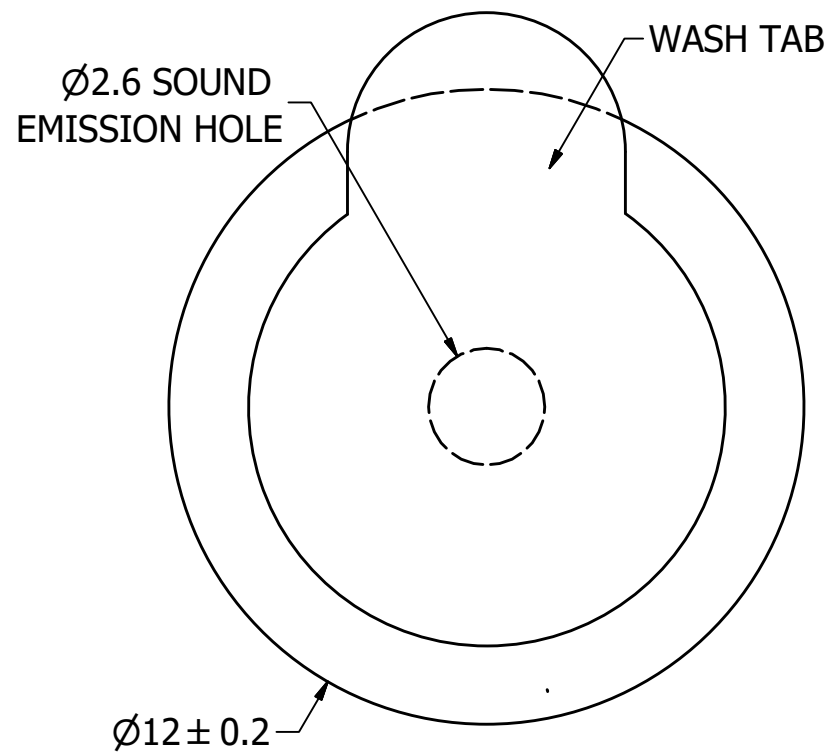
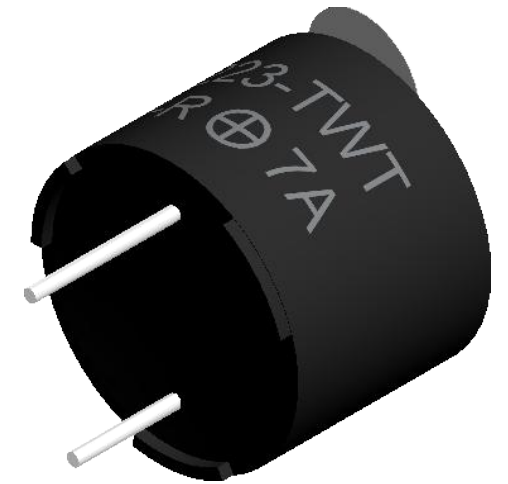
| PARAMETERS              | VALUES               | UNITS        |
|-------------------------|----------------------|--------------|
| RATED VOLTAGE           | 12                   | Vdc          |
| OPERATING VOLTAGE RANGE | 8 ~ 16               | Vdc          |
| RATED CURRENT (MAX)     | 30                   | mA           |
| MINIMUM SPL @ 10 CM     | 85                   | dBA          |
| RESONANT FREQUENCY      | 2,300 ± 400          | Hz           |
| TONE OR PULSE RATE      | CONTINUOUS           | 0 pulse /sec |
| OPERATING TEMPERATURE   | -30 ~ +80            | °C           |
| STORAGE TEMPERATURE     | -40 ~ +85            | °C           |
| HOUSING MATERIAL        | PBT                  | -            |
| TERMINAL MATERIAL       | Sn PLATED RED COPPER | -            |
| WEIGHT                  | 2                    | grams        |

THIS DOCUMENT CONTAINS DATA PROPRIETARY TO PUI AUDIO, INC. ANY USE OR REPRODUCTION, IN ANY FORM, WITHOUT PRIOR WRITTEN PERMISSION OF PUI AUDIO, INC. IS PROHIBITED.

©2010, PUI AUDIO Inc.

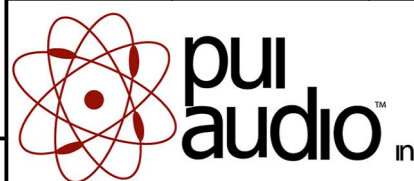
# REVISION HISTORY

| LTR | DESCRIPTION                              | DATE       | APPROVED |
|-----|------------------------------------------|------------|----------|
| -   | RELEASED FROM ENGINEERING                | 8/10/2004  |          |
| A   | REMOVED LEAD FREE NOTE ADDED RoHS NOTE   | 8/5/2005   | B.R.     |
| B   | REVISED DIMENSION SIZE AND STYLE         | 11/28/2005 | B.R.     |
| C   | REVISED SOUND HOLE AND TEMPERATURE       | 5/11/2010  | B.R.     |
| D   | REVISED TO INVENTOR 3-D DRAWING TEMPLATE | 6/30/2010  | B.R.     |
| E   | REVISED HOUSING MATERIAL                 | 9/25/2012  | B.R.     |
| F   | REVISED TEMPERATURE RATINGS              | 2/14/2020  | M.L.     |



## NOTES:

1. ALL DIMENSIONS ARE IN MILLIMETERS.
2. SPECIFICATIONS SUBJECT TO CHANGE OR WITHDRAWL WITHOUT NOTICE.
3. THIS PART IS RoHS 2015/863/EU COMPLIANT.
4. WAVE SOLDER AND WASH ALLOWED.

|                                                                                                          |                   |                                                                                       |           |                                       |      |             |           |            |       |
|----------------------------------------------------------------------------------------------------------|-------------------|---------------------------------------------------------------------------------------|-----------|---------------------------------------|------|-------------|-----------|------------|-------|
| UNLESS OTHERWISE SPECIFIED:<br>DIMENSIONS ARE IN MILLIMETERS,<br>TOLERANCES ARE ±0.5 AND ANGLES ARE ±3°. | SIZE<br><b>A3</b> | Designed by                                                                           | Date      | Checked by                            | Date | Approved by | Date      | Drawn Date |       |
|                                                                                                          |                   | R.A.C.                                                                                | 8/10/2004 |                                       |      | R.W.        | 8/10/2004 | 6/30/2010  |       |
| AI-1223-TWT-12V-R.idw                                                                                    |                   |  |           | <b>AI-1223-TWT-12V-R</b><br>Indicator |      |             |           | Edition    | Sheet |
|                                                                                                          |                   |                                                                                       |           |                                       |      |             |           | -          | 1 / 1 |