

**pui audio**™ inc  
a projects unlimited company

## AI-1223-TWT-5V-R 12mm Indicator

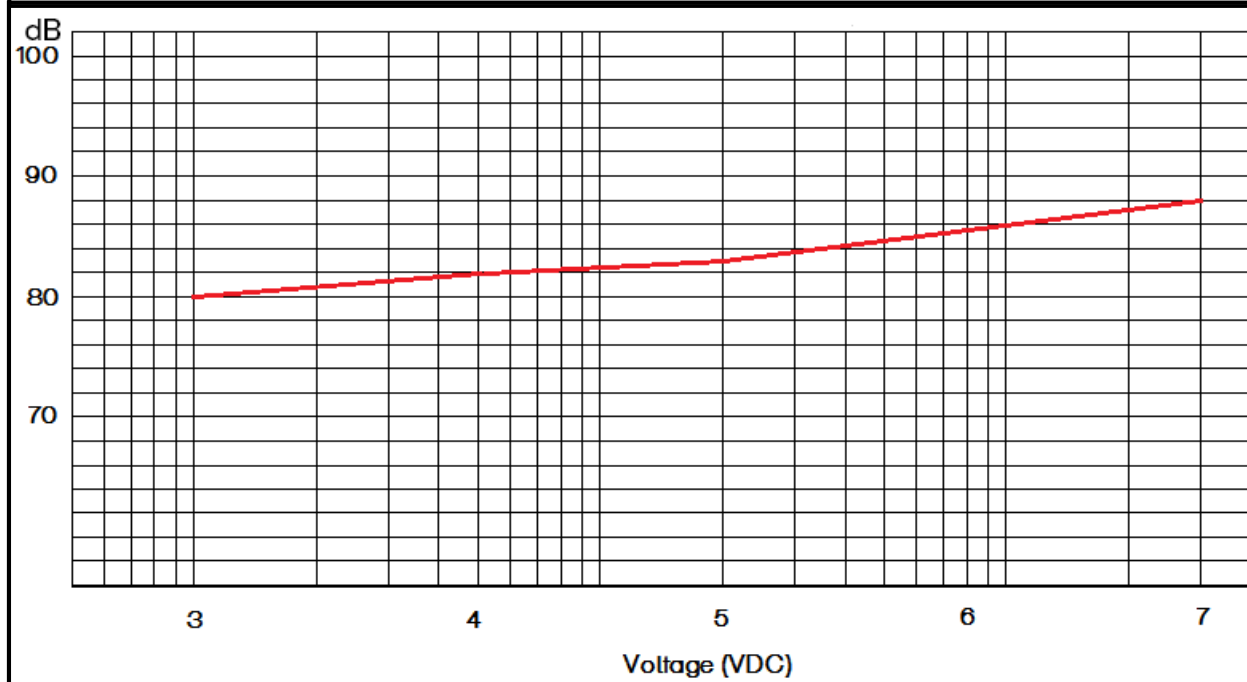


3541 Stop Eight Road • Dayton, Ohio 45414

### Product Overview

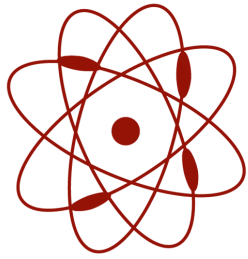
- 12mm diameter, 3-7 VDC self-drive indicator
- 85 dBA minimum output (5 VDC @ 10 cm) and 2,300 Hz continuous tone
- PBT housing withstands Wave soldering temperatures
- Removable wash tag preserves performance

SPL vs Voltage (measured @10 cm)



RoHS Compliant





**pui  
audio**™ inc  
a projects unlimited company

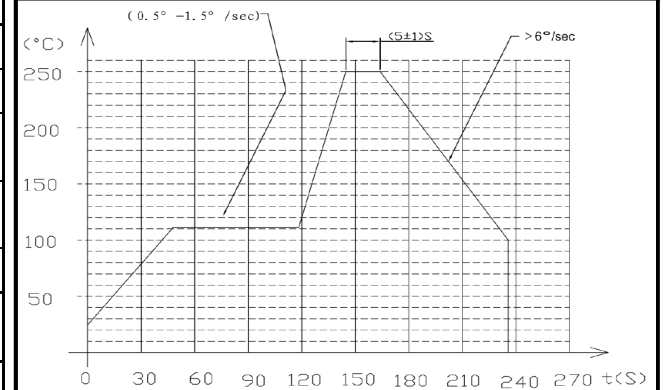
# AI-1223-TWT-5V-R 12mm Indicator

## Mechanical and Environment Testing

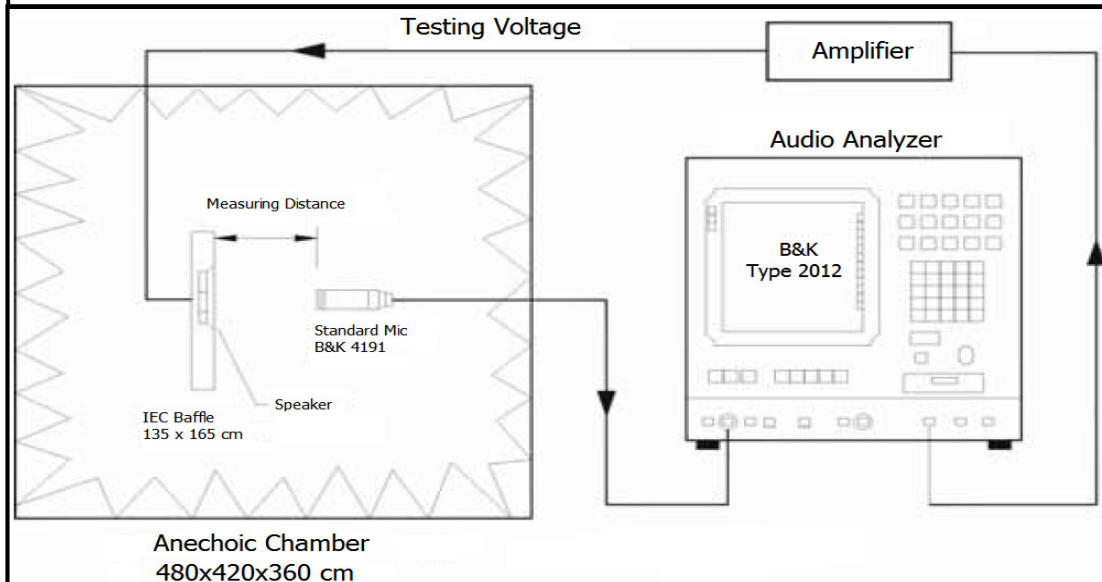
Test Description	Test Condition
High Temperature	85°C (±2°C) with random humidity for 96 hours
Low Temperature	-25°C (±2°C) with random humidity for 96 hours
Humidity	40°C (±2°C) with 90% to 95% relative humidity for 96 hours
Vibration	0.75 mm movement modulated at 10-55 Hz for 3 hours
Drop Test	100 cm free fall onto wood board, 10 cycles
Temperature Cycle Test	-30°C to 80°C, 100 cycles

After tests, part shall rest for 2 hours. Parts are then tested for clean, pure tones.

## Wave Solder Profile



## Frequency Response and SPL Measurement Setup



## Temperature Cycle Test Graph

