

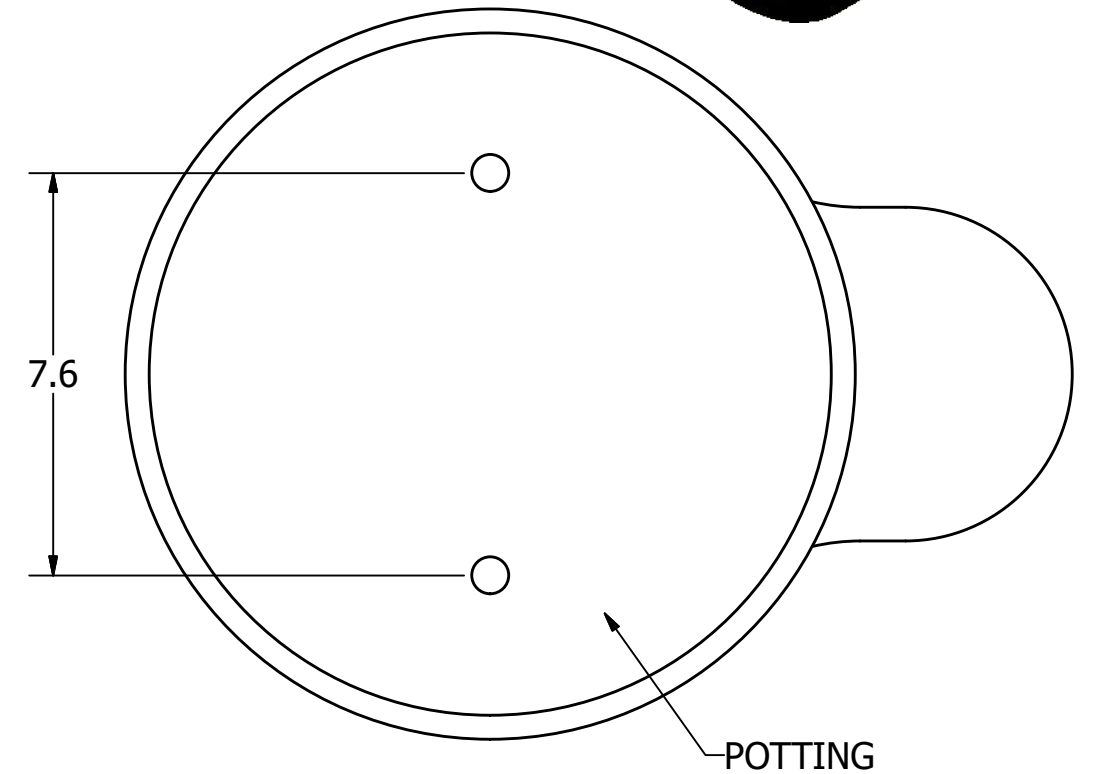
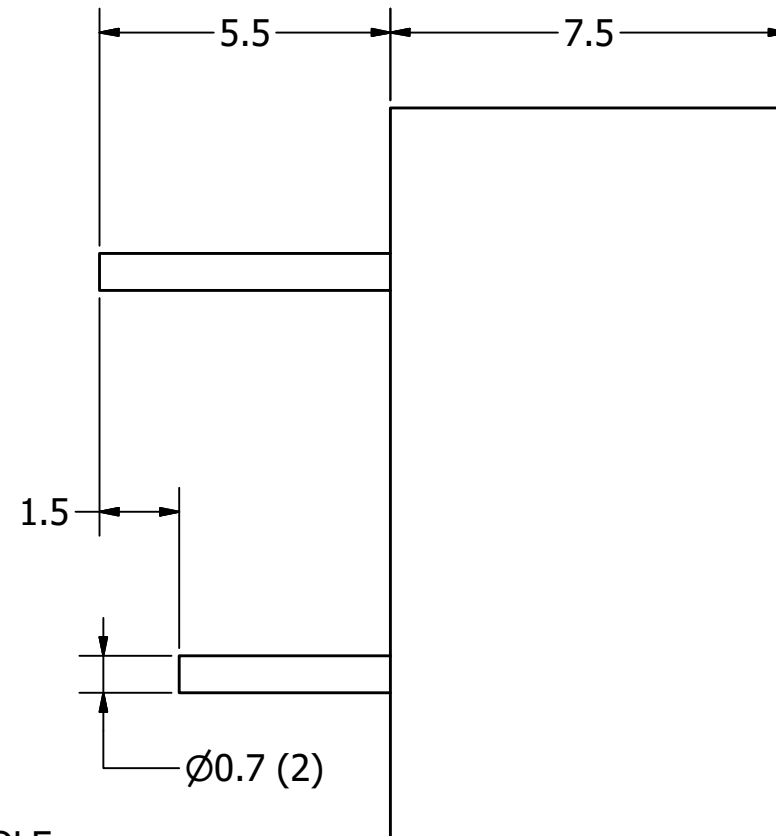
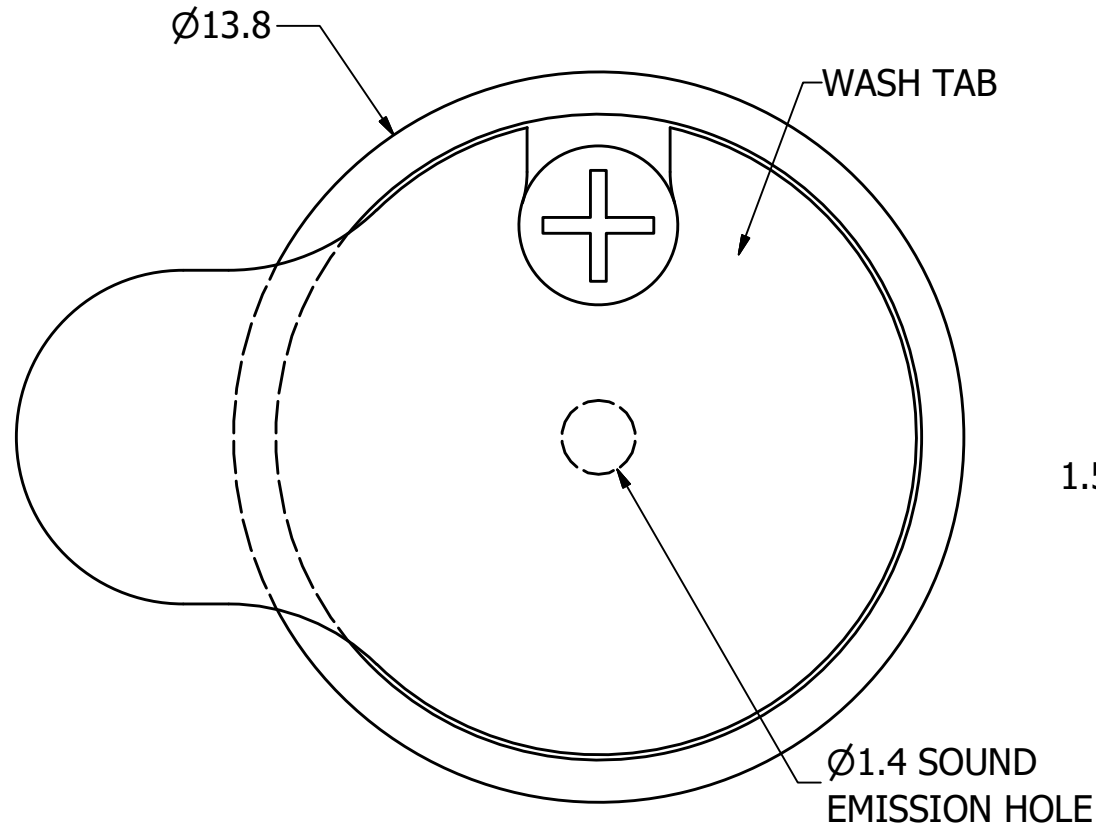
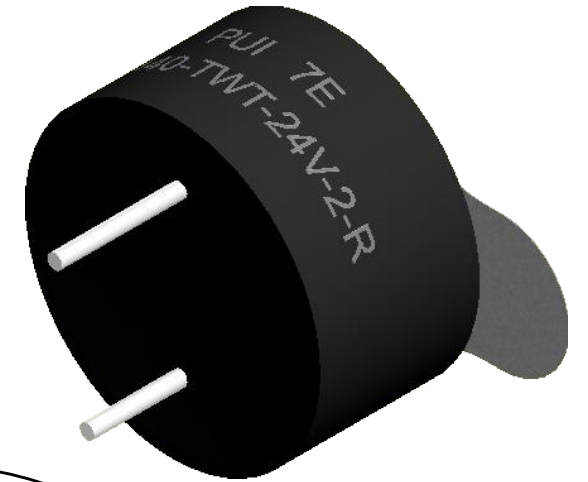
# SPECIFICATIONS

PARAMETERS	VALUES	UNITS
RATED VOLTAGE	24	Vdc
OPERATING VOLTAGE RANGE	6 ~ 30	Vdc
RATED CURRENT (MAX)	18	mA
MINIMUM SPL @ 10 CM	87	dBA
RESONANT FREQUENCY	4,000 ± 500	Hz
TONE OR PULSE RATE	CONTINUOUS	0 pulse /sec
OPERATING TEMPERATURE	-30 ~ +70	°C
STORAGE TEMPERATURE	-40 ~ +85	°C
HOUSING MATERIAL	NORYL	-
TERMINAL MATERIAL	Sn PLATED COPPER	-
WEIGHT	1	grams

THIS DOCUMENT CONTAINS DATA PROPRIETARY TO PROJECTS UNLIMITED, INC. ANY USE OR REPRODUCTION, IN ANY FORM, WITHOUT PRIOR WRITTEN PERMISSION OF PROJECTS UNLIMITED, INC. IS PROHIBITED.  
©2003, Projects Unlimited Inc.

# REVISION HISTORY

LTR	DESCRIPTION	DATE	APPROVED
-	RELEASED FROM ENGINEERING	10/18/2006	
A	REVISED TO INVENTOR 3-D DRAWING TEMPLATE	11/16/2007	B.R.
B	ADDED NOTE 4	4/9/2012	B.R.
C	REVISED SOUND HOLE DIAMETER AND TEMPERATURE SPECIFICATIONS	2/21/2020	M.V.



### NOTES:

1. ALL DIMENSIONS ARE IN MILLIMETERS.
2. SPECIFICATIONS SUBJECT TO CHANGE OR WITHDRAWL WITHOUT NOTICE.
3. THIS PART IS RoHS 2002/95/EC COMPLIANT.
4. INTERNAL WIRE IS 0.15mm ENAMELLED COATED WITH A660 ADHESIVE OVER SOLDER JOINTS.

UNLESS OTHERWISE SPECIFIED: DIMENSIONS ARE IN MILLIMETERS, TOLERANCES ARE ±0.5 AND ANGLES ARE ±3°.	SIZE <b>A3</b>	Designed by	Date	Checked by	Date	Approved by	Date	Drawn Date
		J.D.	10/18/2006	B.R.	10/18/2006	R.W.	10/18/2006	11/15/2007
AI-1440-TWT-24V-2-R.idw				<b>AI-1440-TWT-24V-2-R</b>			Indicator	
							Edition	Sheet
							-	1 / 1