

Data Sheet

AI-3239-TF-LW140-R

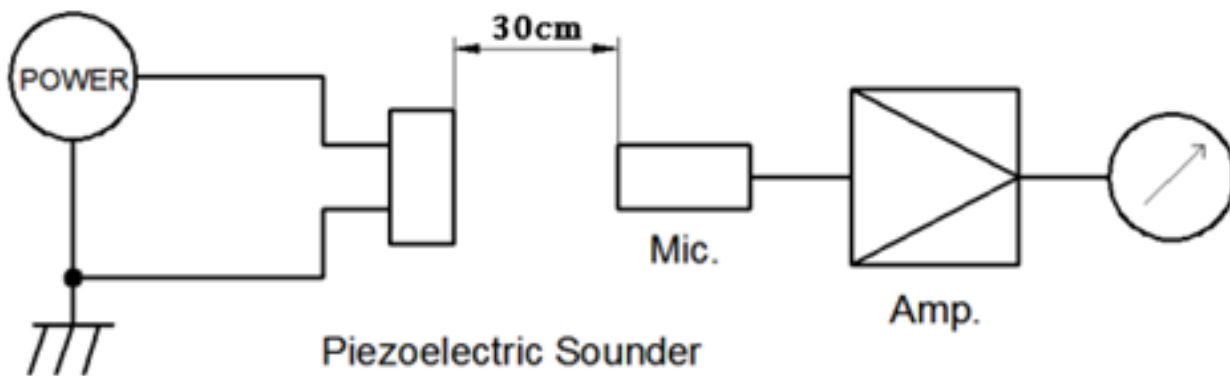
Features:

- Continuous tone
- 95 dB output with 24 VDC input
- Weighs only 8 grams

Indicator Specifications

Parameters	Values	Units
Rated Voltage	24	VDC
Operating Voltage Range	5 ~ 26	VDC
Current Draw at Rated Voltage	≤30	mA
Minimum SPL @ 30cm	≥95	dBA
Resonant Frequency	3900±500	Hz
Tone or Pulse Rate	Continuous	-
Housing Material	White ABS	-
Weight	8	Grams
Acceptable Soldering Methods	Hand Solder	-
Environmental Compliances	RoHS	-
Storage Temperature	-30 ~ +75	°C
Operating Temperature	-20 ~ +65	°C

Measurement Method (24 VDC input with a SPL meter at 10cm)

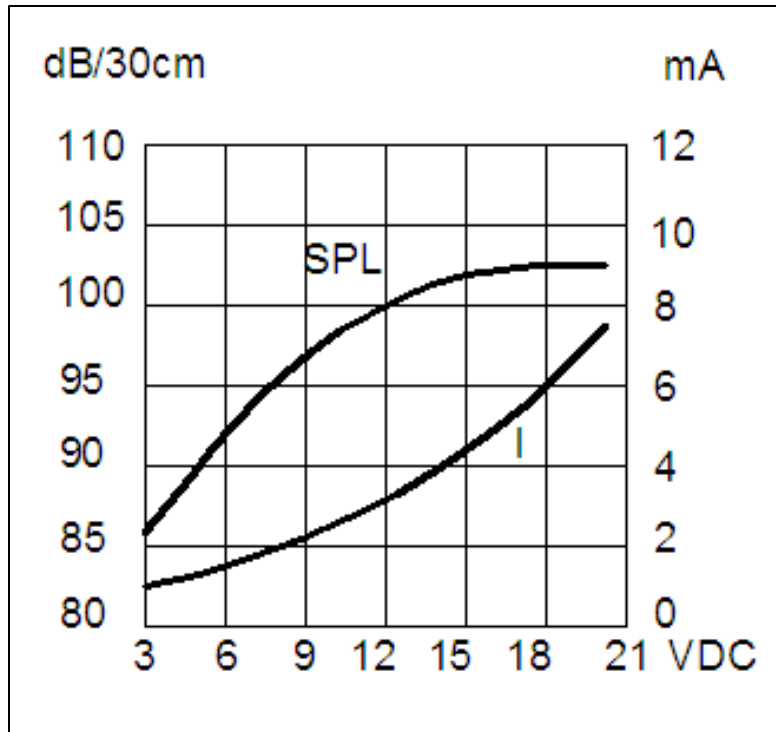


Piezoelectric Sounder

MIC: ND10 Sound Meter or equivalent

DC Power Supply: QJ6003S or equivalent

Typical SPL and Current Draw vs Input Voltage

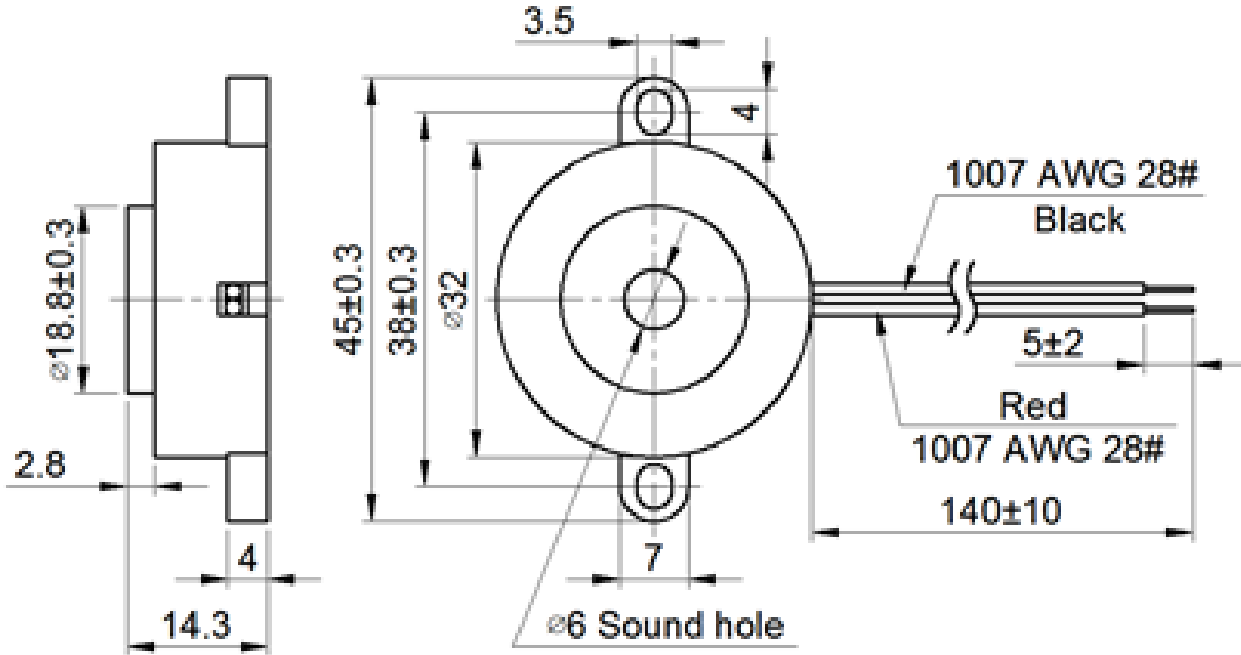


Reliability Testing

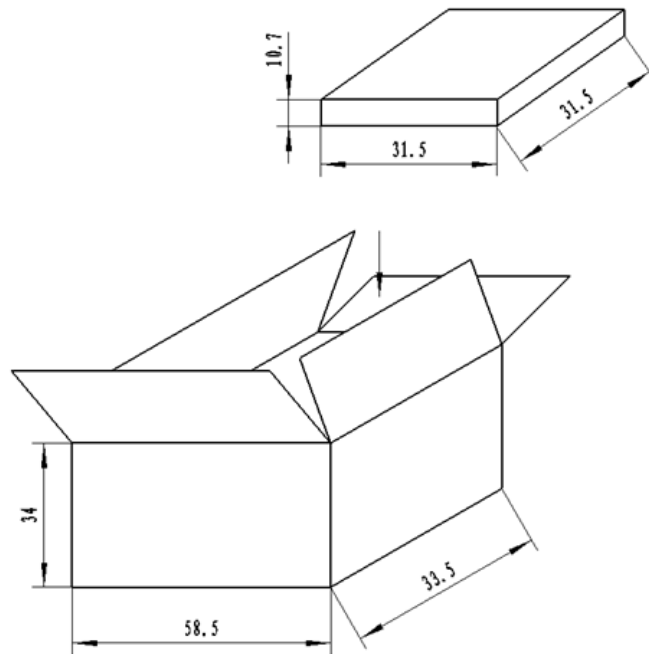
Type of Test	Test Specifications
High Temperature Test	+80±2°C, 96Hrs
Low Temperature Test	-30±2°C, 96Hrs
Humidity Test	40±2°C, 93(+2/-3) %RH for 96Hrs
Temperature Cycle Testing	-30±2°C, 30minutes +20±2°C, 15 minutes +80±2°C, 30 minutes +20±2°C, 15 minutes Total of 5 cycles
Vibration Test	10 to 55 Hz band of vibration frequency to each of 3 perpendicular directions for 2 hrs.
Drop Test	The part shall be dropped from a height of 70cm onto a 10mm thick wooden board; 3 times per the 3 axial directions (x, y & z) a total of 9 times.

After being placed for 2 to 4hrs at room temp, the product shall meet specifications, except SPL which should be within ±10 dB compared with the initial value.

Dimensions (Units: mm Tolerance: $\pm 0.5\text{mm}$)



Packaging



NOTES:

1. 200 PCS per plate
2. Total 5 plate per box
3. Total 1000 PCS carton
4. Volume: $58.5 \times 33.5 \times 34\text{cm}$