



Data Sheet

AI-4228-TF-LW140-7-R

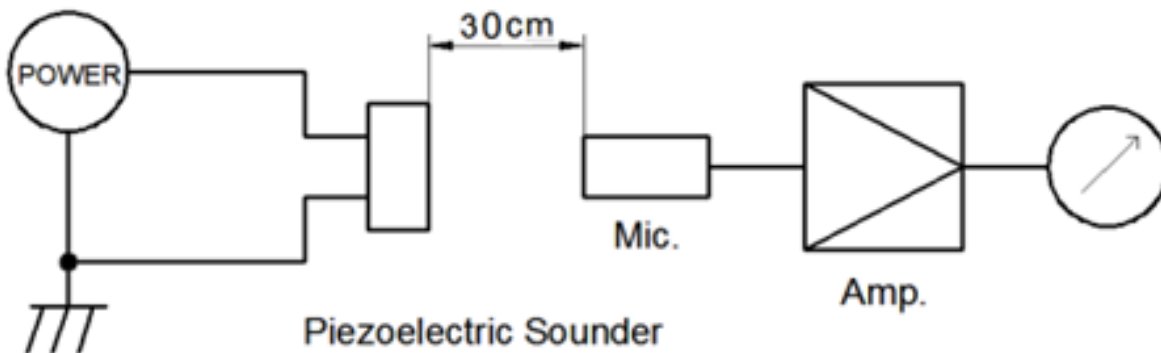
Features:

- Continuous tone
- 100 dB output with 12 VDC input @ 30cm, 110 dB @ 10cm
- 3 to 20 VDC voltage range

Specifications

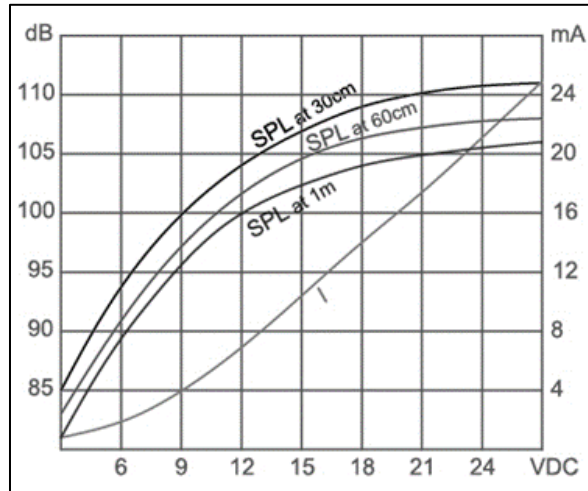
Parameters	Values	Units
Rated Voltage	12	VDC
Operating Voltage Range	3 ~ 20	VDC
Current Draw at Rated Voltage	≤12	mA
Minimum SPL @ 30cm	≥100	dB
Resonant Frequency	2800 ±500	Hz
Tone or Pulse Rate	Continuous	-
Housing Material	ABS	-
Weight	12	Grams
Acceptable Soldering Methods	Hand Solder	-
Environmental Compliances	RoHS	-
Storage Temperature	-30 ~ +80	°C
Operating Temperature	-20 ~ +70	°C

Measurement Method (12 VDC input)



Piezoelectric Sounder
 MIC: ND10 Sound Meter or equivalent
 DC Power Supply: QJ6003S or equivalent

Typical SPL and Current Draw vs Input Voltage

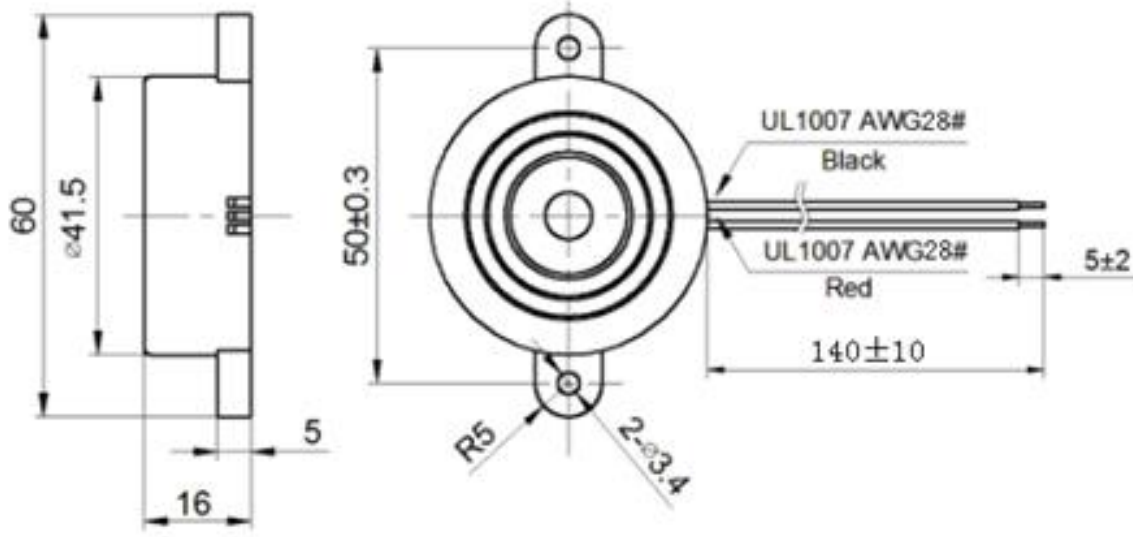


Reliability Testing

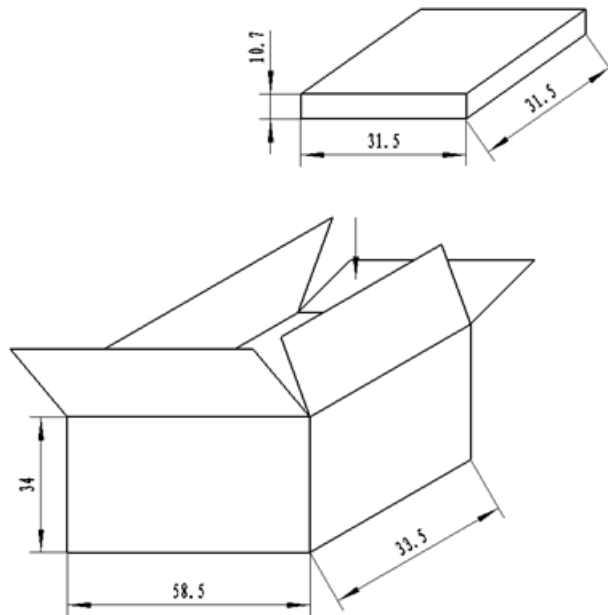
Type of Test	Test Specifications
High Temperature Test	+80±2°C, 96 Hours
Low Temperature Test	-30±2°C, 96 Hours
Humidity Test	40±2°C, 93 (+2/-3) % RH for 96 Hours
Temperature Cycle Testing	-30±2°C, 30minutes +20±2°C, 15 minutes +80±2°C, 30 minutes +20±2°C, 15 minutes Total of 5 cycles
Vibration Test	Apply 10 to 55 Hz vibration frequency to each of 3 perpendicular directions for 2 hours.
Drop Test	The part shall be dropped from the height of 70cm onto a 10mm thick wooden board; 3 times per axial direction (x, y & z) a total of 9 times.

After being placed for 4 hours at room temp, the product shall meet specifications, except the SPL should be within ±10dB compared with the initial value.

Dimensions (All dimensions in mm, tolerance ± 0.5 mm unless otherwise noted)



Packaging



NOTES:

- 1.200 PCS per plate
- 2.Total 5 plate per box
- 3.Total 1000 PCS box
- 4.Volume: 58.5*33.5*34cm