

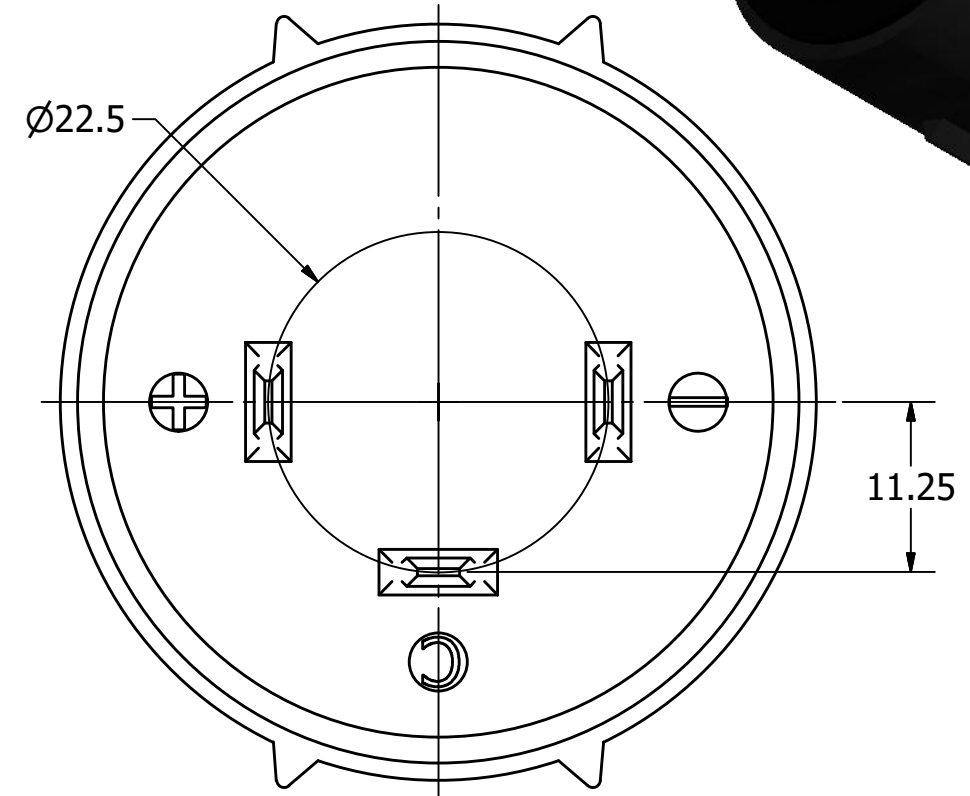
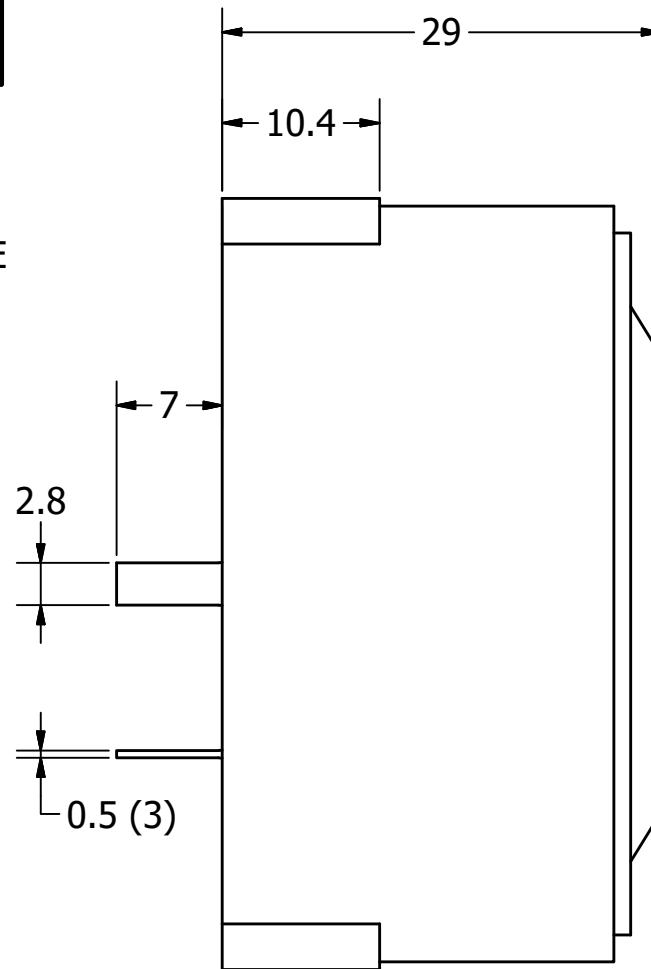
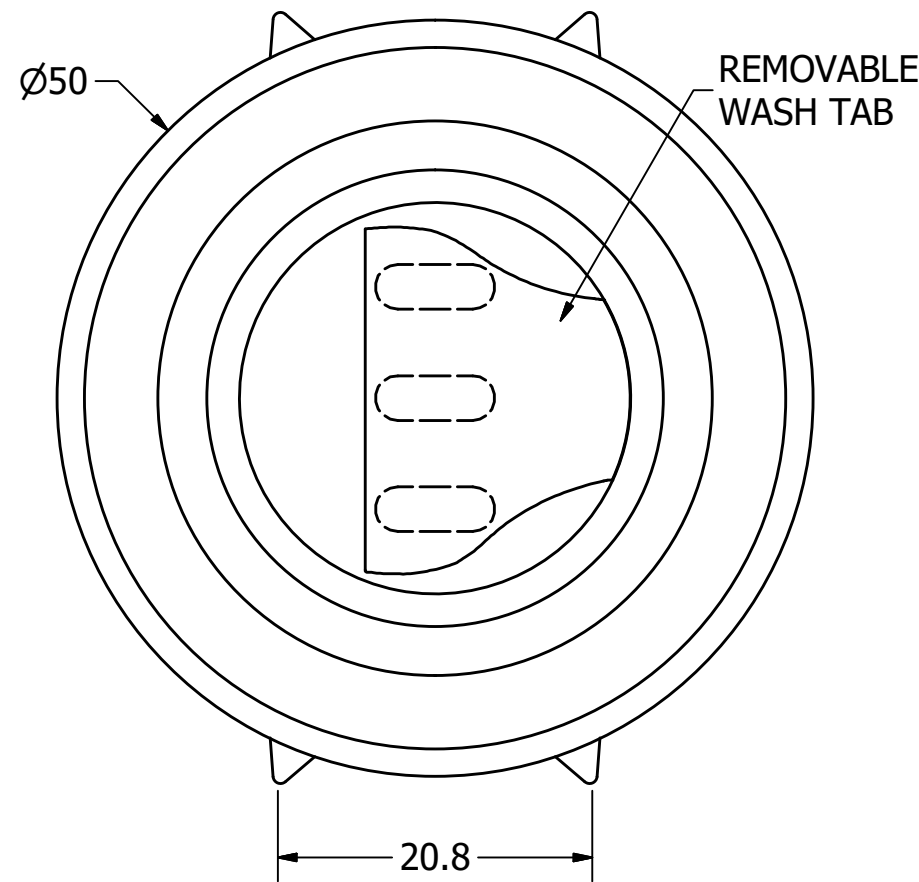
SPECIFICATIONS

PARAMETERS	VALUES	UNITS
RATED VOLTAGE	12	Vdc
OPERATING VOLTAGE RANGE	5 ~ 13	Vdc
RATED CURRENT (MAX)	75	mA
MINIMUM SPL @ 10 CM	115	dB
RESONANT FREQUENCY	2,500 ± 500	Hz
TONE OR PULSE RATE	CONTINUOUS	0 pulse/sec
OPERATING TEMPERATURE	-20 ~ +60	°C
STORAGE TEMPERATURE	-30 ~ +70	°C
HOUSING MATERIAL	ABS	-
TERMINAL MATERIAL	PHOSPHOR BRONZE	-
WEIGHT	40	grams

THIS DOCUMENT CONTAINS DATA PROPRIETARY TO PROJECTS UNLIMITED, INC. ANY USE OR REPRODUCTION, IN ANY FORM, WITHOUT PRIOR WRITTEN PERMISSION OF PROJECTS UNLIMITED, INC. IS PROHIBITED.
©2003, Projects Unlimited Inc.

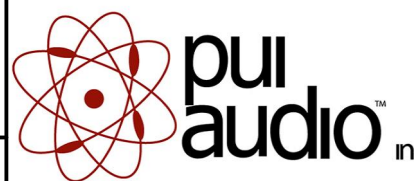
REVISION HISTORY

LTR	DESCRIPTION	DATE	APPROVED
-	RELEASED FROM ENGINEERING	8/17/2005	
A	REVISED TO INVENTOR 3-D DRAWING TEMPLATE	3/11/2008	B.R.
B	ADD NOTE FOR C-PIN TRIGGER	3/25/14	M.L
C	REVISED PIN MATERIAL	2/25/2020	M.V.



NOTES:

1. ALL DIMENSIONS ARE IN MILLIMETERS.
2. SPECIFICATIONS SUBJECT TO CHANGE OR WITHDRAWL WITHOUT NOTICE.
3. THIS PART IS RoHS 20011/65/EC COMPLIANT.
4. C-PIN TRIGGER CURRENT @ 12Vdc is 2mA MAX

UNLESS OTHERWISE SPECIFIED: DIMENSIONS ARE IN MILLIMETERS, TOLERANCES ARE ±0.5 AND ANGLES ARE ±3°.	SIZE A3	Designed by	Date	Checked by	Date	Approved by	Date	Drawn Date	
		J.A.F.	8/17/2005	B.R.	8/17/2005	E.P.	8/17/2005	3/11/2008	
AI-5025-TWT-R.idw				AI-5025-TWT-R Indicator				Edition	Sheet
								-	1 / 1