

AIM-35

8" Industrial Tablet for Retail Application Powered By Intel® Atom™ Processor



Features

- Intel® Atom™ processor for Windows 10 IoT and Android 6.0 operating systems
- Industrial-Grade 8" 1,920 x 1,200 LCD Panel with 400 nits brightness and MTBF up to 12,000 hours
- Equipped Gorilla® Glass 3, Anti-Glare, Anti-Fingerprint, Direct Bonded Touch Panel against scratch
- Supports glove mode and stylus with palm detection to expand usability
- IP65 water and dust protection/ 4ft drop compliant
- Comprehensive communication technologies including 3G/4G (support PCTRB), WLAN, BT, NFC, GPS and HDMI output
- Camera module supports auto focus with LED flash
- AIM Extension 14-pin Pogo connector supports Extension Modules for 1D/2D Barcode scanner, MSR, IC Card readers
- AIM Dock 16-pin Pogo connector supports Cradle and Docking peripherals: VESA mount dock, charging station and printer cradle



Introduction

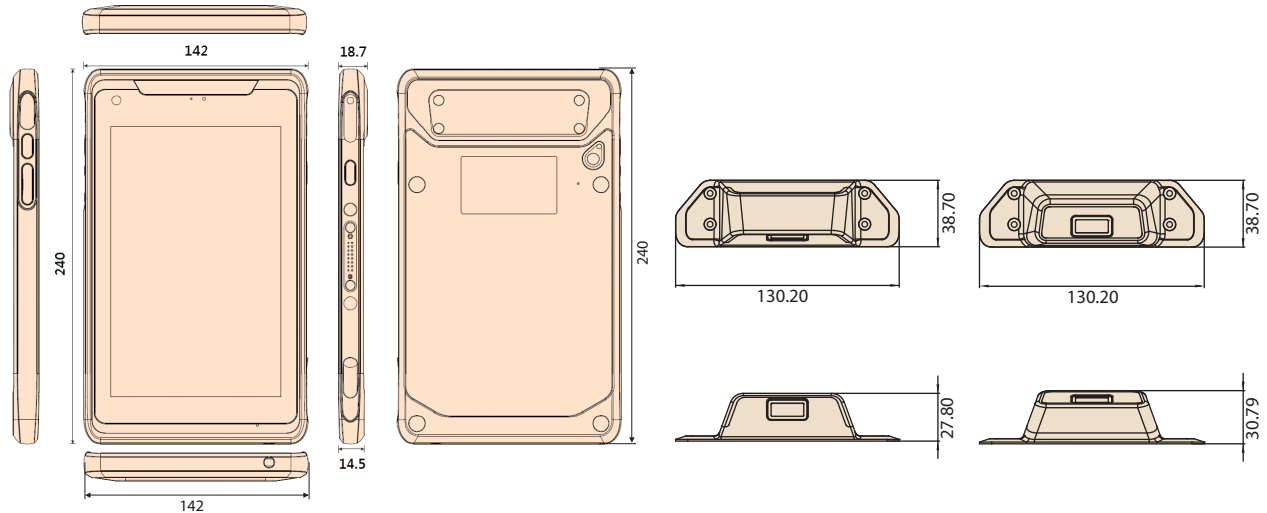
AIM-35 is an industrial-grade handheld tablet POS system for multiple applications with Intel® Atom™ processor and multiple OS platform support for various software operation. To meet demands of retail and hospitality industry, AIM-35 provides 6-8 hours operation and support IP65-rated water and dust protection as robust tablet, but also enables various extension modules for the diversified application scenarios, such as 2D barcode scanner, to satisfy various retail and hospitality applications as well as inventory management or self-service operations that makes AIM-35 is ideal tablet POS system for the retail and hospitality market.

Specifications

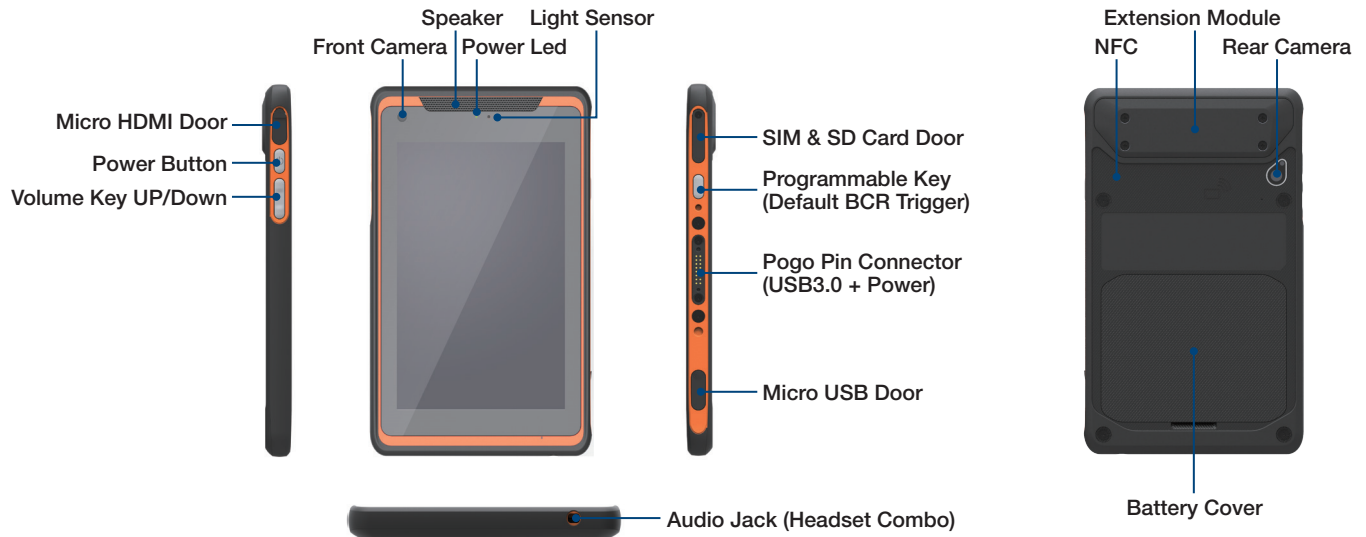
System	Processor	Intel® Atom™ quad-core x5-Z8350 (1.44 GHz)
	Memory	2/4 GB
	OS	Windows 10 IoT Enterprise, Android 6.0
Storage	eMMC	32/64 GB
	SD Card	1 x Micro SD
Display	Type	8" IPS LCD
	Resolution	WUXGA 1200 x 1920
	Brightness	400 cd/m2
Touchscreen	Type	10-point multi-touch capacitive
	Construction	Directly bonded Corning® Gorilla® Glass 3
Multimedia	Speaker	1 x Internal speaker (1 W)
	Microphone	1 x Internal microphone for noise suppression
Camera	Front	2-Megapixel camera with fixed focus
	Rear	5-Megapixel camera with auto focus and LED flash
Sensors		Ambient Light Sensor, E-Compass, G-Sensor, Gyroscope
I/O	Standard I/O	1 x Micro HDMI 1 x Micro USB 2.0 (host and charging) 1 x Micro SIM
	Extended I/O	1 x AIM extension 14-pin pogo connector: 1 x USB 2.0, 1 x 2-wire UART, 5V/1A power 1 x AIM dock 16-pin pogo connector: 1 x USB 3.0, 9V power
	Buttons	1 x Power 2 x Volume control 1 x Hotkey (default is barcode scanner trigger)
	LED	1 x Power/battery status indicator
	Wireless Communication	WLAN/Bluetooth IEEE 802.11 b/g/n, a/c optional, Bluetooth v4.0, Class 2 NFC 13.56 MHz, compatible with ISO 15693, ISO 14443A, ISO 14443B, FeliCa WWAN 4G LTE multi-device broadband for US (PCTRB), EU, CN, and JP
GNSS	Satellite System (Optional)	GPS, GLONASS, BDS
Power	Input Voltage	Micro USB: 5V/3A Dock pogo: 9V/2A
	Battery	Swappable battery: 1S2P 3.8V 18.6Wh
Mechanical	Dimensions (W x D x H)	142 x 240 x 14.5 mm (5.59 x 9.44 x 0.57 in)
	Weight	0.6 kg (1.32 lb)
Environment	Operating Temperature	-10 ~ 50 °C (14 ~ 122 °F); 0 ~ 40 °C (32 ~ 104 °F) when charging
	Storage Temperature	-20 ~ 60 °C (-4 ~ 140 °F)
	IP Rating	IP65
	Shock	Operating: 30 G, 11 ms Non-operating: 100 G, 6 ms
	Vibration	Operating/non-operating: IEC 60721-3-5 5M3 compliant
	Drop Tested	Up to 4 foot (120 cm) onto concrete
	Safety/EMC	UL, CB, LVD + Energy Star 6.1, CE, FCC, IC, VCCI, RCM, CCC, BSMI
	Certifications	RED, FCC ID, IC, TELEC, NCC, SRRC, RCM

Dimensions

Unit: mm



Front/Rear/Side I/O View



Ordering information

	Part Number	Configurations					
		CPU	Memory	Storage	Wi-Fi/BT/NFC	LTE	GPS
Win 10 IoT Enterprise	AIM-35AT-00101000	Intel® Atom™ x5-Z8350	2 GB	32 GB	V	X	X
	AIM-35AT-00107000	Intel® Atom™ x5-Z8350	2 GB	32 GB	V (a/c band)	X	X
	AIM-35AT-00108000	Intel® Atom™ x5-Z8350	2 GB	32 GB	V	V (NA)	V
	AIM-35AT-00104000	Intel® Atom™ x5-Z8350	2 GB	32 GB	V	V (EU)	V
	AIM-35AT-02301000	Intel® Atom™ x5-Z8350	4 GB	64 GB	V	X	X
	AIM-35AT-02307000	Intel® Atom™ x5-Z8350	4 GB	64 GB	V (a/c band)	X	X
	AIM-35AT-02308000	Intel® Atom™ x5-Z8350	4 GB	64 GB	V	V (NA)	V
	AIM-35AT-02304000	Intel® Atom™ x5-Z8350	4 GB	64 GB	V	V (EU)	V

	Part Number	Configurations					
		CPU	Memory	Storage	Wi-Fi/BT/NFC	LTE	GPS
Android 6.0	AIM-35AT-01101000	Intel® Atom™ x5-Z8350	2 GB	32 GB	V	X	X
	AIM-35AT-01107000	Intel® Atom™ x5-Z8350	2 GB	32 GB	V (a/c band)	X	X
	AIM-35AT-01108000	Intel® Atom™ x5-Z8350	2 GB	32 GB	V	V (NA)	V
	AIM-35AT-01104000	Intel® Atom™ x5-Z8350	2 GB	32 GB	V	V (EU)	V
	AIM-35AT-03301000	Intel® Atom™ x5-Z8350	4 GB	64 GB	V	X	X
	AIM-35AT-03307000	Intel® Atom™ x5-Z8350	4 GB	64 GB	V (a/c band)	X	X
	AIM-35AT-03308000	Intel® Atom™ x5-Z8350	4 GB	64 GB	V	V (NA)	V
	AIM-35AT-03304000	Intel® Atom™ x5-Z8350	4 GB	64 GB	V	V (EU)	V

Power Cord Ordering Information

P/N	Description
1700008921	Japan Power Cord PSE 3P 7A 125V 183cm
1700019146	China Power Cord CCC 3P 10A 250V 183cm
1700018553	AU Power Cord SAA 3P 10A 250V 183cm

P/N	Description
170203180A	UK Power Cord BSI 3P 10A 250V 183cm
170203183C	EU Power Cord EU 3P 2.5A 250V 183cm

VESA/Office Dock

Docking Station Series for AIM-35



Features

- 9 ~ 32 V wide input voltage range
- VESA (75 x 75 mm)-compliant docking stations
- -10 ~ 50 °C (14 ~ 122 °F) operating temperature
- Reliable docking connector for office applications

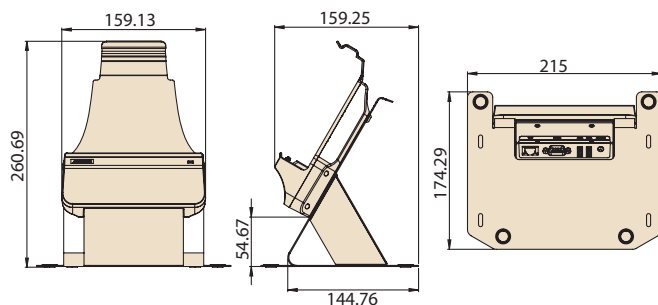
Specifications

		Office Docking Station (Full Config.)	Office Docking Station (Base Config)	VESA Docking Station (Full Config.)	VESA Docking Station with(Base Config)
I/O		2 x USB 3.0 1 x RS-232 COM 1 x Gigabit LAN 1 x Power jack	2 x USB 2.0 1 x Power jack	2 x USB 3.0 1 x RS-232 COM 1 x Gigabit LAN 1 x Power jack	2 x USB 2.0 1 x Power jack
Stand		SECC steel	SECC steel	N/A	N/A
Power	Input Voltage	9 ~ 32V	19V	9 ~ 32 V	19 V
Mechanical	Dimensions (W x D x H)	215 x 174.29 x 260.69 mm (8.5 x 6.9 x 10.3 in)	215 x 174.29 x 260.69 mm (8.5 x 6.9 x 10.3 in)	160 x 61.8 x 189.2 mm (6.3 x 2.4 x 7.4 in)	160 x 61.8 x 189.2 mm (6.3 x 2.4 x 7.4 in)
	Weight	0.75 kg (1.65 lb)	0.748 kg (1.64 lb)	0.282 kg (0.62 lb)	0.28 kg (0.61 lb)
Environment	Operating Temperature	-10 ~ 50 °C (14 ~ 122 °F)			
	Storage Temperature	-20 ~ 70 °C (-4 ~ 158 °F)			
	Safety	UL, CB, LVD, CCC			
	Certifications	CE, FCC, CCC			

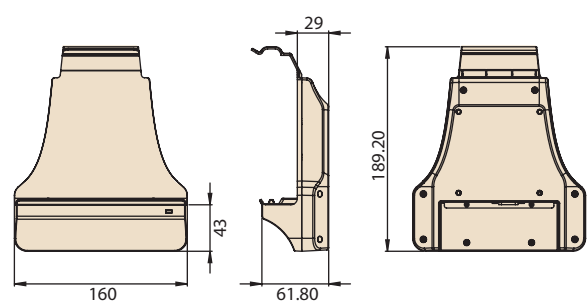
Dimensions

Unit: mm

Office Docking Station



VESA Advanced/VESA Docking Station



Ordering Information

Part Number	Description
AIM-P503A0	AIM-35 VESA Docking Station (USB)
AIM-P503B0	AIM-35 VESA Docking Station (Full Config)
AIM-P504A0	AIM-35 Office Docking Station (USB)
AIM-P504B0	AIM-35 Office Docking Station (Full Config)

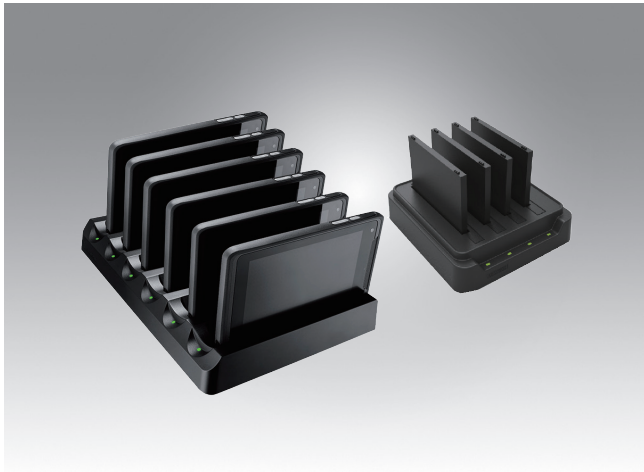
Power Cord Ordering Information

(Leverage AIM-35 Power Cord)

Part Number	Description
1700001524	Power cord (USA) UL 3P 10A 125V 183 cm
1700008921	Power cord (Japan) PSE 3P 7A 125V 183 cm
1700019146	Power cord (China) CCC 3P 10A 250V 183 cm
1700018553	Power cord (NZ/AU) SAA 3P 10A 250V 183 cm
170203180A	Power cord (UK) BSI 3P 10A 250V 183 cm
170203183C	Power cord (EU) 3P 2.5A 250V 183 cm

Multiple Charging Stations

Multi-Bay Charging Stations for AIM-35



Features

- Can charge up to 6 tablets/4 batteries simultaneously
- Overcurrent and overvoltage protection provided
- Rapid single-handed docking and undocking
- LED indicators for monitoring charging status

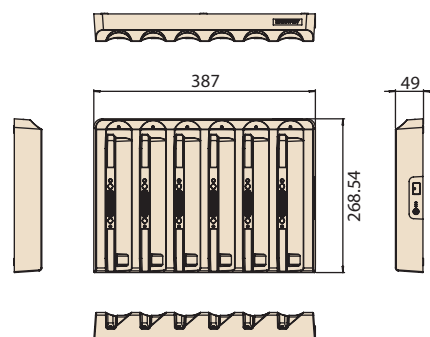
Specifications

		Multi-Tablet Charging Station	Multi-Battery Charging Station
Capacity	Number of Bays	6	4
	Charging Current	2A	2.5A
Power	Charging Voltage	9 V	4.35 V
	Input Voltage	19 V	19 V
	LED Indicators	Green: Full Amber: Charging Red: Error	Green: Full Amber: Charging Red: Error
Mechanical	Dimensions (W x D x H)	387 x 269 x 49 mm (15.23 x 10.59 x 1.92 in)	144 x 155 x 39 mm (5.66 x 6.10 x 1.53 in)
	Weight	1.98 kg (4.36 lb)	0.48 kg (1.05 lb)
Environment	Operating Temperature	0 ~ 40 °C (32 ~ 104 °F)	0 ~ 40 °C (32 ~ 104 °F)
	Storage Temperature	-10 ~ 50 °C (14 ~ 122 °F)	-10 ~ 50 °C (14 ~ 122 °F)
	Safety	UL, CB, LVD, CCC, RCM	UL, CB, LVD, CCC, RCM
	Certifications	CE, FCC, CCC, RCM, BSMI	CE, FCC, CCC, RCM, BSMI

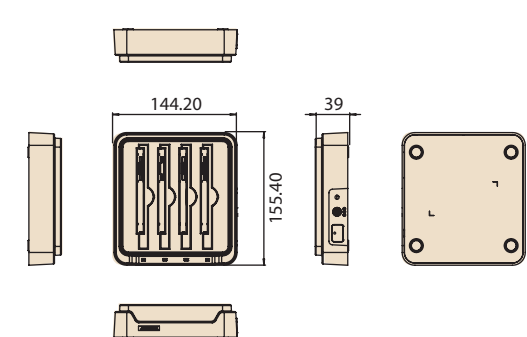
Dimensions

Unit: mm

Multi-Tablet Charging Station



Multi-Battery Charging Station



Ordering Information

Part Number	Description
AIM-CHG0-0150	AIM-35 6-in-1 tablet charging station
AIM-MBC0-0051	AIM-35 4-in-1 battery charging station

Power Cord Ordering Information

(Leverage AIM-35 Power Cord)

Part Number	Description
1700001524	Power cord (USA) UL 3P 10A 125V 183 cm
1700008921	Power cord (Japan) PSE 3P 7A 125V 183 cm
1700019146	Power cord (China) CCC 3P 10A 250V 183 cm
1700018553	Power cord (NZ/AU) SAA 3P 10A 250V 183 cm
170203180A	Power cord (UK) BSI 3P 10A 250V 183 cm
170203183C	Power cord (EU) 3P 2.5A 250V 183 cm