

AIM-37

10.1" Industrial Tablet-Based Mini POS System



Features

- Industrial-Grade Panel with Anti-Glare, Anti-Fingerprint LCD display supports MTBF up to 12,000 hours
- Equipped Gorilla® Glass 3 against scratch
- Built-in 2MP front camera and 5MP back camera
- IP54-Rated with water tolerance enhances operation
- Supports glove and stylus with palm detection to expand usability
- Built-in NFC Reader for various service
- Optional Built-in MSR / IC card reader/ 2D barcode scanner
- Expandability USB 2.0 Pogo Pins
- Battery supports up to 8 hours operation
- Support 75 cm native free drop protection without external protection
- Supports Android 6.0.1 & Windows 10 IoT Enterprise Operating Systems
- Swivel charging cradle with 80mm thermal printer
- USB.COM port, cash drawer expansion

Introduction

AIM-37 is an industrial-grade mobile point-of-sale (mPOS) system with a built-in barcode scanner and HD Corning® Gorilla® Glass display offering a mean time between failures (MTBF) of up to 12,000 hours. The system design is surprisingly thin (17 mm) with an IP54-rated front panel protection from water and dust, as well as a directly bonded touchscreen with water tolerance and palm rejection for enhanced operation. AIM-37 also supports multiple OS and optional modules configurations for flexible operations. Additionally, AIM-37 can be integrated with various peripherals and flexible installation mounts to support diverse applications.

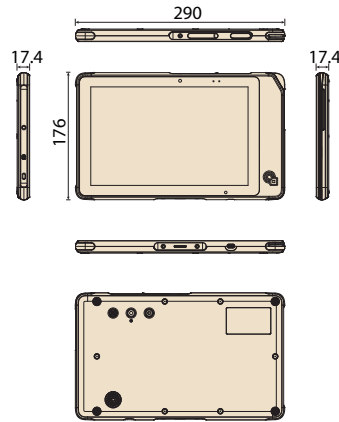
Specifications

| | | AIM-37AC-M | AIM-37AC-S |
|--------------------------|------------------------------|--|---|
| Computing System | CPU | Intel® Atom™ x5-Z8350 Processor | |
| | Max. Speed | 1.92GHz | |
| | On-board Memory | 4GB DDR3L | |
| | Operating System | Microsoft Windows 10 IoT Enterprise | Microsoft Windows 10 IoT Enterprise Android 6.0.1 |
| Storage | On-board eMMC | 64GB | |
| | Micro-SD | Micro-SD Card Slot for Storage Expansion up to 128GB | |
| Display | Display Type | 10.1" TFT IPS LCD Panel | |
| | Max. Resolution | WXGA, 1280x800, 350 nits | |
| | Touch Type | Projected Capacitive Multi-Touch | |
| | Glass Type | G/G Direct Bonding, Corning GG3 Glass | |
| Communication | WiFi | 802.11b/g/n/ac | |
| | Bluetooth | Bluetooth V4.2 | |
| | NFC | Read/ Write Device Compatible With ISO15693, ISO14443A, ISO14443B, Mifare, Felica | |
| Audio | | x1 80dB 1Watt SPK 0.5M, x1 Audio combo jack | |
| Connectivity | I/O Port Interfaces | x1 Micro USB 2.0 (OTG & Charging) x1 AIM Dock 6-pin Pogo Connector: USB 2.0 + Power | |
| | Camera | Front | 2MP Fixed Focus |
| | Rear | 5MP Auto Focus with LED Flash | |
| Sensor | | G-sensor + E-compass, Gyroscope, ALS | |
| Security | | Kensington security slot | |
| MSR | | 3-Track MSR with 3-DES encryption; Triple DES and AES Encryption; DUKPT key management | N/A |
| IC Card Reader | | EMV L1/L2 Certified 5V IC Card Reader; ISO/IEC 7816-1, 2, 3, 4; T=0 & T=1; supports TDES and AES encryption algorithms | N/A |
| Barcode scanner | | 1D/2D barcode scanner | N/A |
| Hard Buttons | | x1 Power Button x1 Functional Button | x1 Power Button x2 Volume Control Button x1 Functional Button |
| System Indicators | | x1 Power / Battery Status x1 Barcode scanner Status | |
| Power Input | Micro USB | DC 5V, Max 3A | |
| | 6-pin Pogo Connector | DC 5V, Max 3A | |
| Battery | Capacity | Embedded Lithium-ion battery Soft Pack (1S2P): 3.8V 7,900mAH (30 Watt) | |
| | Operating Temp | 0-40 °C (Charging) -10-50 °C (Discharging) | |
| Environment | Temperature | Operating: 0°C ~ +50°C, Storage: -10°C ~ +60°C | |
| | Operating & Storage Humidity | 5% ~ 95%(non-condensing) | |
| Ingress Protection | Dust/ Water Resistance | IP-54 (Except MSR / IC Card slot) | IP-54 compliant |
| Physical Characteristics | Dimensions (W x H x D) | 290 x 176 x 17.4 mm | |
| | Weight | 915g | 900g |
| | Color | Black + Orange / Black + Cool Gray | |
| Certifications | | CE/FCC/CB/UL/NCC/BSMI/CCC | |

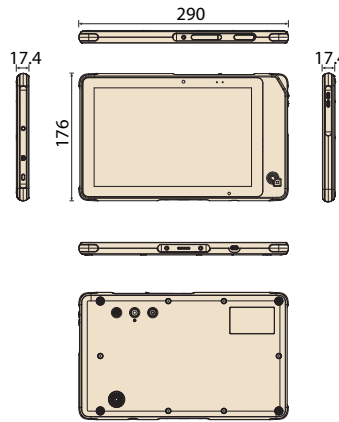
Dimensions

Unit: mm

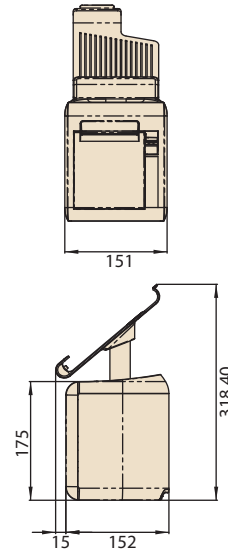
AIM-37AC-M



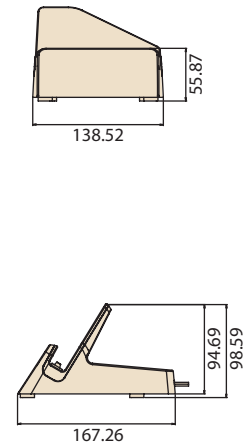
AIM-37AC-S



AIM-P701



AIM-P708



Ordering information

| Part Number | CPU | Memory | Storage | NFC/BT | 11AC WIFI | F-cam | R-cam | MSR/ICC | BCR | OS | Color | Adapter Plug |
|-------------------|-----------------------|--------|---------|--------|-----------|-------|-------|---------|-----|----------------------|--------------|--------------|
| AIM-37AC-M0ST0110 | Intel® Atom™ x5-Z8350 | 4GB | 64GB | V | V | 2MP | 5MP | V | V | Win10 IOT Enterprise | Orange+Black | US |
| AIM-37AC-M5ST0110 | Intel® Atom™ x5-Z8350 | 4GB | 64GB | V | V | 2MP | 5MP | V | V | Win10 IOT Enterprise | Orange+Black | CN |
| AIM-37AC-M6ST0110 | Intel® Atom™ x5-Z8350 | 4GB | 64GB | V | V | 2MP | 5MP | V | V | Win10 IOT Enterprise | Orange+Black | UK |
| AIM-37AC-M7ST0110 | Intel® Atom™ x5-Z8350 | 4GB | 64GB | V | V | 2MP | 5MP | V | V | Win10 IOT Enterprise | Orange+Black | EU |
| AIM-37AC-S0GR0100 | Intel® Atom™ x5-Z8350 | 4GB | 64GB | V | V | 2MP | 5MP | | | Win10 IOT Enterprise | Gray + Black | US |
| AIM-37AC-S5GR0100 | Intel® Atom™ x5-Z8350 | 4GB | 64GB | V | V | 2MP | 5MP | | | Win10 IOT Enterprise | Gray + Black | CN |
| AIM-37AC-S6GR0100 | Intel® Atom™ x5-Z8350 | 4GB | 64GB | V | V | 2MP | 5MP | | | Win10 IOT Enterprise | Gray + Black | UK |
| AIM-37AC-S7GR0100 | Intel® Atom™ x5-Z8350 | 4GB | 64GB | V | V | 2MP | 5MP | | | Win10 IOT Enterprise | Gray + Black | EU |
| AIM-37AC-S0GR0110 | Intel® Atom™ x5-Z8350 | 4GB | 64GB | V | V | 2MP | 5MP | | V | Win10 IOT Enterprise | Gray + Black | US |
| AIM-37AC-S5GR0110 | Intel® Atom™ x5-Z8350 | 4GB | 64GB | V | V | 2MP | 5MP | | V | Win10 IOT Enterprise | Gray + Black | CN |
| AIM-37AC-S6GR0110 | Intel® Atom™ x5-Z8350 | 4GB | 64GB | V | V | 2MP | 5MP | | V | Win10 IOT Enterprise | Gray + Black | UK |
| AIM-37AC-S7GR0110 | Intel® Atom™ x5-Z8350 | 4GB | 64GB | V | V | 2MP | 5MP | | V | Win10 IOT Enterprise | Gray + Black | EU |
| AIM-37AC-S0GR1100 | Intel® Atom™ x5-Z8350 | 4GB | 64GB | V | V | 2MP | 5MP | | | Android 6.0 | Gray + Black | US |
| AIM-37AC-S5GR1100 | Intel® Atom™ x5-Z8350 | 4GB | 64GB | V | V | 2MP | 5MP | | | Android 6.0 | Gray + Black | CN |
| AIM-37AC-S6GR1100 | Intel® Atom™ x5-Z8350 | 4GB | 64GB | V | V | 2MP | 5MP | | | Android 6.0 | Gray + Black | UK |
| AIM-37AC-S7GR1100 | Intel® Atom™ x5-Z8350 | 4GB | 64GB | V | V | 2MP | 5MP | | | Android 6.0 | Gray + Black | EU |
| AIM-37AC-S0GR1110 | Intel® Atom™ x5-Z8350 | 4GB | 64GB | V | V | 2MP | 5MP | | V | Android 6.0 | Gray + Black | US |
| AIM-37AC-S5GR1110 | Intel® Atom™ x5-Z8350 | 4GB | 64GB | V | V | 2MP | 5MP | | V | Android 6.0 | Gray + Black | CN |
| AIM-37AC-S6GR1110 | Intel® Atom™ x5-Z8350 | 4GB | 64GB | V | V | 2MP | 5MP | | V | Android 6.0 | Gray + Black | UK |
| AIM-37AC-S7GR1110 | Intel® Atom™ x5-Z8350 | 4GB | 64GB | V | V | 2MP | 5MP | | V | Android 6.0 | Gray + Black | EU |

Peripherals and Accessories

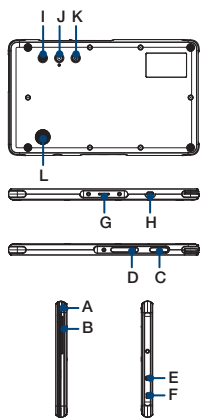
| P/N | Description |
|---------------|--|
| AIM-P701A0 | Charging , USB x 2, COM (RJ48 type) x 2, RJ11 x 1 80mm Thermal Printer, Auto cutter |
| AIM-P701B0 | Charging , USB x 2, COM (RJ48 type) x 2 |
| AIM-P702 | Hand strap |
| AIM-P703 | VESA Mounting Kit |
| AIM-P704 | Active Stylus |
| AIM-P705A0 | 10-in-1 pogo pin multiple charging station |
| AIM-P706 | Lightweight desktop kickstand |
| AIM-P708A0 | Simple cradle (Single I/O port) |
| AIM-P708C0 | Simple cradle (Rich I/O ports) |
| 1702002605 | AIM-P701/P705 Power cord 2P FRANCE 10A/16A 220V 1.83M 90D |
| 1702002600 | AIM-P701/P705 Power Cord 3P UL/CSA(USA) 125V 10A 1.83M 180D |
| 1700000596 | AIM-P701/P705 Power Cord (China) CCC, 10A 250V, 3P 1830mm |
| 1700018704 | AIM-P701/P705 Power Cord UK BSI 2P 10A 250V 180cm 18AWG |
| 1700022938-01 | AIM-P701/P705 Power cord KC 10A 250V 3P 3m DAC-ST01 |

Cradle Specifications

| | | | | | |
|-----------------|-----------------------|--|------------|---|--|
| Model Name | | AIM-P701A0 | AIM-P701B0 | AIM-P708A0 | AIM-P708C0 |
| Supported OS | | Windows 10 IoT Enterprise Android 6.0 | | | |
| Swivel | | 180° rotational | | | |
| Pogo Pin | | USB 2.0 5V/3A Charger | | 5V/3A Charger | 5V/3A Charger |
| Thermal Printer | Paper width | 80mm/58mm | | | |
| | Paper roll | 70mm diameter | | | |
| | Printing speed | 200mm / s | | | |
| | Paper cutter | Auto Cut | N/A | N/A | N/A |
| | Buttons | Open Door; Feed Paper | | | |
| | LEDs | Power indicator; error indicator | | | |
| I/O Port | | 1 x DC IN 2 x USB 2.0 Type A 2 x COM Port (RJ48) 1 x Cash Drawer (RJ11) | N/A | 1 x DC IN (micro USB type with 5V/3A input) 1 x USB 2.0 Type A | 1 x DC IN (DC Jack with 12V/3A input) 2 x USB 2.0 Type A 1 x COM Port (RS232) + 1 x RJ45 |
| Dimensions | | 151 x 152 x 318 mm | | | |
| Environment | Operating Temperature | 0 ~ 40° C | | | |
| | Storage Temperature | -10 ~ +60° C | | | |
| | Operating Humidity | 5% ~ 95%, non-condensing | | | |

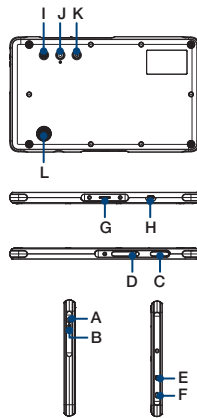
Fully-Integrated I/O

AIM-37AC-M



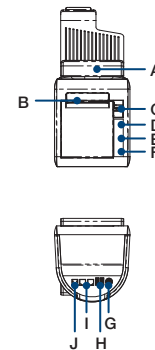
- A: MSR (Magnetic Swipe Card Reader)
- B: IC Card Reader
- C: 2D Barcode Scanner
- D: Micro SD Slot
- E: 3.5mm Audio Combo Jack
- F: Kensington Lock Slot
- G: Pogo Pin (DC-in and USB 2.0)
- H: Micro USB (2.0)
- I: Scanner Trigger
- J: 5MP Camera with LED Flash
- K: Power bottom
- L: Speaker

AIM-37AC-S



- A: Volume Up
- B: Volume Down
- C: Unused
- D: Micro SD Slot
- E: 3.5mm Audio Combo Jack
- F: Kensington Lock Slot
- G: Pogo Pin (DC-in and USB 2.0)
- H: Micro USB (2.0)
- I: Functional Button
- J: 5MP Camera with LED Flash
- K: Power bottom
- L: Speaker

AIM-P701



- A: Tablet Holder
- B: Auto Cutter
- C: Open Door
- D: Power Indicator
- E: Error Indicator
- F: Out of paper Indicator
- G: DC Jack
- H: USB Type A
- I: COM Port (RJ48)
- J: Cash Drawer (RJ11)