

AIM-37

10.1" Industrial Tablet-Based Mini POS System



Features

- Industrial-Grade Panel with Anti-Glare, Anti-Fingerprint LCD display supports MTBF up to 12,000 hours
- Equipped Gorilla® Glass 3 against scratch
- Built-in 2MP front camera and 5MP back camera
- IP54-Rated with water tolerance enhances operation
- Supports glove and stylus with palm detection to expand usability
- Built-in NFC Reader for various service
- Optional Built-in MSR / IC card reader/ 2D barcode scanner
- Expandability USB 2.0 Pogo Pins
- Battery supports up to 8 hours operation
- Support 75 cm native free drop protection without external protection
- Supports Android 6.0.1 & Windows 10 IoT Enterprise Operating Systems
- Swivel charging cradle with 80mm thermal printer
- USB.COM port, cash drawer expansion

Introduction

AIM-37 is an industrial-grade mobile point-of-sale (mPOS) system with a built-in barcode scanner and HD Corning® Gorilla® Glass display offering a mean time between failures (MTBF) of up to 12,000 hours. The system design is surprisingly thin (17 mm) with an IP54-rated front panel protection from water and dust, as well as a directly bonded touchscreen with water tolerance and palm rejection for enhanced operation. AIM-37 also supports multiple OS and optional modules configurations for flexible operations. Additionally, AIM-37 can be integrated with various peripherals and flexible installation mounts to support diverse applications.

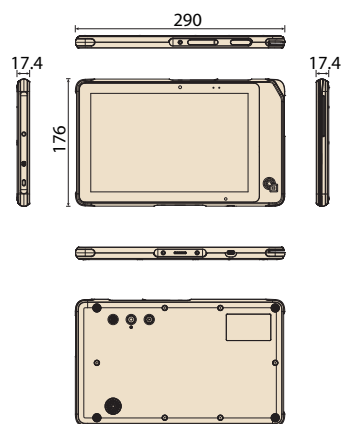
Specifications

		AIM-37AT-M	AIM-37-S
Computing System	CPU	Intel® Atom™ x5-Z8350 Processor	
	Max. Speed	1.92GHz	
	On-board Memory	2GB DDR3L-RS	
	Operating System	Microsoft Windows 10 IoT Enterprise	Microsoft Windows 10 IoT Enterprise Android 6.0.1
Storage	On-board eMMC	32GB	
	Micro-SD	Micro-SD Card Slot for Storage Expansion up to 128GB	
Display	Display Type	10.1" TFT IPS LCD Panel	
	Max. Resolution	WXGA, 1280x800, 350 nits	
	Touch Type	Projected Capacitive Multi-Touch	
	Glass Type	G/G Direct Bonding, Corning GG3 Glass	
Communication	WiFi	802.11b/g/n	
	Bluetooth	Bluetooth v4.0	
	NFC	Read/ Write Device Compatible With ISO15693, ISO14443A, ISO14443B, Mifare, Felica	
Audio	x1 80dB 1Watt SPK 0.5M, x1 Audio combo jack		
Connectivity	I/O Port Interfaces	x1 Micro USB 2.0 (OTG & Charging) x1 AIM Dock 6-pin Pogo Connector: USB 2.0 + Power	
	Camera	Front	2MP Fixed Focus
	Rear	5MP Auto Focus with LED Flash	
Sensor	G-sensor + E-compass, Gyroscope, ALS		
Security	Kensington security slot		
MSR	3-Track MSR with 3-DES encryption; Triple DES and AES Encryption; DUKPT key management		N/A
IC Card Reader	EMV L1/L2 Certified 5V IC Card Reader; ISO/IEC 7816-1, 2, 3, 4; T=0 & T = 1; supports TDES and AES encryption algorithms		N/A
Barcode scanner	1D/2D barcode scanner		N/A
Hard Buttons	x1 Power Button x1 Functional Button		x1 Power Button x2 Volume Control Button x1 Functional Button
System Indicators	x1 Power / Battery Status x1 Barcode scanner Status		
Power Input	Micro USB	DC 5V, Max 3A	
	6-pin Pogo Connector	DC 5V, Max 3A	
Battery	Capacity	Embedded Lithium-ion battery Soft Pack (1S2P): 3.8V 7,900mAH (30 Watt)	
	Operating Temp	0-40 °C (Charging) -10-50 °C (Discharging)	
Environment	Temperature	Operating: 0°C ~ +50°C, Storage: -10°C ~ +60°C	
	Operating & Storage Humidity	5% ~ 95%(non-condensing)	
Ingress Protection	Dust/ Water Resistance	IP-54 (Except MSR / IC Card slot)	IP-54 compliant
	Dimensions (W x H x D)	290 x 176 x 17.4 mm	
Physical Characteristics	Weight	915g	900g
	Color	Black + Orange / Black + Cool Gray	
Certifications	CE/FCC/CB/UL/NCC/BSMI/CCC		

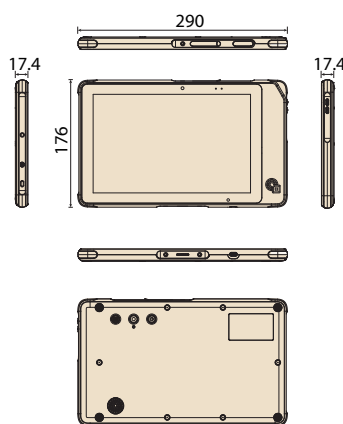
Dimensions

Unit: mm

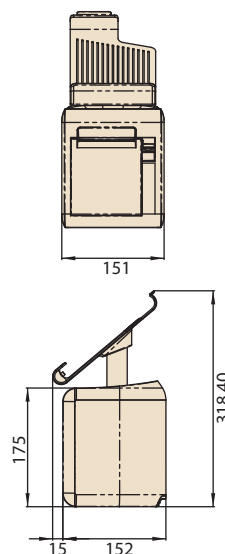
AIM-37AC-M



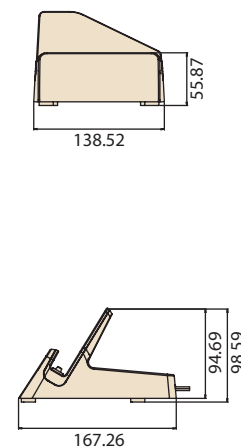
AIM-37AC-S



AIM-P701



AIM-P708



Ordering information

Part Number	CPU	Memory	Storage	NFC/BT	WiFi (b/g/n)	F-cam	R-cam	MSR/ICC	BCR	OS	Color	Adapter Plug
AIM-37AT-MOST0	Intel® Atom™ x5-Z8350	2GB	32GB	V	V	2MP	5MP	V	V	Win10 IOT Enterprise	Orange+Black	US
AIM-37AT-M5ST0	Intel® Atom™ x5-Z8350	2GB	32GB	V	V	2MP	5MP	V	V	Win10 IOT Enterprise	Orange+Black	CN
AIM-37AT-M6ST0	Intel® Atom™ x5-Z8350	2GB	32GB	V	V	2MP	5MP	V	V	Win10 IOT Enterprise	Orange+Black	UK
AIM-37AT-M7ST0	Intel® Atom™ x5-Z8350	2GB	32GB	V	V	2MP	5MP	V	V	Win10 IOT Enterprise	Orange+Black	EU
AIM-37AT-S0GR0	Intel® Atom™ x5-Z8350	2GB	32GB	V	V	2MP	5MP			Win10 IOT Enterprise	Gray + Black	US
AIM-37AT-S5GR0	Intel® Atom™ x5-Z8350	2GB	32GB	V	V	2MP	5MP			Win10 IOT Enterprise	Gray + Black	CN
AIM-37AT-S6GR0	Intel® Atom™ x5-Z8350	2GB	32GB	V	V	2MP	5MP			Win10 IOT Enterprise	Gray + Black	UK
AIM-37AT-S7GR0	Intel® Atom™ x5-Z8350	2GB	32GB	V	V	2MP	5MP			Win10 IOT Enterprise	Gray + Black	EU
AIM-37AT-S0GR1	Intel® Atom™ x5-Z8350	2GB	32GB	V	V	2MP	5MP			Android 6.0	Gray + Black	US
AIM-37AT-S5GR1	Intel® Atom™ x5-Z8350	2GB	32GB	V	V	2MP	5MP			Android 6.0	Gray + Black	CN
AIM-37AT-S6GR1	Intel® Atom™ x5-Z8350	2GB	32GB	V	V	2MP	5MP			Android 6.0	Gray + Black	UK
AIM-37AT-S7GR1	Intel® Atom™ x5-Z8350	2GB	32GB	V	V	2MP	5MP			Android 6.0	Gray + Black	EU
AIM-37AT-S0GB0	Intel® Atom™ x5-Z8350	2GB	32GB	V	V	2MP	5MP		V	Win10 IOT Enterprise	Gray + Black	US
AIM-37AT-S0GB1	Intel® Atom™ x5-Z8350	2GB	32GB	V	V	2MP	5MP		V	Android 6.0	Gray + Black	US
AIM-37AT-S7GB0	Intel® Atom™ x5-Z8350	2GB	32GB	V	V	2MP	5MP		V	Win10 IOT Enterprise	Gray + Black	EU
AIM-37AT-S7GB1	Intel® Atom™ x5-Z8350	2GB	32GB	V	V	2MP	5MP		V	Android 6.0	Gray + Black	EU

Peripherals and Accessories

P/N	Description
AIM-P701A0	Charging , USB x 2, COM (RJ48 type) x 2, RJ11 x 1 80mm Thermal Printer, Auto cutter
AIM-P701B0	Charging , USB x 2, COM (RJ48 type) x 2
AIM-P702	Hand strap
AIM-P703	VESA Mounting Kit
AIM-P704	Active Stylus
AIM-P705A0	10-in-1 pogo pin multiple charging station
AIM-P706	Lightweight desktop kickstand
AIM-P708A0	Simple cradle (Single I/O port)
AIM-P708C0	Simple cradle (Rich I/O ports)

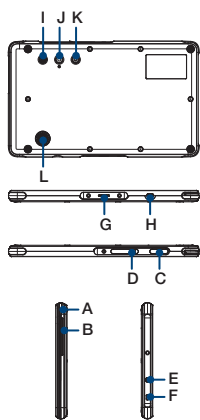
P/N	Description
1702002605	AIM-P701/P705 Power cord 2P FRANCE 10A/16A 220V 1.83M 90D
1702002600	AIM-P701/P705 Power Cord 3P UL/CSA(USA) 125V 10A 1.83M 180D
1700000596	AIM-P701/P705 Power Cord (China) CCC,10A 250V, 3P 1830mm
1700018704	AIM-P701/P705 Power Cord UK BSI 2P 10A 250V 180cm 18AWG
1700022938-01	AIM-P701/P705 Power cord KC 10A 250V 3P 3m DAC-ST01

Cradle Specifications

Model Name		AIM-P701A0	AIM-P701B0	AIM-P708A0	AIM-P708C0
Supported OS		Windows 10 IoT Enterprise Android 6.0			
Swivel		180° rotational			
Pogo Pin		USB 2.0 5V/3A Charger		5V/3A Charger	5V/3A Charger
Thermal Printer	Paper width	80mm/58mm			
	Paper roll	70mm diameter			
	Printing speed	200mm / s			
	Paper cutter	Auto Cut	N/A	N/A	N/A
	Buttons	Open Door; Feed Paper			
LEDs	Power indicator; error indicator				
I/O Port		1 x DC IN 2 x USB 2.0 Type A 2 x COM Port (RJ48) 1 x Cash Drawer (RJ11)	N/A	1 x DC IN (micro USB type with 5V/3A input) 1 x USB 2.0 Type A	1 x DC IN (DC Jack with 12V/3A input) 2 x USB 2.0 Type A 1 x COM Port (RS232) + 1 x RJ45
Dimensions		151 x 152 x 318 mm			
Environment	Operating Temperature	0 ~ 40° C			
	Storage Temperature	-10 ~ +60° C			
	Operating Humidity	5% ~ 95%, non-condensing			

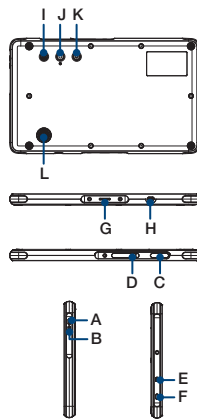
Fully-Integrated I/O

AIM-37AT-M



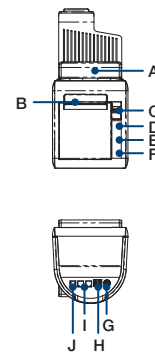
- A: MSR (Magnetic Swipe Card Reader)
- B: IC Card Reader
- C: 2D Barcode Scanner
- D: Micro SD Slot
- E: 3.5mm Audio Combo Jack
- F: Kensington Lock Slot
- G: Pogo Pin (DC-in and USB 2.0)
- H: Micro USB (2.0)
- I: Scanner Trigger
- J: 5MP Camera with LED Flash
- K: Power bottom
- L: Speaker

AIM-37AT-S



- A: Volume Up
- B: Volume Down
- C: Unused
- D: Micro SD Slot
- E: 3.5mm Audio Combo Jack
- F: Kensington Lock Slot
- G: Pogo Pin (DC-in and USB 2.0)
- H: Micro USB (2.0)
- I: Functional Button
- J: 5MP Camera with LED Flash
- K: Power bottom
- L: Speaker

AIM-P701



- A: Tablet Holder
- B: Auto Cutter
- C: Open Door
- D: Power Indicator
- E: Error Indicator
- F: Out of paper Indicator
- G: DC Jack
- H: USB Type A
- I: COM Port (RJ48)
- J: Cash Drawer (RJ11)