

AIM-38

10.1" Industrial Tablet for Retail Application Powered by Intel® Atom™ Processor



Features

- Intel® Atom™ processor for Windows 10 IoT & Android 6.0 operating systems
- 10.1" WUXGA full HD display with scratch-resistant Corning® Gorilla® Glass 3 and multi-touch PCAP control
- WLAN, BT, NFC & 4G LTE technologies for seamless communication
- Optional docking stations include vehicle, VESA, and desk docking stations
- Optional extension modules such as 1D/2D barcode scanners and LAN+COM module
- Optional accessories include the stylus, hand strap, and shoulder strap
- Additional modules and accessories can be customized according to application requirements



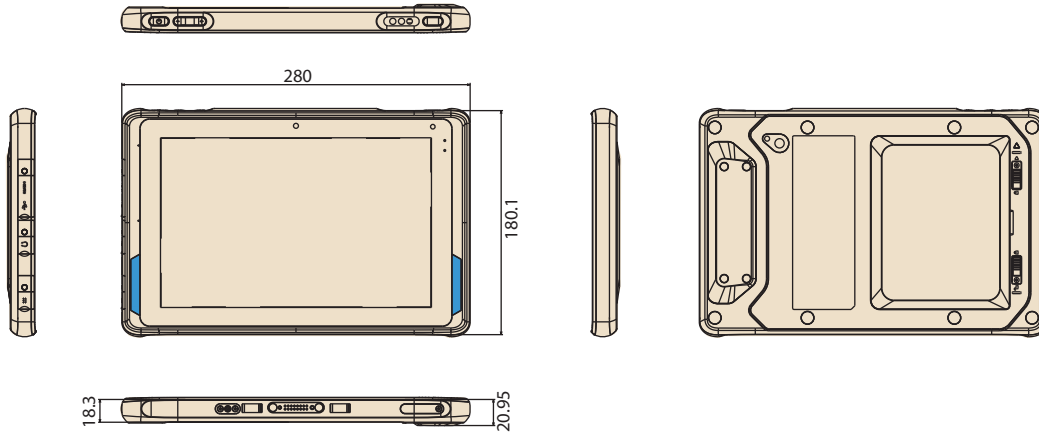
Specifications

System	Processor	Intel® Atom™ x7-Z8750 quad-core, 1.6 Ghz (2M cache, up to 2.56 Ghz)
	Memory	4 GB LPDDR3 (up to 8 GB)
	OS	Windows 10 IoT Enterprise, AIM Android 6.0
Storage	eMMC	64 GB default (up to 128 GB)
	Type	10.1" FHD LCD
Display	Resolution	WUXGA 1920 x 1200
	Brightness	380/800cd/m ² (optional)
	Construction	10-Point P-CAP multiple touch Corning® Gorilla® Glass 3
Audio	Speaker	2 x internal speaker(2W)
	Audio Jack	1 x audio combo jack, Combination of stereo audio output and mono microphone input
	Camera	2.0-megapixel auto-focus camera
Sensors	Rear	5.0-megapixel auto-focus camera with LED flash
		Ambient Light Sensor, G-sensor / eCompass
Barcode Scanner	Barcode Scanner (Optional)	Integrated 1D/2D barcode scanner
	Standard I/O	1 x Micro HDMI, 1 x USB 3.0, 1 x Combo audio jack, 1 x 19 Vdc-in jack, 1 x SIM card reader, 1 x Micro SD card reader
I/O Interface	Extended I/O	1 x AIM module pogo pin connector at rear, supporting AIM extension modules
	Docking	1 x 16 pin pogo pin connector
	Buttons	1 x Power button, 2 x Volume keys (Up/Down), 1 x Programmable key
	LED Indicator	Full: Green (100%), Charging: Blue, Low: Red (≤10%)
Wireless Communication	WLAN/Bluetooth	IEEE 802.11a/b/g/n/ac, Bluetooth® v4.1
	WWAN (Optional)	4G LTE module with AGPS
	NFC	13.56 MHz
GNSS	Satellite System (Optional)	Standalone GPS supports GLONASS, Beidou
	Power Adapter	Input: 100-240 V ~ 1.5 A 50/60 Hz, Output: 19 V, Max.65 W
Power System	Battery	Hot-swappable smart battery with capacity LED indicators. Capacity: 26 WHr Operating time: Approx. 5.5hrs
	Dimensions (W x D x H)	280 x 18.3 x 180.1 mm (11 x 0.7 x 7.1 in)
Environment	Weight	Approx. 980 g (2.2 lb)
	Operating Temperature	-10 ~ 50 °C (14 ~ 122 °F)
	Storage Temperature	-20 ~ 70 °C (-4 ~ 158 °F)
	IP Rating	IP65
	Shock	Operating: 10~20 G, 11 ms, Non-operating: 50 G, 11 ms
	Vibration	Operating: (5~500 Hz) 0.5~1 G, Non-Operating: (5~500 Hz) 0.04 PSD
	Humidity	Operating: 10 ~ 90% @ 40 °C non-condensing Storage: -10 ~ 95% non-condensing
	Altitude	Operating: sea level 0 to 3048m (10k ft), Storage: sea level 0 to 12192m (40k ft)
	Drop Tested	Up to 120cm (4 ft) on to plywood over concrete
	Certifications/Safety/EMC	CE, CB, VCCI, UL60950 (ITE), UL2054, UN38.3, IEC62133, PSE for battery pack, FCC ID/PTCRB/R&TTE/SRR/TELEC, FCC15 Class B, CE Mark (DOC Class B), REACH, RoHS

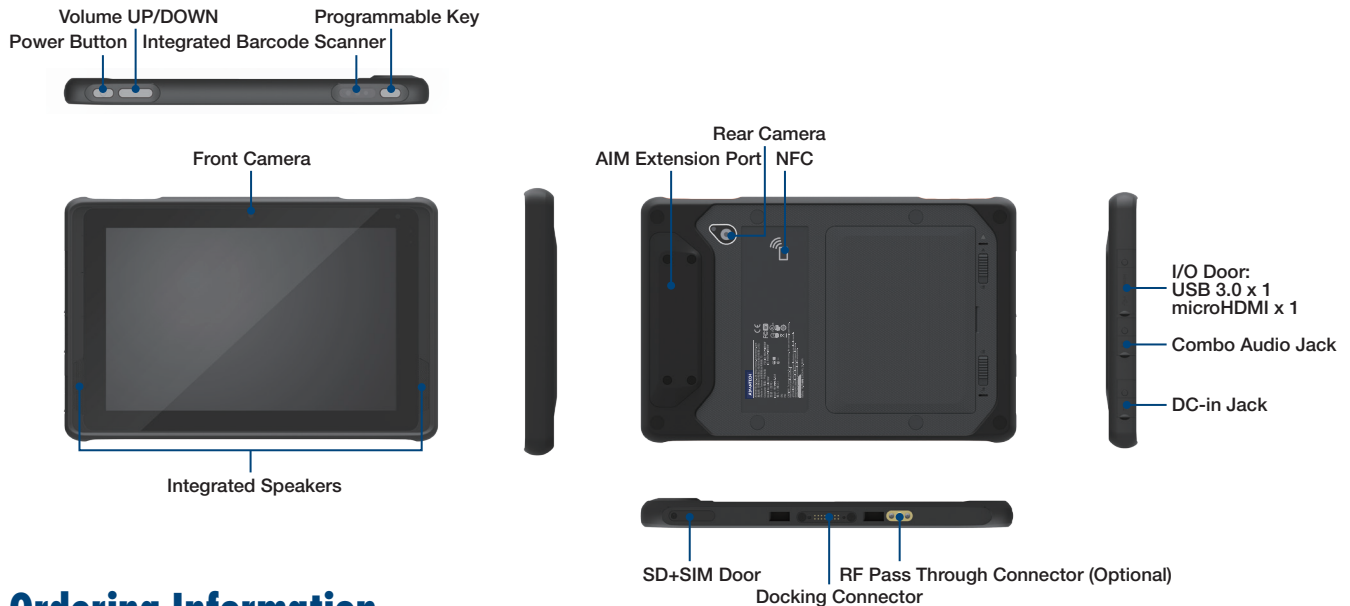
*: Battery operation and recharge time vary based on various factors, including screen brightness, applications, features, power management, battery condition and other customer preferred settings. Testing method: JEITA 2.0

Dimensions

Unit: mm



Front/Rear/Side I/O View



Ordering Information

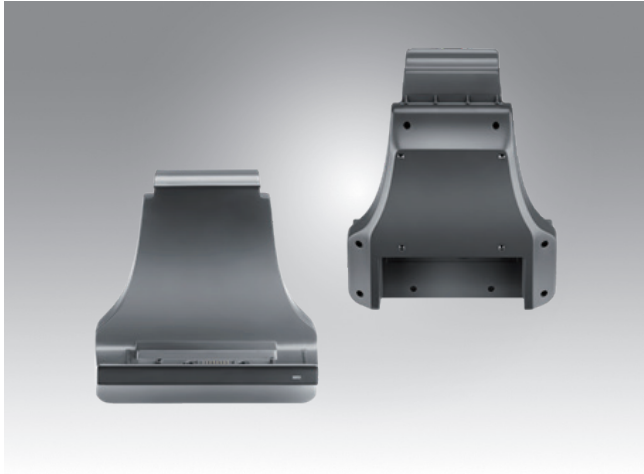
Part Number	Configurations		Memory	Storage	LCD	NFC	Wi-Fi/BT	LTE+GPS	F-Cam	R-Cam	OS
	Color	CPU									
AIM-38CT-C2101000	Black	Intel® CHT Z8750	4 GB	64 GB	380 nits	V	V	X	2 MP	5 MP	Win 10 IoT Enterprise
AIM-38CT-C2103000	Black	Intel® CHT Z8750	4 GB	64 GB	380 nits	V	V	V (NA)	2 MP	5 MP	Win 10 IoT Enterprise
AIM-38CT-C2105000	Black	Intel® CHT Z8750	4 GB	64 GB	380 nits	V	V	V (EU)	2 MP	5 MP	Win 10 IoT Enterprise
AIM-38CT-C2104000	Black	Intel® CHT Z8750	4 GB	64 GB	800 nits	V	V	V (NA)	2 MP	5 MP	Win 10 IoT Enterprise
AIM-38CT-C2106000	Black	Intel® CHT Z8750	4 GB	64 GB	800 nits	V	V	V (EU)	2 MP	5 MP	Win 10 IoT Enterprise
AIM-38CT-C3101000	Black	Intel® CHT Z8750	4 GB	64 GB	380 nits	V	V	X	2 MP	5 MP	Android 6.0
AIM-38CT-C3103000	Black	Intel® CHT Z8750	4 GB	64 GB	380 nits	V	V	V (NA)	2 MP	5 MP	Android 6.0
AIM-38CT-C3105000	Black	Intel® CHT Z8750	4 GB	64 GB	380 nits	V	V	V (EU)	2 MP	5 MP	Android 6.0
AIM-38CT-C3104000	Black	Intel® CHT Z8750	4 GB	64 GB	800 nits	V	V	V (NA)	2 MP	5 MP	Android 6.0
AIM-38CT-C3106000	Black	Intel® CHT Z8750	4 GB	64 GB	800 nits	V	V	V (EU)	2 MP	5 MP	Android 6.0

Optional Accessories

Part Number	Description
1700001947	Power Cord UL 2P 7A 125V 183cm
1700002141	Power Cord PSE 2P 7A 125V 183cm
1700008972	Power Cord CCC 2P 2.5A 250V 183cm
1700001948-11	Power Cord EU 2P 2.5A 250V 183cm

VESA Dock

VESA Docking Station for AIM-38



Features

- 9 ~ 32 V wide input voltage range
- VESA (75 x 75 mm)-compliant docking stations
- -10 ~ 50 °C (14 ~122 °F) operating temperature
- Reliable docking connector for office applications

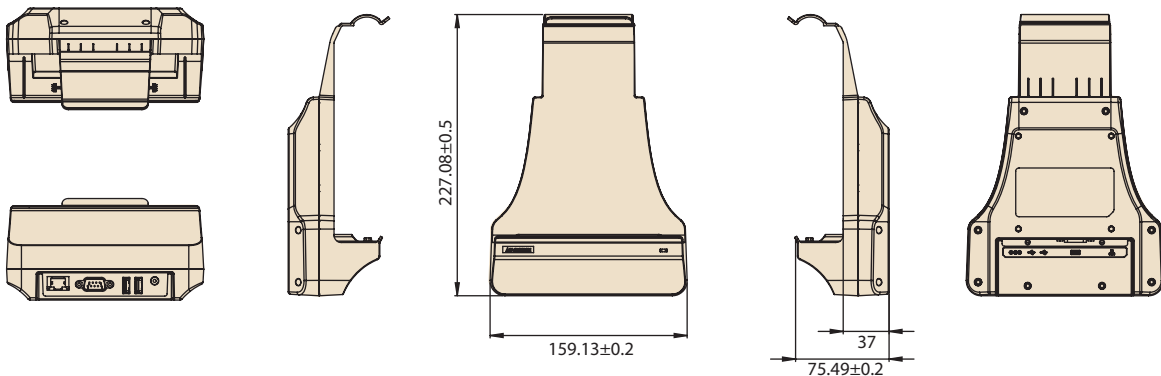
CE FCC

Specifications

		AIM 10 VESA Advanced Dock	AIM 10 VESA Dock with USB
I/O		AIM 10 VESA Advanced Dock 2 x USB 3.0/2.0 1 x RS-232 COM 1 x Gigabit LAN 1 x Power jack	AIM 10 VESA Dock with USB 2 x USB 2.0 1 x Power jack
Stand		N/A	N/A
Power	Input Voltage	9 ~ 32V	19V
Mechanical	Dimensions (W x D x H)	159.13 x 75.49 x 227 mm (6.3 x 2.9 x 8.9 in)	159.13 x 75.49 x 227 mm (6.3 x 2.9 x 8.9 in)
	Weight	0.282 kg (0.62 lb)	0.28 kg (0.61 lb)
Environment	Operating Temperature	-10 ~ 50 °C (14 ~122 °F); 0 ~ 40 °C (32 ~104 °F) for charging	-10 ~ 50 °C (14 ~122 °F); 0 ~ 40 °C (32 ~104 °F) for charging
	Storage Temperature	-20 ~ 70 °C (-4 ~ 158 °F)	-20 ~ 70 °C (-4 ~ 158 °F)
	Safety	UL, CB, LVD, CCC	UL, CB, LVD, CCC
	Certifications	CE, FCC, CCC	CE, FCC, CCC

Dimensions

Unit: mm



Ordering Information

Part Number	Description
AIM-VSD0-0470	AIM 10 VESA Advanced Dock
AIM-VSD0-0471	AIM 10 VESA Dock with USB

Desk Dock

Desk Docking Station for AIM-38



Features

- 10 ~ 50 °C (14 ~122 °F) operating temperature
- Reliable docking connector for office applications

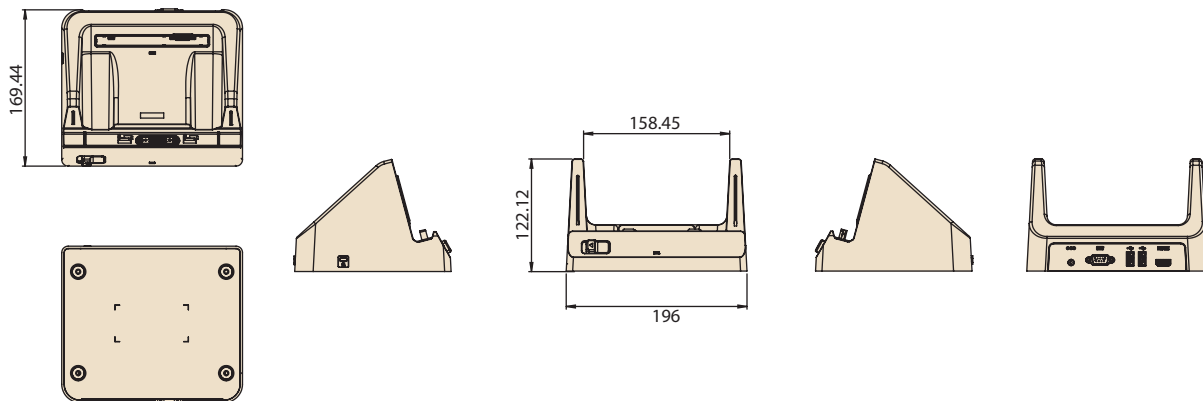
CE FCC CCC

Specifications

		AIM 10 Desk Advanced Docking Station	AIM 10 Desk Docking Station
I/O		2 x USB 2.0 1 x RS-232 COM 1 x Power jack 1 x HDMI	2 x USB 2.0 1 x Power jack
Power	Input Voltage	19V	19V
Mechanical	Dimensions (W x D x H)	196 x 169.44 x 122.12 mm (7.72 x 6.67 x 4.81 in)	196 x 169.44 x 122.12 mm (7.72 x 6.67 x 4.81 in)
	Weight	0.745 kg (1.64 lb)	0.73 kg (1.60 lb)
Environment	Operating Temperature	-10 ~ 50 °C (14 ~122 °F); 0 ~ 40 °C (32 ~104 °F) for charging	-10 ~ 50 °C (14 ~122 °F); 0 ~ 40 °C (32 ~104 °F) for charging
	Storage Temperature	-20 ~ 70 °C (-4 ~ 158 °F)	-20 ~ 70 °C (-4 ~ 158 °F)
	Safety	CE, FCC, CCC	UL, CB, LVD, CCC
	Certifications	UL, CB, LVD, CCC	CE, FCC, CCC

Dimensions

Unit: mm



Ordering Information

Part Number	Description
AIM-OFD0-0480	AIM 10 Desk Advanced Docking Station
AIM-OFD0-0481	AIM 10 Desk Docking Station

Multiple Charging Station

Multi-Bay Charging Station for AIM-38



Features

- Can charge up to 4 batteries simultaneously
- Overcurrent and overvoltage protection provided
- LED indicators for monitoring charging status

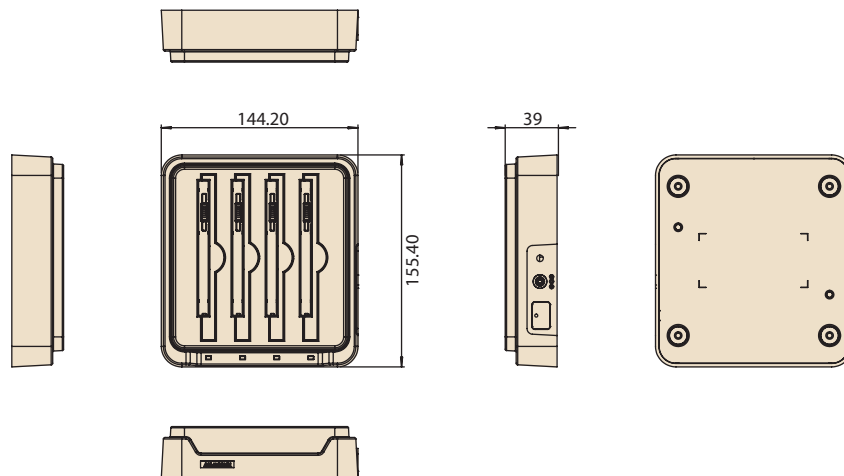


Specifications

		Multi-Bay Charging Station for AIM
Capacity	Number of Bays	4
	Charging Current	1 A
Power	Charging Voltage	12.6 V
	Input Voltage	19 V
	LED Indicators	Green: Full Amber: Charging Red: Error
Mechanical	Dimensions (W x D x H)	144.2 x 155.4 x 39 mm (5.7 x 6.1 x 1.5 in)
	Weight	0.48 kg (1.05 lb)
	Operating Temperature	0 ~ 40 °C (32 ~ 104 °F)
Environment	Storage Temperature	-10 ~ 50 °C (14 ~ 122 °F)
	Safety	UL, CB, LVD, CCC, RCM
	Certifications	CE, FCC, CCC, RCM, BSMI

Dimensions

Unit: mm



Ordering Information

Part Number	Description
AIM-MBC0-0051	Multi-Bay Charging Station for AIM