

# AIM-55

## 8" Medical-Grade Tablet with Intel® Atom™ Processor and PCAP Touchscreen



### Features

- Intel® Atom™ processor with support for both Windows and Android OS
- 8" full HD projected capacitive touchscreen with scratch-resistant Corning® Gorilla® Glass
- Supports active stylus pen, gloved operation, and palm detection for increased usability
- IP65-rated protection from water and dust ingress
- 4-ft drop tolerance
- AIM extension 14-pin pogo connector supports 1D/2D barcode scanner (20°/70°) and LAN COM extension modules
- AIM dock 16-pin pogo connector supports optional peripherals (VESA dock and stand, multi-tablet charging station, and multi-battery charging station)

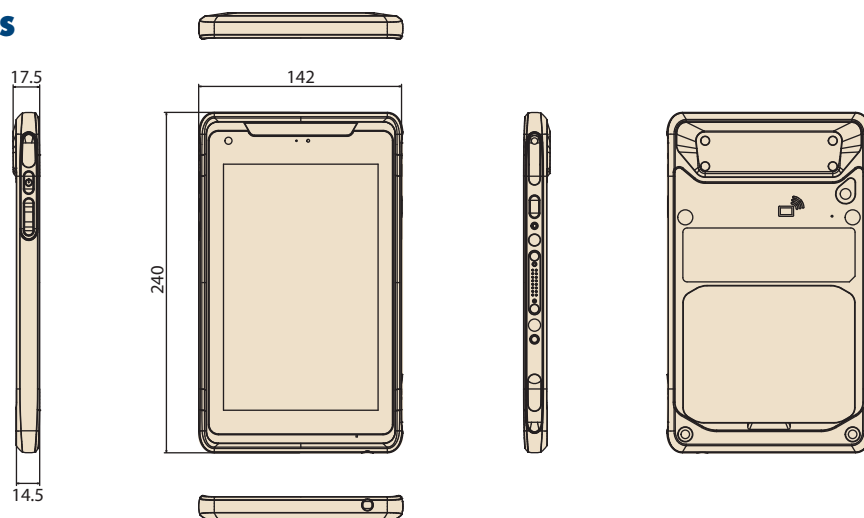
### Introduction

AIM-55 is an 8" medical-grade tablet that features a full HD screen with projected capacitive touch control, IP65-rated ingress protection, and Windows/Android operating system. Aimed at healthcare applications, AIM-55 can be equipped with optional extension modules and peripherals that enable seamless communication and unlimited mobility for diverse usage scenarios. Moreover, the tablet can be integrated with a range of optional docking cradles and stands for flexible operation in various healthcare environments.

### Specifications

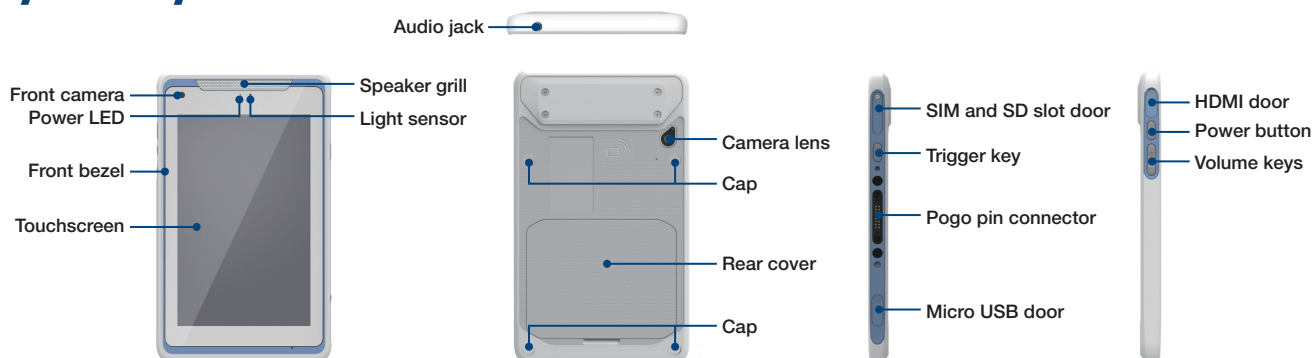
System	Processor	Intel® Atom™ x5-Z8350 quad-core, 1.6 GHz (1.44 GHz)
	Memory	4 GB LPDDR3
	OS	Windows 10 IoT Enterprise, Android 6.0
Storage	eMMC	64 GB
	Micro-SD	Up to 256 GB
Display	Type	8" IPS LCD
	Resolution	WUXGA 1920 x 1200
	Brightness	400 cd/m <sup>2</sup>
	Touch Type	10-point, multi-touch projected capacitive
	Glass Type	Corning® Gorilla® Glass 3
Communication	WLAN	IEEE 802.11 b/g/n
	Bluetooth	Bluetooth® v4.0 Class 2
	NFC	13.56 MHz, compatible with ISO15693, ISO14443A, ISO 14443B, FeliCa
Connectivity	Standard I/O	1 x micro HDMI, 1 x micro USB 2.0 (host and charger), 1 x combo audio jack, 1 x SIM card slot, 1 x micro SD slot
	Extended I/O	1 x AIM extension 14-pin pogo connector: 1 x USB 2.0, 1 x 2-wire UART, 5V/1A power
	Docking	1 x AIM dock 16-pin pogo connector: 1 x USB 3.0, 9V power
Audio	Speaker	2 x Internal speakers (1W)
	Audio Jack	1 x Audio combo jack (combines stereo audio output and mono microphone input)
Camera	Front	2.0-megapixel fixed-focus camera
	Rear	5.0-megapixel auto-focus camera with LED flash
Sensors		Ambient light sensor, e-compass, g-sensor, gyroscope
Control Buttons		1 x Power button, 2 x volume keys (up/down), 1 x programmable function key
Battery Capacity Indicators		Green: full (100%); blue: charging; red: low (≤10%)
Power	Input Voltage	Micro USB: 5V/3A Dock pogo: 9V/2A
	Battery	4900 mAh (minimum), 18.6 WHr; swappable Operating time: Up to 6 hours (dependent on usage scenario) Charging time: 3 hours
Environment	Operating Temperature	0 ~ 30 °C/32 ~ 86 °F
	Storage Temperature	-20 ~ 60 °C/-4 ~ 140 °F
	IP Rating	IP65
	Shock	Operating: SAE J1455 compliant; non-operating: IEC 60721-3-5 5M3 compliant
	Vibration	SAE J1455
	Humidity	Operating: 10 ~ 90% @ 30 °C non-condensing Storage: -10 ~ 95% non-condensing
Physical Characteristics	Drop Tested	Up to 120 cm/4 ft onto plywood over concrete
	Dimensions (W x D x H)	240 x 142 x 14.5 mm/9.44 x 5.59 x 0.57 in
	Weight	600 g/1.32 lb
Certifications	Color	White/blue
		CE/FCC Class B, UL60601-1, EN60601-1, EN1789, TELEC, VCCI, BSMI, NCC, CCC, SRRC

## Dimensions



Unit: mm

## System Layout



## Ordering Information

### Medical-Grade Tablets

Part Number	Description
AIM-55AT-12301001	Intel® Atom™ x5-Z8350 1.44 GHz CPU, 4GB memory, 64GB storage, Wi-Fi module, Win 10 IoT (64 bit)
AIM-55AT-13301001	Intel® Atom™ x5-Z8350 1.44 GHz CPU, 4GB memory, 64GB storage, Wi-Fi module, Android 6.0

## Peripherals

Part Number	Description
AIM-BCRS-0020	Barcode scanner 20° (Honeywell n3680 scan engine)
AIM-BCRS-0070	Barcode scanner 70° (Honeywell n3680 scan engine)
AIM-LANC-0001	LAN COM (1 x RJ45, 1 x COM)
AIM-SRPO-0000	Hand strap
AIM-SRPO-0001	Shoulder strap (portrait)
AIM-SRPO-0002	Shoulder strap (landscape)
AIM-VSD0-0001	AIM-55 VESA dock with full I/O
AIM-VSD0-0003	AIM-55 VESA dock with USB and charger only
HIT-STD-W001-C	VESA dock stand
AIM-P704	EETi active stylus
AIM-MTCS-0001	Multi-tablet charging station
AIM-MBCS-0001	Multi-battery charging station

## Optional Accessories

Part Number	Description
Y5AAIM5500	AIM-55 power cable, white, (US), (Pihong)
XAIM-A19WMUSB-M	Adaptor MM18M-59A-R for medical devices (Pihong)
1700001524	Power cable, UL, 3P, 10A, 125V, 183 cm (US)
1700008921	Power cable, PSE, 3P, 7A, 125V, 183 cm (Japan)
1700019146	Power cable, CCC, 3P, 10A, 125V, 183 cm (China)
1700018553	Power cable, SAA, 3P, 2.5A, 250V, 183 cm (Australia/NZ)
170203180A	Power cable, BSI, 3P, 2.5A, 250V, 183 cm (UK)
170203183C	Power cable, CE, 3P, 10A, 250V, 183 cm (EU)

Note: The above power cables are suitable for AIM-55, AIM-VSD, and AIM-MCS.

## Packing List

Description
1 x AIM-55
1 x Lithium-ion battery (3.8V/490mAh)
1 x AC adaptor
1 x Power cable (TW/US)

# AIM-55 Office /VESA Docking Station



CE FCC

## Features

- 9 ~ 32 V input voltage range
- VESA (75 x 75 mm) compliant docking station
- -10 ~ 50 °C/14 ~ 122 °F operating temperature
- Reliable docking connector for office applications

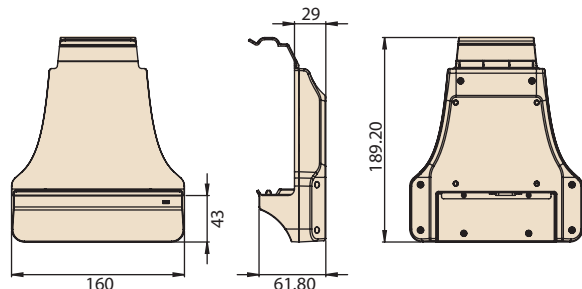
## Specifications

		Advanced VESA Docking Station	Basic VESA Docking Station
I/O		2 x USB 3.0 1 x RS-232 COM 1 x Gigabit LAN 1 x Power jack	2 x USB 2.0 1 x Power jack
Stand		-	-
Power	Input Voltage	9 ~ 32 V	19 V
Mechanical	Dimensions (W x D x H)	160 x 61.8 x 189.2 mm/6.3 x 2.4 x 7.4 in	160 x 61.8 x 189.2 mm/6.3 x 2.4 x 7.4 in
	Weight	0.282 kg/0.62 lb	0.28 kg/0.61 lb
Environment	Operating Temperature	-10 ~ 50 °C/14 ~ 122 °F	-10 ~ 50 °C/14 ~ 122 °F
	Storage Temperature	-20 ~ 70 °C/-4 ~ 158 °F	-20 ~ 70 °C/-4 ~ 158 °F
	Safety	UL, CB, LVD, CCC	UL, CB, LVD, CCC
	Certifications	CE, FCC, CCC	CE, FCC, CCC

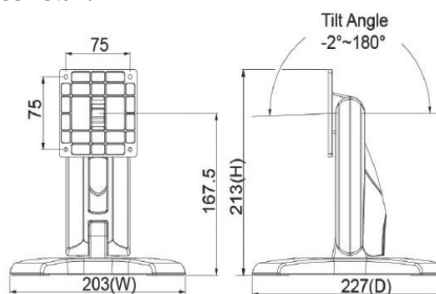
## Dimensions

Unit: mm

### Advanced/Basic VESA Docking Station



### VESA Dock Stand



## Ordering Information

Part Number	Description
AIM-VSD0-0001	AIM 8 advanced VESA docking station (full I/O)
AIM-VSD0-0003	AIM 8 basic VESA docking station (USB and charger only)
HIT-STD-W001-C	AIM 8 VESA stand

## Packing List

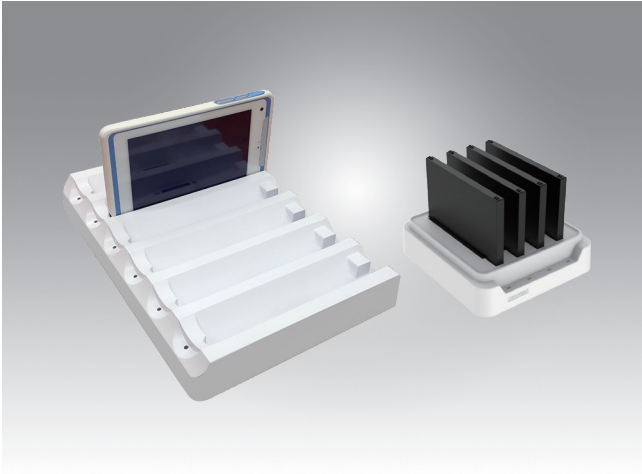
Item	AIM-VSD0-0001	AIM-VSD0-0003
1	1 x VESA dock with full I/O	1 x VESA dock (USB and charger only)
2	1 x AC/DC adaptor	1 x AC/DC adaptor

Note: The above products do not include a power cable. Customers must order them separately for the specific country of use.

## Optional Accessories

Part Number	Description
96PSA-A65W19V1-3	Adaptor A/D 100 ~ 240V, 65W, 19V, C6 DC plug 180° 62368
1700001524	Power cable, UL, 3P, 10A, 125V, 180 cm (US)
1700008921	Power cable, PSE, 3P, 7A, 125V, 183 cm (Japan)
1700019146	Power cable, CCC, 3P, 10A, 125V, 183 cm (China)
1700018553	Power cable, SAA, 3P, 2.5A, 250V, 183 cm (Australia/NZ)
170203180A	Power cable, BSI, 3P, 2.5A, 250V, 183 cm (UK)
170203183C	Power cable, CE, 3P, 10A, 250V, 183 cm (EU)

# AIM-55 Multi-Bay Charging Station



## Features

- Supports charging of up to 6 tablets/4 batteries simultaneously
- Overcurrent and overvoltage protection provided
- Rapid single-handed docking and undocking
- LED indicators for monitoring charging status



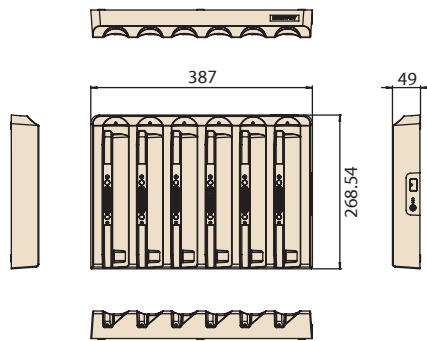
## Specifications

		Multi-Tablet Charging Station	Multi-Battery Charging Station
Capacity	Number of Bays	6	4
	Charging Current	2A	2.5A
Power	Charging Voltage	9 V	4.35 V
	Input Voltage	19 V	19 V
LED Indicators		Green: full	Green: full
		Amber: charging	Amber: charging
		Red: error	Red: error
Mechanical	Dimensions (W x D x H)	387 x 269 x 49 mm/15.23 x 10.59 x 1.92 in	144 x 155 x 39 mm/5.66 x 6.10 x 1.53 in
	Weight	1.98 kg/4.36 lb	0.48 kg/1.05 lb
Environment	Operating Temperature	0 ~ 40 °C/32 ~ 104 °F	0 ~ 40 °C/32 ~ 104 °F
	Storage Temperature	-10 ~ 50 °C/14 ~ 122 °F	-10 ~ 50 °C/14 ~ 122 °F
	Safety	UL, CB, LVD, CCC, RCM	UL, CB, LVD, CCC, RCM
	Certifications	CE, FCC, CCC, RCM, BSMI	CE, FCC, CCC, RCM, BSMI

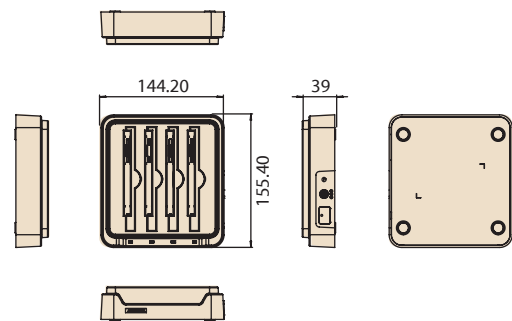
## Dimensions

Unit: mm

### Multi-Tablet Charging Station



### Multi-Battery Charging Station



## Ordering Information

Part Number	Description
AIM-MTCS-0001	Multi-tablet charging station for AIM
AIM-MBCS-0001	Multi-battery charging station for AIM

## Optional Adapter

Model	Part Number	Description
AIM-MTCS-0001	96PSA-A120W19V1	Adaptor A/D 100 ~ 240V, 120W, 19V, C6 DC jack
AIM-MBCS-0001	96PSA-A65W19V1-3	Adaptor A/D 100 ~ 240V, 65W, 19V, C6 DC plug 180° 62368

## Packing List

Item	AIM-MTCS-0001	AIM-MBCS-0001
1	1 x Multi-tablet charging station	1 x Multi-battery charging station
2	1 x AC/DC adaptor	1 x AC/DC adaptor

Note: The above products do not include a power cable. Customers must order them separately for the specific country of use.

## Optional Power Cord

Part Number	Description
1700001524	Power cable, UL, 3P, 10A, 125V, 180 cm (US)
1700008921	Power cable, PSE, 3P, 7A, 125V, 183 cm (Japan)
1700019146	Power cable, CCC, 3P, 10A, 125V, 183 cm (China)
1700018553	Power cable, SAA, 3P, 2.5A, 250V, 183 cm (Australia/NZ)
170203180A	Power cable, BS1, 3P, 2.5A, 250V, 183 cm (UK)
170203183C	Power cable, CE, 3P, 10A, 250V, 183 cm (EU)