

AIM-65

8" Industrial-Grade Tablet with Intel® Atom™ Processor



Features

- Intel® Atom™ processor for Windows 10 IoT and AIM Android 6.0
- 8" WUXGA full HD display with scratch-resistant Corning® Gorilla® Glass 3 and multi-touch PCAP control
- WLAN, BT, NFC, 3G/ 4G LTE technology for seamless communications
- Optional extension include 1D/2D barcode scanner, LAN+COM module, UHF RFID module
- Light weight design and multi-tablet charging station allows to reduce downtime of operations

SOTI

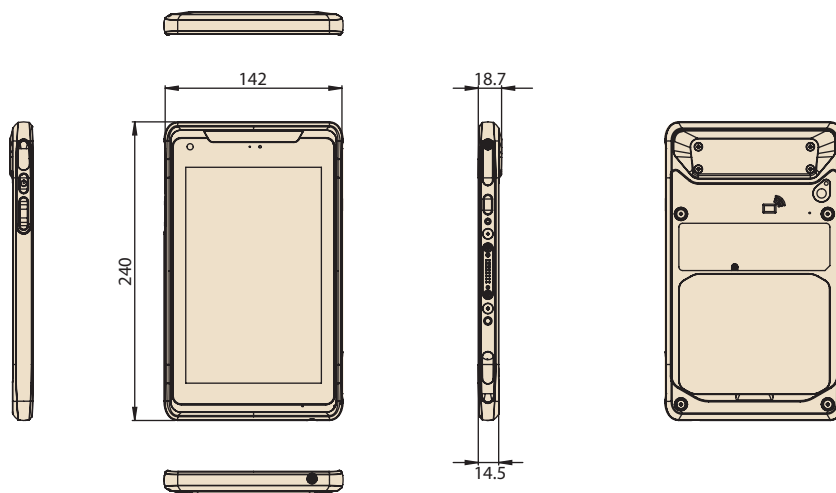


Specifications

| | | |
|------------------------|----------------------------------------|-------------------------------------------------------------------------------------------------------------------------------------------------|
| System | Processor | Intel® Atom™ quad-core x5-Z8350 (1.44 GHz) |
| | Memory | 2/4 GB (default 2 GB) |
| | OS | Windows 10 IoT Enterprise, Android 6.0 |
| Storage | eMMC | 32/64 GB (default 32 GB) |
| | SD Card | 1 x Micro SD |
| Display | Type | 8" IPS LCD |
| | Resolution | WUXGA 1200 x 1920 |
| | Brightness | 400 cd/m ² |
| Touchscreen | Type | 10-point multi-touch P-CAP touch control |
| | Construction | Directly bonded Corning® Gorilla® Glass 3 |
| Multimedia | Speaker | 1 x Internal speaker (1 W) |
| | Microphone | 1 x Internal microphone for noise suppression |
| Camera | Front | 2-Megapixel camera with fixed focus |
| | Rear | 5-Megapixel camera with auto focus and LED flash |
| Sensors | | Ambient light sensor, e-compass, g-sensor, gyroscope |
| I/O | Standard I/O | 1 x Micro HDMI 1 x Micro USB 2.0 (host and charging) 1 x Micro SIM |
| | Extended I/O | 1 x AIM extension 14-pin pogo connector: 1 x USB 2.0, 1 x 2-wire UART, 5V/1A power 1 x AIM dock 16-pin pogo connector: 1 x USB 3.0, 9V power |
| | Buttons | 1 x Power 2 x Volume control 1 x Hotkey (default function: barcode scanner trigger) |
| | LED | 1 x Power/battery status indicator |
| Wireless Communication | WLAN/Bluetooth | 1. IEEE 802.11 b/g/n, Bluetooth® v4.0 Class2 2. IEEE 802.11 a/b/g/n/ac, Bluetooth® v4.2 |
| | NFC | 13.56 MHz, compatible with ISO 15693, ISO 14443A, ISO 14443B, FeliCa |
| | WWAN | 4G LTE multi-device broadband |
| GNSS | Satellite System (Optional) | GPS, GLONASS |
| Power | Input Voltage | Micro USB: 5V/3A Dock pogo: 9V/2A |
| | Battery | Swappable battery: 1S2P 3.8V 18.6W Operating time under 25 °C: 6 hr (depending on usage scenario*) Charging time: 3 hr |
| Mechanical | Dimensions (W x D x H) | 142 x 240 x 14.5 mm (5.59 x 9.44 x 0.57 in) |
| | Weight | 0.6 kg (1.32 lb) |
| Environment | Operating Temperature | 0 ~ 50 °C (32 ~ 122 °F) with battery, -10 ~ 50 °C (14 ~ 122 °F) with AC adaptor |
| | Storage Temperature | -20 ~ 60 °C (-4 ~ 140 °F) |
| | IP Rating | IP65 |
| | Shock | Operating: SAE J1455; Non-operating: IEC 60721-3-5 5M3 compliant |
| | Vibration | SAE J1455 |
| | Drop Tested | Up to 120 cm (4 ft) onto plywood over concrete |
| | Safety/EMC | UL, CB, LVD + Energy Star 6.1, CE, FCC, IC, VCCI, RCM, CCC, BSMI |
| Certifications | RED, FCC ID, IC, TELEC, NCC, SRRC, RCM | |

Dimensions

Unit: mm



System I/O



Ordering Information

| Part Number | Description | Configuration | | | | | | | | | |
|-------------------|-------------------------------------|---------------|---------|-----|----------------|----------|-----|-------|-------|-----------------------|--|
| | | Memory | Storage | NFC | Wi-Fi/BT | LTE | GPS | F-Cam | R-Cam | OS | |
| AIM-65AT-20101000 | 8I/2G/32G/WIN10/bgn | 2 GB | 32 GB | Yes | Yes | - | - | 2 MP | 5 MP | Win 10 IoT Enterprise | |
| AIM-65AT-21101000 | 8I/2G/32G/A6.0/bgn | 2 GB | 32 GB | Yes | Yes | - | - | 2 MP | 5 MP | Android 6.0 | |
| AIM-65AT-22301000 | 8I/4G/64G/WIN10/bgn | 4 GB | 64 GB | Yes | Yes | - | - | 2 MP | 5 MP | Win 10 IoT Enterprise | |
| AIM-65AT-22307000 | 8I/4G/64G/WIN10/ac | 4 GB | 64 GB | Yes | Yes (Wi-Fi AC) | - | - | 2 MP | 5 MP | Win 10 IoT Enterprise | |
| AIM-65AT-22303000 | 8I/4G/64G/WIN10/bgn/NA/GPS | 4 GB | 64 GB | Yes | Yes | Yes (NA) | Yes | 2 MP | 5 MP | Win 10 IoT Enterprise | |
| AIM-65AT-22309000 | 8I/4G/64G/WIN10/bgn/PTCRB_EM/GPS/G | 4 GB | 64 GB | Yes | Yes | Yes (NA) | Yes | 2 MP | 5 MP | Win 10 IoT Enterprise | |
| AIM-65AT-22304000 | 8I/4G/64G/WIN10/bgn/EU/GPS | 4 GB | 64 GB | Yes | Yes | Yes (EU) | Yes | 2 MP | 5 MP | Win 10 IoT Enterprise | |
| AIM-65AT-23301000 | 8I/4G/64G/A6.0/bgn | 4 GB | 64 GB | Yes | Yes | - | - | 2 MP | 5 MP | Android 6.0 | |
| AIM-65AT-23307000 | 8I/4G/64G/A6.0/ac | 4 GB | 64 GB | Yes | Yes (Wi-Fi AC) | - | - | 2 MP | 5 MP | Android 6.0 | |
| AIM-65AT-23303000 | 8I/4G/64G/A6.0/bgn/NA/GPS | 4 GB | 64 GB | Yes | Yes | Yes (NA) | Yes | 2 MP | 5 MP | Android 6.0 | |
| AIM-65AT-23304000 | 8I/4G/64G/A6.0/bgn/EU/GPS | 4 GB | 64 GB | Yes | Yes | Yes (EU) | Yes | 2 MP | 5 MP | Android 6.0 | |
| AIM-65AT-23309000 | 8I/4G/64G/A6.0_U/bgn/PTCRB_EM/GPS/G | 4 GB | 64 GB | Yes | Yes | Yes (NA) | Yes | 2 MP | 5 MP | Android 6.0 | |
| AIM-65AT-23301TBA | 8I/4G/64G/A6.0_U/bgn | 4 GB | 64 GB | Yes | Yes | - | - | 2 MP | 5 MP | Android 6.0 for SOTI | |
| AIM-65AT-23303TBA | 8I/4G/64G/A6.0_U/bgn/NA/GPS | 4 GB | 64 GB | Yes | Yes | Yes (NA) | Yes | 2 MP | 5 MP | Android 6.0 for SOTI | |
| AIM-65AT-23304TBA | 8I/4G/64G/A6.0_U/bgn/EU/GPS | 4 GB | 64 GB | Yes | Yes | Yes (EU) | Yes | 2 MP | 5 MP | Android 6.0 for SOTI | |

Optional Accessories

| Part Number | Description |
|-----------------|-------------------------------------------|
| XAIM-A16-018N1A | ADP A/D 100-240V 33W 5V 9V DUAL MIRC0 USB |
| 1700001524 | Power cord (USA) UL 3P 10A 125V 183 cm |
| 1700008921 | Power cord (Japan) PSE 3P 7A 125V 183 cm |
| 1700019146 | Power cord (China) CCC 3P 10A 250V 183 cm |
| 1700018553 | Power cord (NZ/AU) SAA 3P 10A 250V 183 cm |
| 170203180A | Power cord (UK) BSI 3P 10A 250V 183 cm |
| 170203183C | Power cord (EU) 3P 2.5A 250V 183 cm |

Note: Power cords are suitable for AIM-65, AIM-VSD, and AIM-MCS.

Packing List

| Description |
|-------------------|
| 1 x AIM-65 |
| 1 x AC/DC adaptor |
| 1 x Power cord TW |

AIM-65 Vehicle Docking Station



Features

- Compatible with 9 ~ 32 V_{DC} in-vehicle power supply
- Rapid single-handed docking and undocking
- Anti-theft locking mechanism
- External GPS antenna
- Programmable function keys
- High-density connector
- Compliant with SAE J1455 for vibration and shock tolerance
- Safe and reliable design for vehicle applications

CE FCC CCC

Specifications

| | | Fully Configured Unit | Charging Dock Only |
|---------------|--------------------------|-------------------------------------------------------------------------------------------------------------|--------------------|
| I/O | High-Density Connector | 1 x CAN bus (supports raw CAN, J1939, OBD-II/ISO 15765) with configurable firmware | |
| | | 5 x Digital inputs | |
| | | 1 x Odometer (supports dry and wet contact) with configurable and switchable firmware (default wet contact) | N/A |
| | | 2 x Digital outputs (supports speed pulse) | |
| | | 1 x RS-232 (4 wire) | |
| | | 1 x RS-232/485 (2 wire) (default RS-485, termination enabled) | |
| | | 1 x USB 2.0 | |
| | | 1 x Power output 12V 1A | |
| GPS | Extended GPS | 1 x External GPS antenna | N/A |
| Function Keys | | 5 x Programmable function keys | N/A |
| Key Lock | | Anti-theft key lock (key can be removed) | N/A |
| Power | Input Voltage | Supports 12/24 V vehicle power (9 ~ 32 V _{DC} input range) | |
| Mechanical | Dimensions (W x D x H) | 196 x 76.9 x 212.75 mm (7.71 x 3.02 x 8.37 in) | |
| | Weight | 0.5 kg (1.10 lb) | |
| Environment | Operating Temperature | -10 ~ 50 °C (14 ~ 122 °F); 0 ~ 40 °C (32 ~ 104 °F) when charging | |
| | Storage Temperature | -30 ~ 80 °C (-22 ~ 176 °F) | |
| | IP Rating | IP54 | |
| | Vibration/Shock | SAE J1455 | |
| | Safety | UL, CB, LVD, CCC | |
| | Vehicle Power Regulation | E-Mark, ISO7637-2 | |
| | Certifications | CE, FCC, CCC | |

Ordering Information

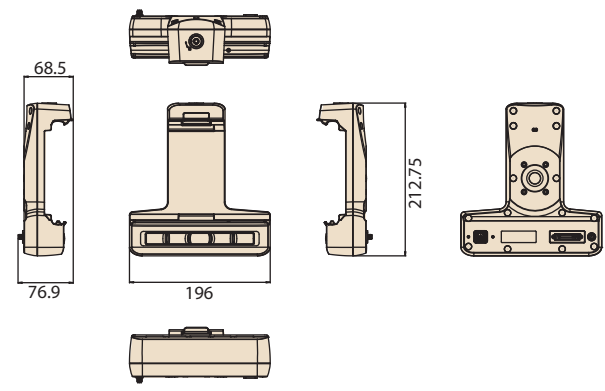
| Part Number | Description |
|------------------|------------------------------------------------------|
| AIM-VEH7-0000 | AIM vehicle docking station (full configuration) |
| AIM-VEH7-0010 | AIM vehicle docking station (charging only) |
| 1700026766-01 | High-density cable |
| PWS-770-GPSAN00E | External GPS antenna |
| 1700027666-01 | Vehicle power cable (In-house engineer testing only) |
| 1700027665-01 | Vehicle power cable (vehicle battery) |

Packing List

| Item | AIM-VEH7-0000 | AIM-VEH7-0010 |
|------|-------------------------------------------|-------------------------------------------|
| 1 | 1 x Vehicle Dock(Fully I/O) | 1 x Vehicle Dock (Charging Only) |
| 2 | 1 x Vehicle power cable (vehicle battery) | 1 x Vehicle power cable (vehicle battery) |

Dimensions

Unit: mm



AIM-65 Office /VESA Docking Station



Features

- 9 ~ 32 V wide input voltage range
- VESA (75 x 75 mm)-compliant docking stations
- -10 ~ 50 °C (14 ~122 °F) operating temperature
- Reliable docking connector for office applications

CE FCC

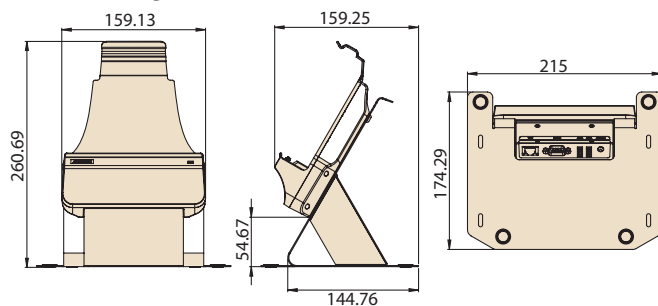
Specifications

| | | Advanced Office Docking Station | Office Docking Station with USB | Advanced VESA Docking Station | VESA Docking Station with USB |
|-------------|------------------------|--------------------------------------------------------------------|---------------------------------------------------|--------------------------------------------------------------------|-----------------------------------------------|
| I/O | | 2 x USB 3.0 1 x RS-232 COM 1 x Gigabit LAN 1 x Power jack | 2 x USB 2.0 1 x Power jack | 2 x USB 3.0 1 x RS-232 COM 1 x Gigabit LAN 1 x Power jack | 2 x USB 2.0 1 x Power jack |
| | Stand | SECC steel | SECC steel | - | - |
| Power | Input Voltage | 9 ~ 32 V | 19 V | 9 ~ 32 V | 19 V |
| Mechanical | Dimensions (W x D x H) | 215 x 174.29 x 260.69 mm (8.5 x 6.9 x 10.3 in) | 215 x 174.29 x 260.69 mm (8.5 x 6.9 x 10.3 in) | 160 x 61.8 x 189.2 mm (6.3 x 2.4 x 7.4 in) | 160 x 61.8 x 189.2 mm (6.3 x 2.4 x 7.4 in) |
| | Weight | 0.75 kg (1.65 lb) | 0.75 kg (1.65 lb) | 0.282 kg (0.62 lb) | 0.28 kg (0.61 lb) |
| Environment | Operating Temperature | -10 ~ 50 °C (14 ~122 °F) | -10 ~ 50 °C (14 ~122 °F) | -10 ~ 50 °C (14 ~122 °F) | -10 ~ 50 °C (14 ~122 °F) |
| | Storage Temperature | -20 ~ 70 °C (-4 ~ 158 °F) | -20 ~ 70 °C (-4 ~ 158 °F) | -20 ~ 70 °C (-4 ~ 158 °F) | -20 ~ 70 °C (-4 ~ 158 °F) |
| | Safety | UL, CB, LVD, CCC | UL, CB, LVD, CCC | UL, CB, LVD, CCC | UL, CB, LVD, CCC |
| | Certifications | CE, FCC, CCC | CE, FCC, CCC | CE, FCC, CCC | CE, FCC, CCC |

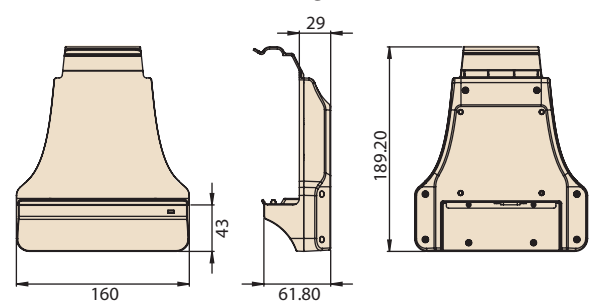
Dimensions

Unit: mm

Office Docking Station



VESA Advanced/VESA Docking Station



Ordering Information

| Part Number | Description |
|---------------|----------------------------------------------------------------|
| AIM-OFDO-0170 | AIM 8 advanced office docking station (full I/O configuration) |
| AIM-OFDO-0171 | AIM 8 office docking station (USB) |
| AIM-VSDO-0170 | AIM 8 advanced VESA docking station (Full I/O configuration) |
| AIM-VSDO-0171 | AIM 8 VESA docking station with USB (USB) |
| AIM-STDO-0000 | AIM 8 VESA stand |

Optional Accessories

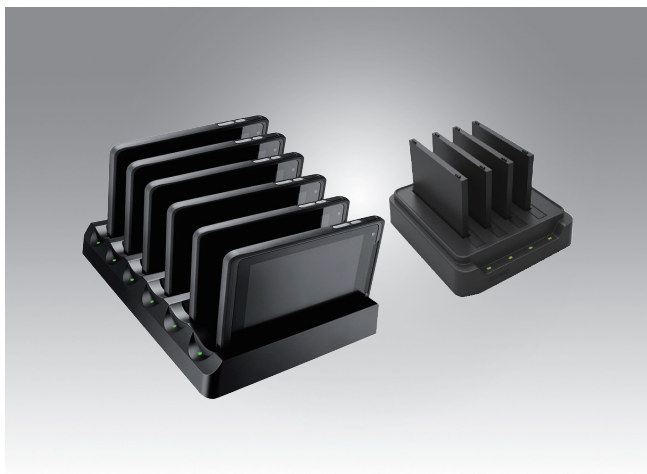
| Part Number | Description |
|------------------|-------------------------------------------|
| 96PSA-A65W19V1-1 | ADP A/D 100-240V 65W 19V C6 DC PLUG 180° |
| 1700001524 | Power cord (USA) UL 3P 10A 125V 183 cm |
| 1700008921 | Power cord (Japan) PSE 3P 7A 125V 183 cm |
| 1700019146 | Power cord (China) CCC 3P 10A 250V 183 cm |
| 1700018553 | Power cord (NZ/AU) SAA 3P 10A 250V 183 cm |
| 170203180A | Power cord (UK) BSI 3P 10A 250V 183 cm |
| 170203183C | Power cord (EU) 3P 2.5A 250V 183 cm |

Packing List

| Item | AIM-OFDO-0170 | AIM-OFDO-0171 |
|------|-------------------------------|---------------------------------------|
| 1 | 1 x Office Dock(Advanced I/O) | 1 x Office Dock(Charging & USB Only) |
| 2 | 1 x AC/DC adaptor | 1 x AC/DC adaptor |
| Item | AIM-VSDO-0170 | AIM-VSDO-0171 |
| 1 | 1 x VESA Dock(Advanced I/O) | 1 x VESA Dock(Charging & USB Only) |
| 2 | 1 x AC/DC adaptor | 1 x AC/DC adaptor |

Note: The packing list doesn't include power cord. Please order based on following PNs.

AIM Multi-Bay Charging Station



Features

- Supports charging of up to 6 tablets/4 batteries simultaneously
- Overcurrent and overvoltage protection provided
- Rapid single-handed docking and undocking
- LED indicators for monitoring charging status



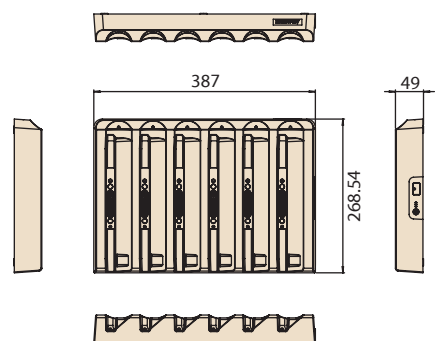
Specifications

| | | Multi-Tablet Charging Station | Multi-Battery Charging Station |
|-------------|------------------------|----------------------------------------------|----------------------------------------------|
| Capacity | Number of Bays | 6 | 4 |
| | Charging Current | 2A | 2.5A |
| | Charging Voltage | 9 V | 4.35 V |
| Power | Input Voltage | 19 V | 19 V |
| | LED Indicators | Green: Full Amber: Charging Red: Error | Green: Full Amber: Charging Red: Error |
| Mechanical | Dimensions (W x D x H) | 387 x 269 x 49 mm (15.23 x 10.59 x 1.92 in) | 144 x 155 x 39 mm (5.66 x 6.10 x 1.53 in) |
| | Weight | 1.98 kg (4.36 lb) | 0.48 kg (1.05 lb) |
| Environment | Operating Temperature | 0 ~ 40 °C (32 ~ 104 °F) | 0 ~ 40 °C (32 ~ 104 °F) |
| | Storage Temperature | -10 ~ 50 °C (14 ~ 122 °F) | -10 ~ 50 °C (14 ~ 122 °F) |
| | Safety | UL, CB, LVD, CCC, RCM | UL, CB, LVD, CCC, RCM |
| | Certifications | CE, FCC, CCC, RCM, BSMI | CE, FCC, CCC, RCM, BSMI |

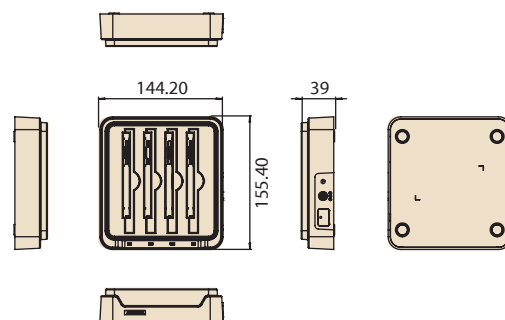
Dimensions

Unit: mm

Multi-Tablet Charging Station



Multi-Battery Charging Station



Ordering Information

| Part Number | Description |
|---------------|----------------------------------------|
| AIM-CHG0-0150 | Multi-tablet charging station for AIM |
| AIM-MBC0-0051 | Multi-battery charging station for AIM |

Optional Adapter

| Model | Adapter Part Number | Description |
|---------------|---------------------|------------------------------------------|
| AIM-CHG0-0150 | 96PSA-A120W19V1 | ADP A/D 100-240V 120W 19V C6 DC jack |
| AIM-MBC0-0051 | 96PSA-A65W19V1-1 | ADP A/D 100-240V 65W 19V C6 DC PLUG 180° |

Packing List

| Item | AIM-MBC0-0051 |
|------|---------------------------|
| 1 | 1 x Multi Battery Charger |
| 2 | 1 x AC/DC adaptor |

Note: The packing list doesn't include power cord. Please order based on following PNs.

Optional Power Cord

| Part Number | Description |
|-------------|-------------------------------------------|
| 1700001524 | Power cord (USA) UL 3P 10A 125V 183 cm |
| 1700008921 | Power cord (Japan) PSE 3P 7A 125V 183 cm |
| 1700019146 | Power cord (China) CCC 3P 10A 250V 183 cm |
| 1700018553 | Power cord (NZ/AU) SAA 3P 10A 250V 183 cm |
| 170203180A | Power cord (UK) BSI 3P 10A 250V 183 cm |
| 170203183C | Power cord (EU) 3P 2.5A 250V 183 cm |