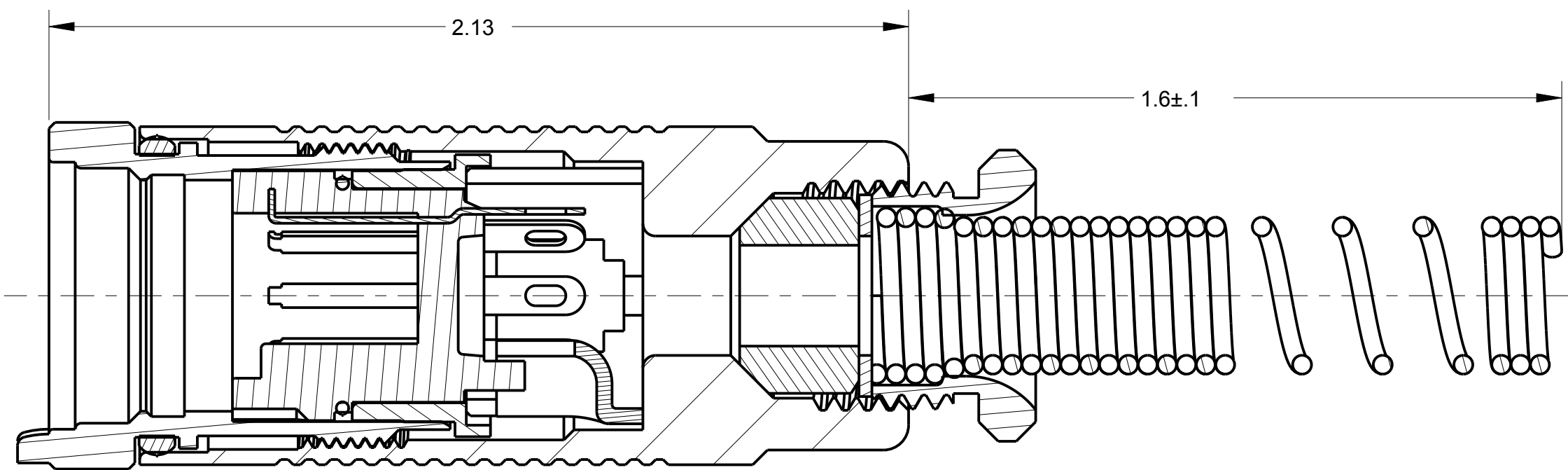
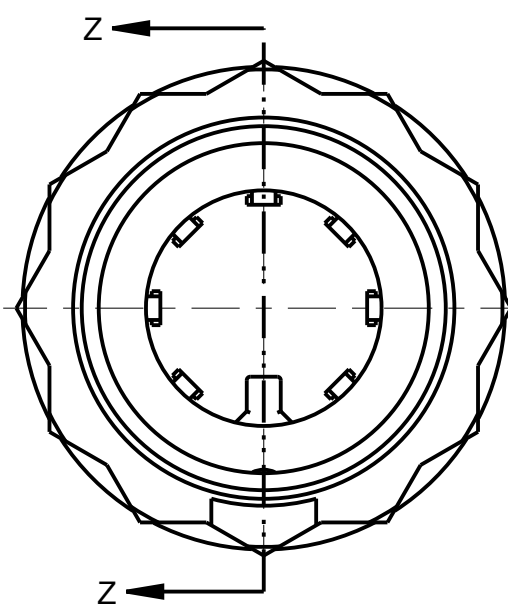
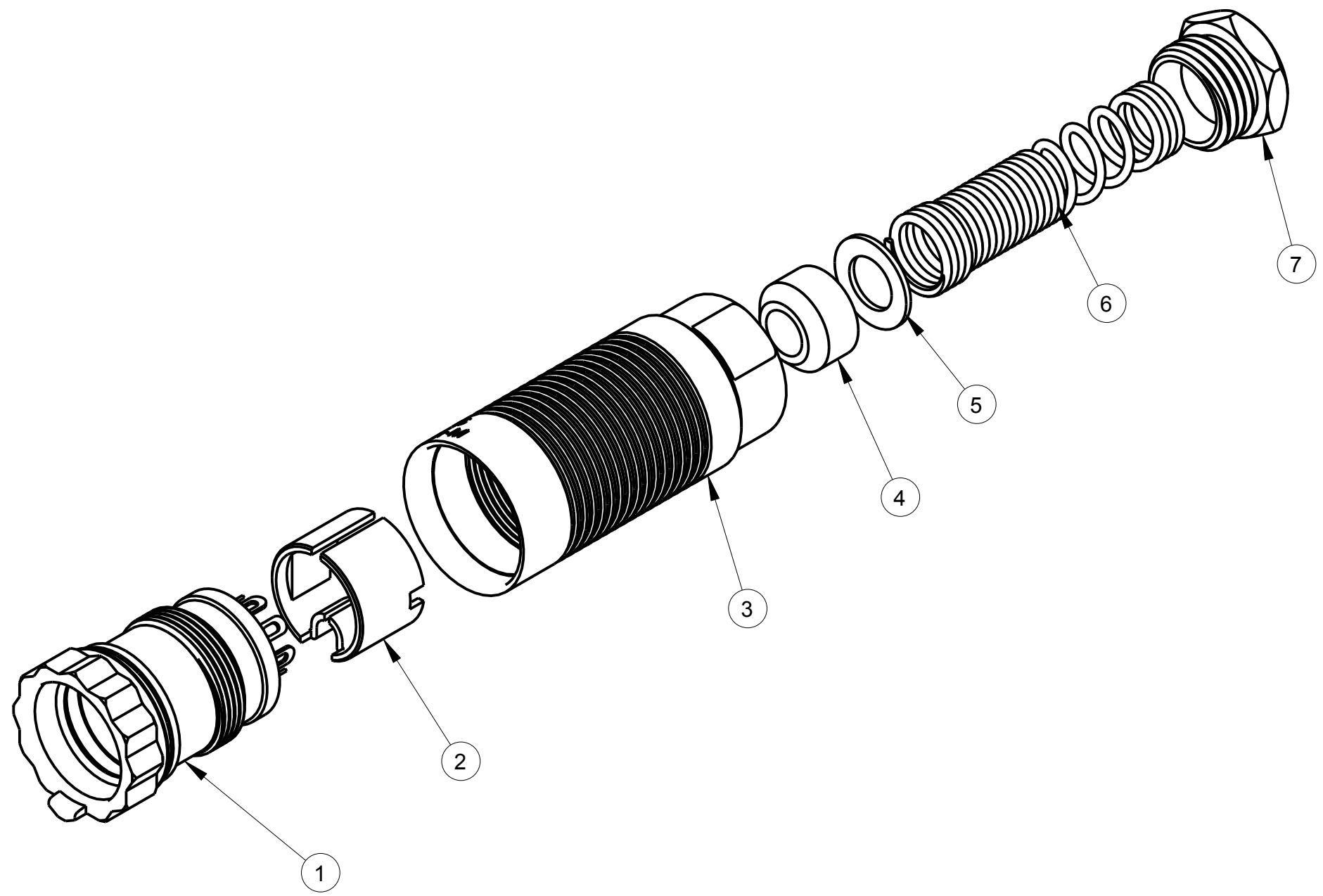


ITEM #	PART #	QTY	DESCRIPTION
1	AJ-107BRS-1	1	JACK BODY ASSEMBLY
2	AJ-107BR-6S	1	SHELL
3	AJ-107S-2	1	STRAIN RELIEF
4	AP-116-2	1	WASHER - STAINLESS
5	AP-116-4	1	SPRING
6	AP-116-6	1	STUD
7	AP-116-8	1	BUSHING - RUBBER

C AJ-107BR-M



SECTION Z-Z

THIS DOCUMENT CONTAINS PROPRIETARY INFORMATION OF NEXUS, INCORPORATED AND SUCH INFORMATION MAY NOT BE DISCLOSED TO OTHERS FOR ANY PURPOSE OR USED FOR ANY PURPOSE WITHOUT THE WRITTEN CONSENT OF NEXUS.

DWN. BY		HR	DATE	Apr-23-13	MATERIAL	
CHECKED BY			DATE		FINISH	
APPR. BY			DATE		WEIGHT	SCALE = 1.00 :1
UNLESS OTHERWISE SPECIFIED DIMENSIONS ARE IN INCHES & OR (mm)					TITLE	
TOLERANCES:					7-CONDUCTOR AUDIO JACK W/SPRING BEND RELIEF	
DECIMAL:					DO NOT SCALE DWG. SHEET 1 OF 1	
FRACTION: ±X/XX ± 1/64					SIZE	
ANGLES: ±X ° ±.5°					C	
A	NEW RELEASE	169	4/24 2013	HR	NEXUS STAMFORD, CONN.	
LET.	REVISION	CN #	DATE	CHK	DWG. NO. AJ-107BR-M	