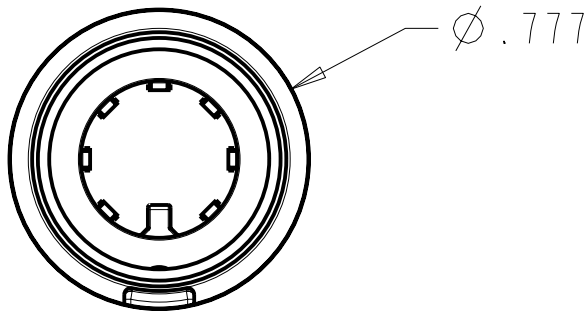
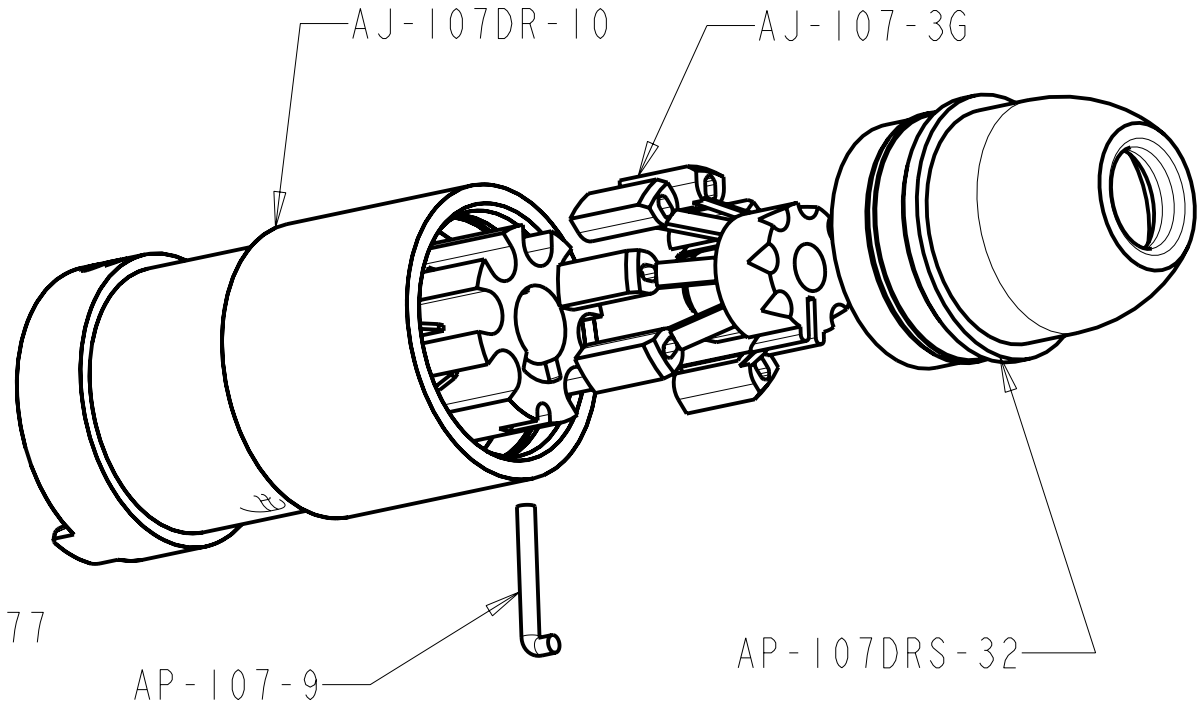
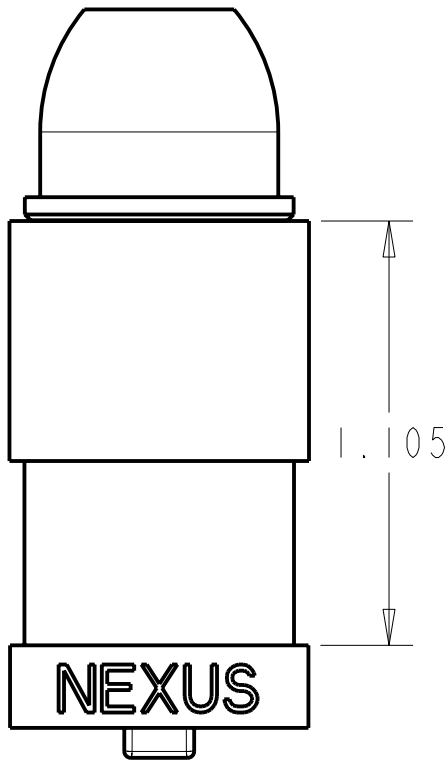


**PROPRIETARY - NEXUS**  
**ORDERING PART NUMBER: AJ-107DR**

A AJ-107DR-CP



THIS DOCUMENT CONTAINS PROPRIETARY INFORMATION OF NEXUS, INCORPORATED AND SUCH INFORMATION MAY NOT BE DISCLOSED TO OTHERS FOR ANY PURPOSE OR USED FOR ANY PURPOSE WITHOUT THE WRITTEN CONSENT OF NEXUS.

					DWN. BY <b>LDE</b>	DATE 22-Jun-07	MATERIAL		
					CHECKED BY	DATE	FINISH		
					APPR. BY	DATE	WEIGHT	SCALE = 2.00 : 1	<b>NEXUS</b> STAMFORD, CONN
					UNLESS OTHERWISE SPECIFIED DIMENSIONS ARE IN INCHES TOLERANCES ON .XX .XXX ANGLES ±.003 ±.5°		TITLE <b>JACK ASSY - DR</b> ORDERING PART NUMBER: AJ-107DR		
B	ADDED CUSTOMER DIMENSIONS		10/20 2010						SIZE
LET.	REVISION	CN #	DATE	CHK.			DO NOT SCALE DWG. SHEET 1 OF 1		DWG. NO. <b>AJ-107DR-CP</b>