

ITEM #	PART #	QTY	DESCRIPTION
1	SEE TABLE #1	1	6-CONDUCTOR PM W/PC TAILS
2	AP-136-36	1	O-RING
3	AJ-146-12	1	NUT

NOTES:
 1) CONNECTOR IS QUALIFIED TO MIL-DTL-55116.
 2) COMPANY NAME & PART NUMBER
 3) ORDER PART # AS SHOWN IN TABLE #1

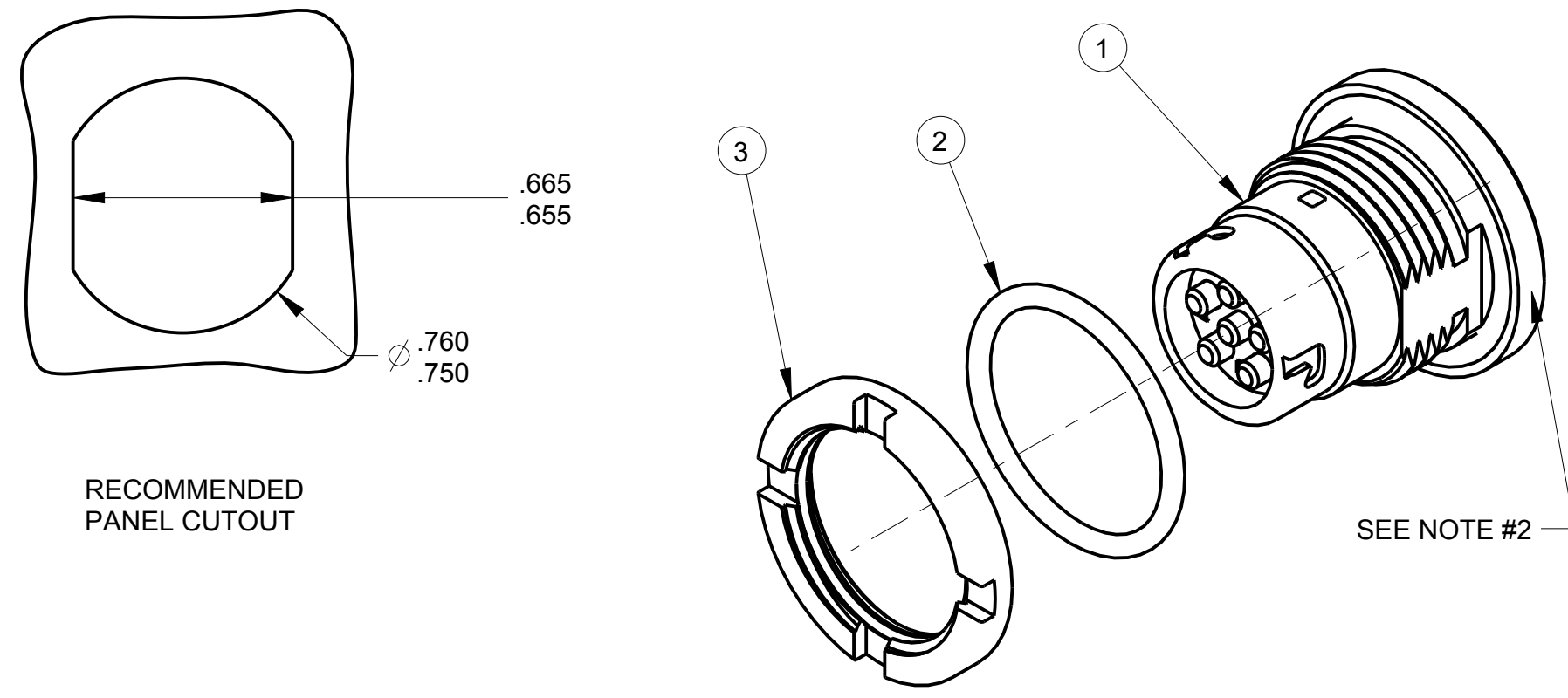
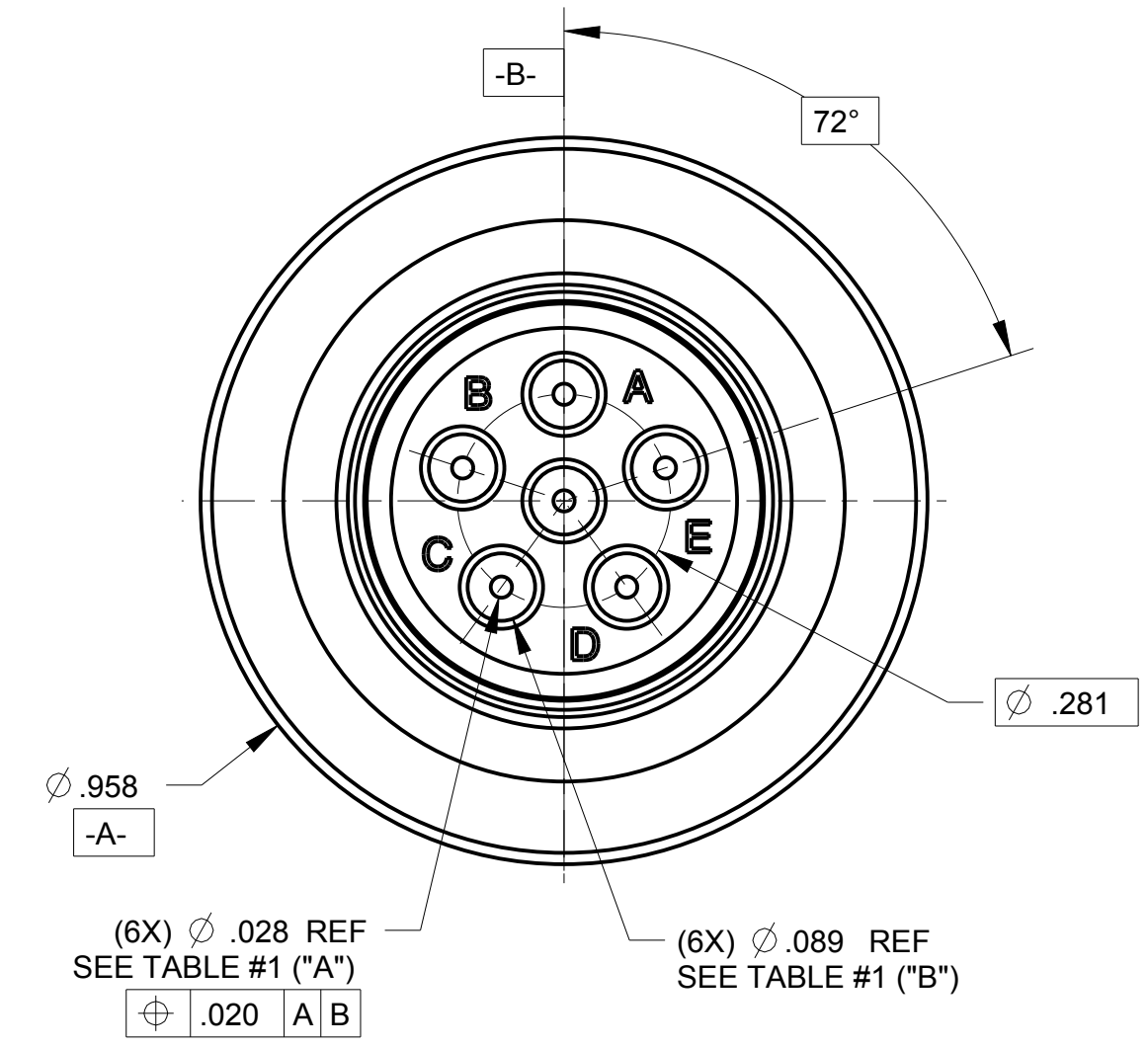
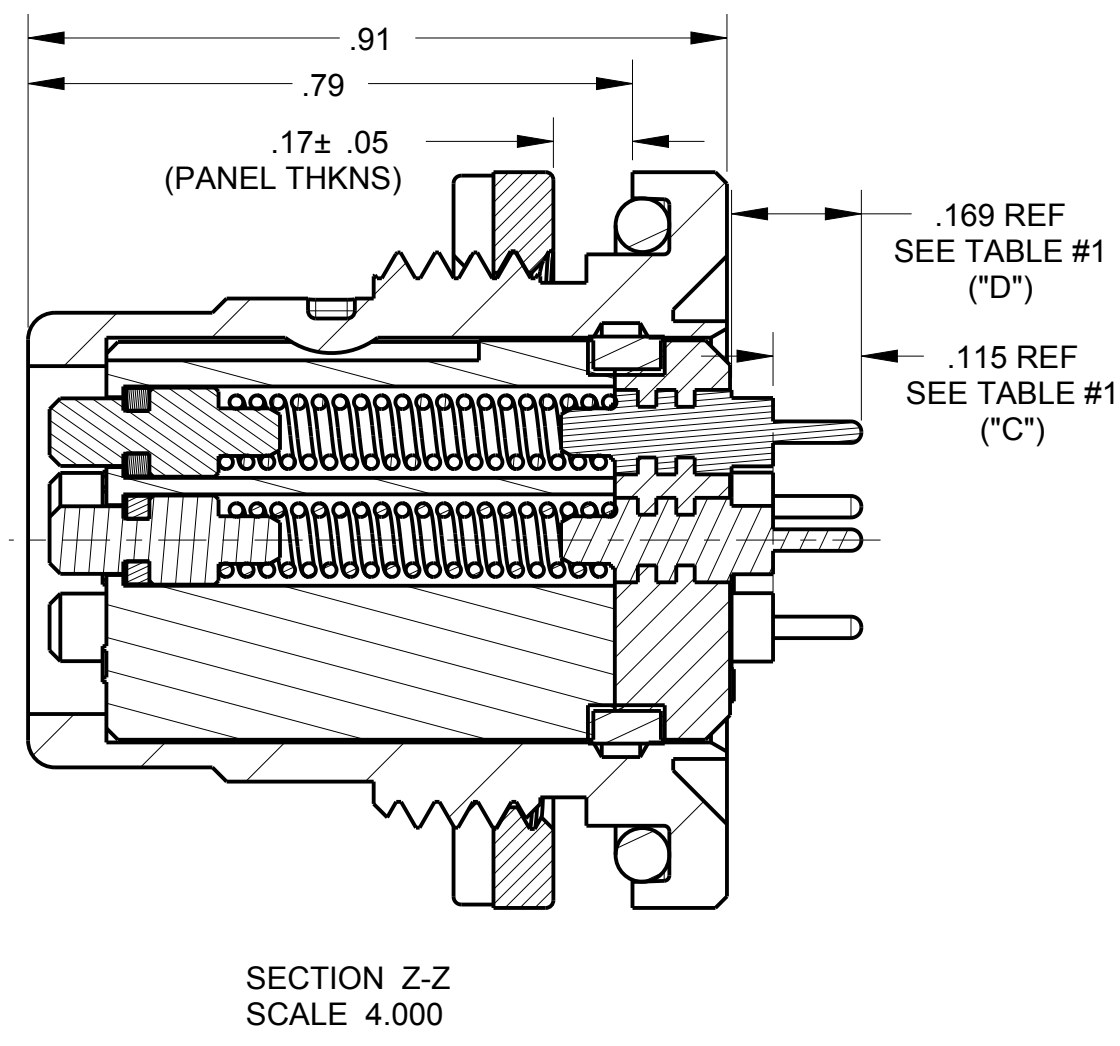
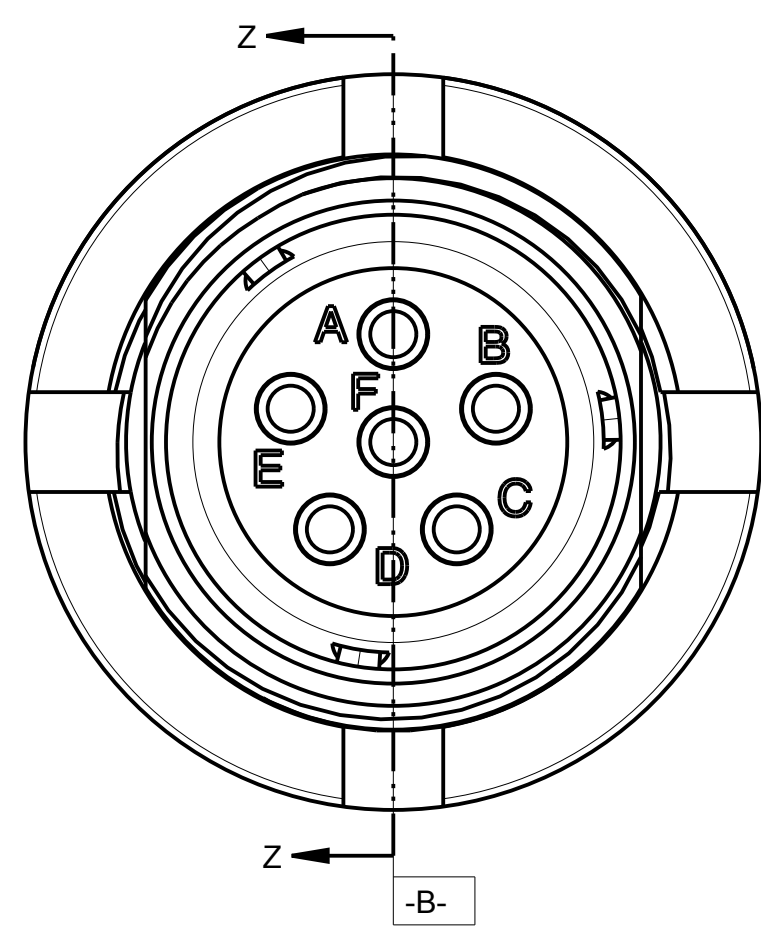


TABLE #1					
PART #	JACK BODY	Ø "A" ± .002	Ø "B"	"C"	"D"
AJ-146RMPC/1	AJ-146RMPC-10A	.040	.089	.115	.169
AJ-146RMPC/2	AJ-146RMPC-10B	.040	----	----	.437
AJ-146RMPC/3	AJ-146RMPC-10C	.028	.089	.188	.590
AJ-146RMPC/4	AJ-146RMPC-10D	.028	.089	.125	.194
AJ-146RMPC/5	AJ-146RMPC-10E	.028	.089	.218	.257
AJ-146RMPC/6	AJ-146RMPC-10F	.040	----	----	.110
AJ-146RMPC/7	AJ-146RMPC-10G	.028	.089	.150	.437
AJ-146RMPC/8	AJ-146RMPC-10H	.030	----	----	.120
AJ-146RMPC/9	AJ-146RMPC-10J	.028	.089	.140	.390
AJ-146RMPC/10	AJ-146RMPC-10K	.040	----	----	.744
AJ-146RMPC/11	AJ-146RMPC-10L	.030	----	----	.594
----	----	----	----	----	----
AJ-146RMPC/13	AJ-146RMPC-10N	.040	----	----	.900



THIS DOCUMENT CONTAINS PROPRIETARY INFORMATION OF NEXUS, INCORPORATED AND SUCH INFORMATION MAY NOT BE DISCLOSED TO OTHERS FOR ANY PURPOSE OR USED FOR ANY PURPOSE WITHOUT THE WRITTEN CONSENT OF NEXUS.

DWN.BY: HR		DATE: Nov-03-14		MATERIAL	
CHECKED BY:		DATE:		FINISH	
APPR.BY:		DATE:		WEIGHT	
UNLESS OTHERWISE SPECIFIED DIMENSIONS ARE IN INCHES & OR (mm)				SCALE = 4.00 :1	
TOLERANCES:				TITLE	
DECIMAL:				JACK 6 PIN PM WITH PC TAILS	
±.XX[X.X] ±.XXX[X.XX] ±.XXXX[X.XXX]				DO NOT SCALE DWG.	
±.0X[0.X] ±.00X[0.0X] ±.000X[0.0XX]				SHEET 1 OF 1	
FRACTION: ±X/XX ±X/XX				NEXUS STAMFORD, CONN	
ANGLES: ±X° ±X°				SIZE DWG. NO.	
				C AJ-146RMPC-CP	