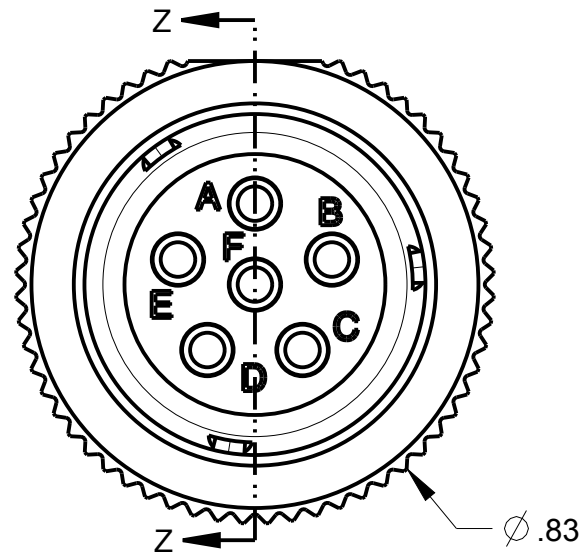
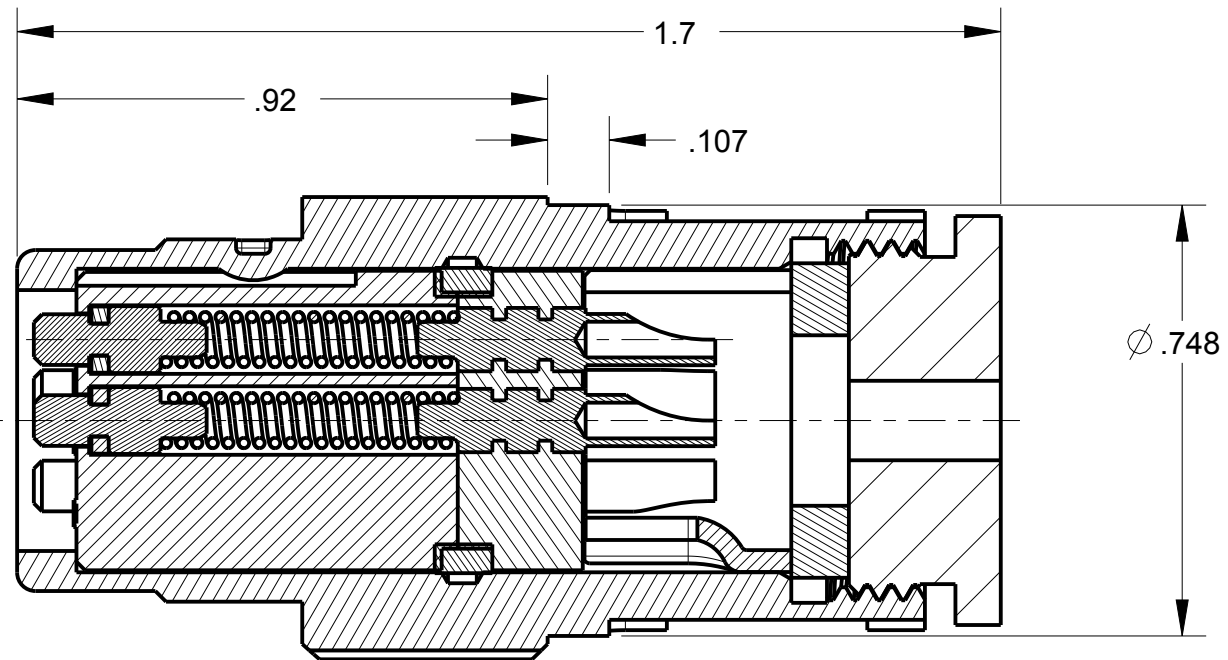
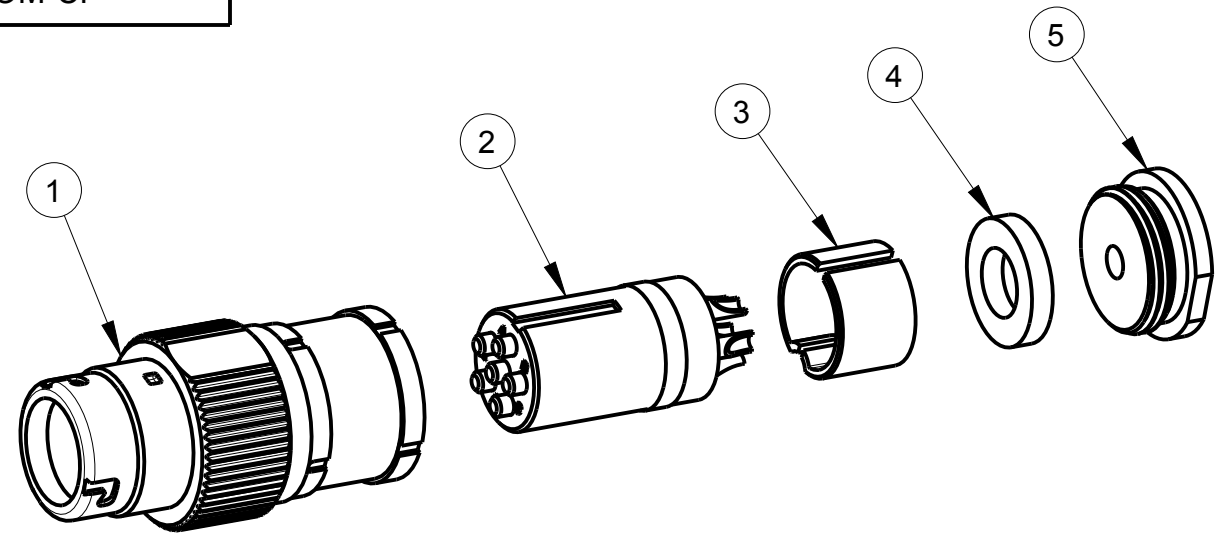


ITEM #	PART #	QTY	DESCRIPTION
1	AJ-156OM-11	1	HOUSING - JACK, CABLE
2	AJ-166-30	1	INSERT 6-COND, SOLDER
3	AP-105-5	1	STRAIN RELIEF
4	AJ-166OM-3	1	WASHER, RUBBER
5	AP-116OM-7	1	ADAPTER, NUT

NOTES:
1) ORDER PART NUMBER AJ-1660M



B AJ-166OM-CP



SECTION Z-Z

THIS DOCUMENT CONTAINS PROPRIETARY INFORMATION OF NEXUS, INCORPORATED AND SUCH INFORMATION MAY NOT BE DISCLOSED TO OTHERS FOR ANY PURPOSE OR USED FOR ANY PURPOSE WITHOUT THE WRITTEN CONSENT OF NEXUS.

					DWN.BY	HR	DATE	1/4/16	MATERIAL			
					CHECKED BY		DATE		FINISH			
					APPR.BY		DATE		WEIGHT	SCALE = 2.00 :1		
					UNLESS OTHERWISE SPECIFIED: DIMENSIONS ARE IN INCHES &/OR [mm]				TITLE JACK, 6 PIN AUDIO SOLDER CUP, OVERMOLD		NEXUS STAMFORD, CONN	
					TOLERANCES: DECIMAL: .XX[X.X] .XXX[X.XX] ± .01[0.3] ± .003[0.08]							
A	NEW PROPOSAL		1/4 2016	HR	FRACTION: X/X ± 1/64				DO NOT SCALE DWG.	SHEET 1 OF 1	SIZE B	DWG. NO. AJ-166OM-CP
LET.	REVISION	CN #	DATE	CHK.	ANGLES: .X ± .5°							