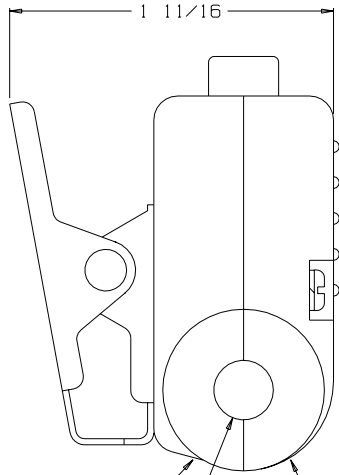
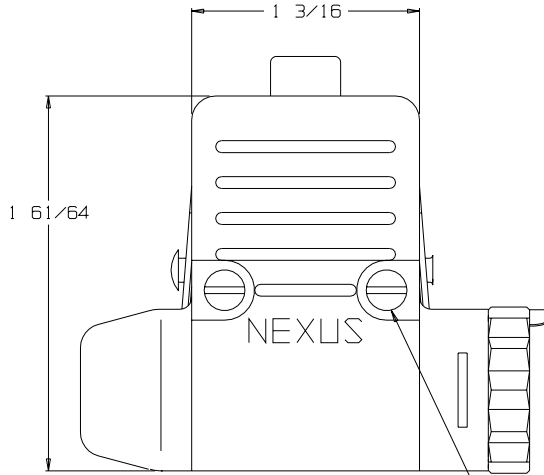


**C AJS-107A**



AJS-107A-2 HOUSING PLAIN

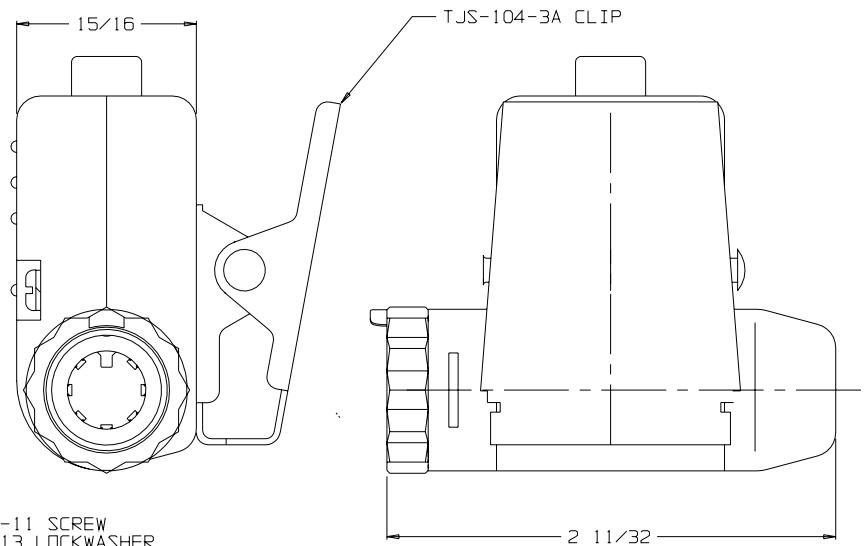
Ø .310



AJS-107A-1 HOUSING RIBBED

NX306BB1B SWITCH

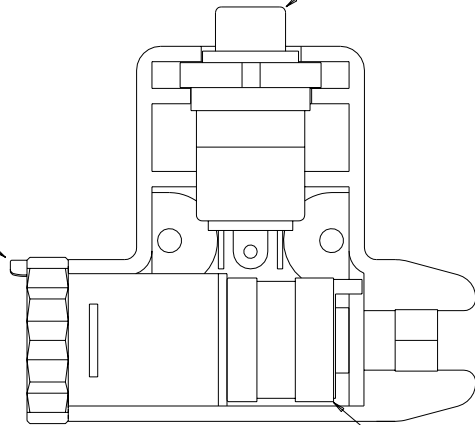
TJS-102-11 SCREW  
TJ-106-13 LOCKWASHER  
TYP 2 PLCS



TJS-104-3A CLIP

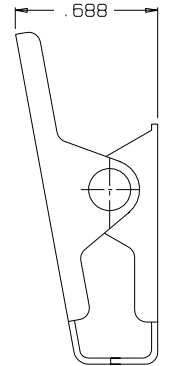
2 11/32

AJS-107A-6 HOUSING & JACK ASSEMBLY

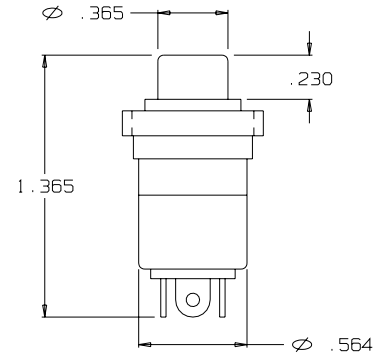


AJS-107A WITH AJS-107A-2 REMOVED

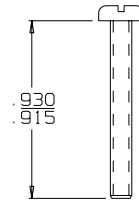
AJS-107A-4 HOUSING SLEEVE



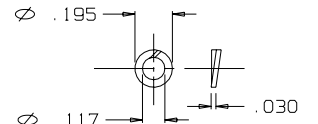
CLIP ASSY  
TJS-104-3A  
(1 REQ'D)



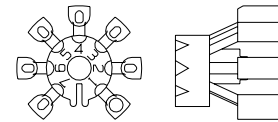
SWITCH  
SPDT  
NX306BB1B  
(1 REQ'D)



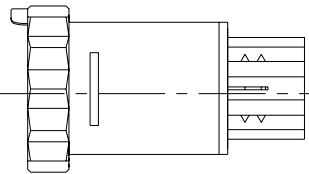
SCREW 4-40 LINC 2A  
TJS-102-11  
(2 REQ'D)



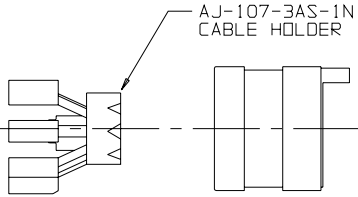
WASHER, LOCK #4  
TJ-106-13  
(2 REQ'D)



CABLE HOLDER  
AJ-107-3AS-1N  
(1 REQ'D)



HOUSING & JACK ASSEMBLY  
AJS-107A-6  
(1 REQ'D)



MODIFIED SLEEVE  
AJS-107A-4  
(1 REQ'D)

INFORMATION OF NEXUS, INCORPORATED AND SUCH INFORMATION MAY NOT BE DISCLOSED TO OTHERS FOR ANY PURPOSE OR USED FOR ANY PURPOSE WITHOUT THE WRITTEN CONSENT OF NEXUS.

DWN BY <i>EWT</i>	DATE 2/8/04	MATERIAL _____	
CHECKED BY	DATE	FINISH _____	
APPR BY	DATE	WEIGHT _____	SCALE 2:1
UNLESS OTHERWISE SPECIFIED DIMENSIONS ARE IN INCHES TOLERANCES ON FRACTIONS DECIMALS ANGLES		TITLE JACK-TELEPHONE (7) CONDUCTOR WITH NX306 SWITCH	
LET.	REVISION	DN #	DATE
A	INITIAL RELEASE		2/8/04 EWT
			CHK: 1/284 1/2005
DD NOT SCALE DWG.		SHEET 1	OF 1
<p style="text-align: center;"><b>NEXUS</b> STAMFORD, CONN</p>		SIZE	DWG. NO.
		<b>C</b>	<b>AJS-107A</b>