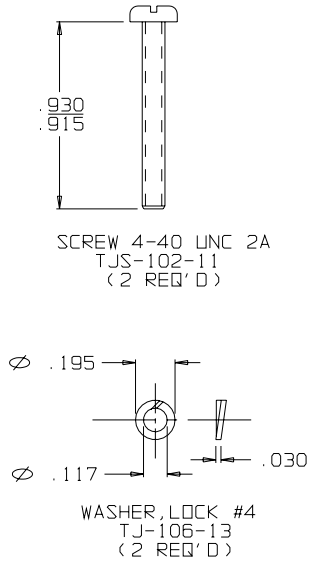
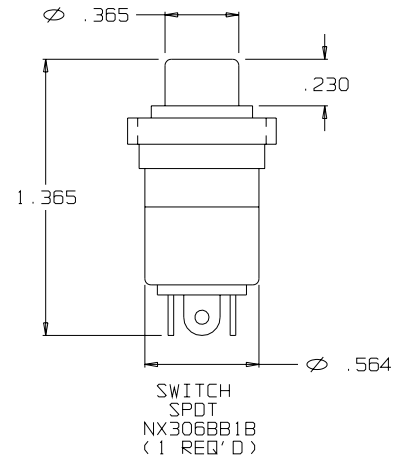
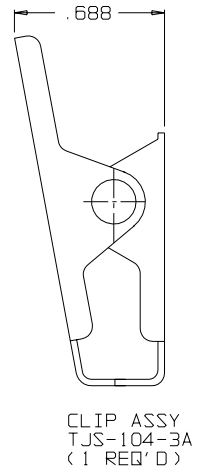
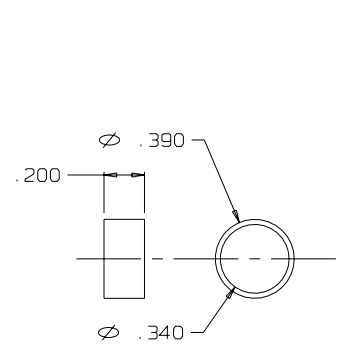
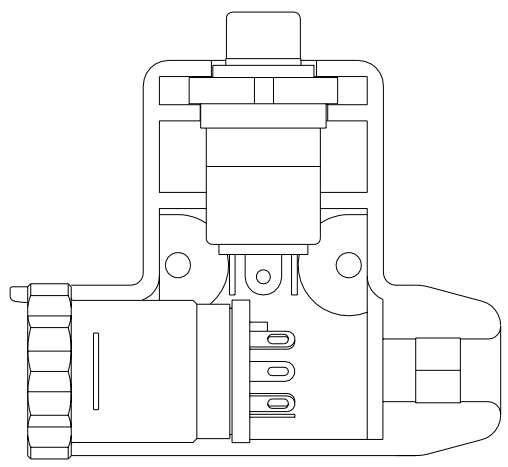
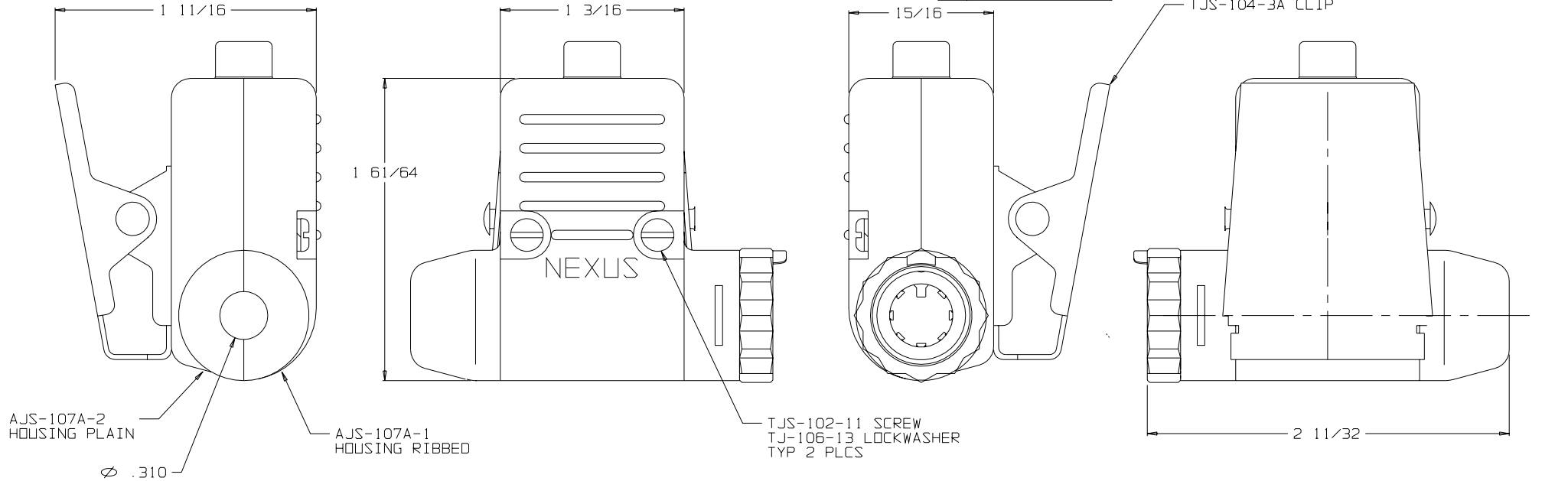


C AJS-107ASS



MATION OF NEXUS, INCORPORATED AND SUCH INFORMATION MAY NOT BE DISCLOSED TO OTHERS FOR ANY PURPOSE OR USED FOR ANY PURPOSE WITHOUT THE WRITTEN CONSENT OF NEXUS.

DWN. BY <i>EWT</i>		DATE 2/9/04		MATERIAL	
CHECKED BY		DATE		FINISH	
APPR. BY		DATE		WEIGHT	
				SCALE 2:1	
TITLE JACK-TELEPHONE SHIELDED (7) CONDUCTOR WITH NX306 SPOT SWITCH					
UNLESS OTHERWISE SPECIFIED DIMENSIONS ARE IN INCHES TOLERANCES ON FRACTIONS DECIMALS ANGLES ± 1/64 ± .005					
LET.	REVISION	CN #	DATE	CHK.	DO NOT SCALE DWG.
A	INITIAL RELEASE		2/9/04	EWT	SHEET 1 OF 1

NEXUS
STAMFORD, CONN

SIZE
C

DWG. NO.
AJS-107ASS