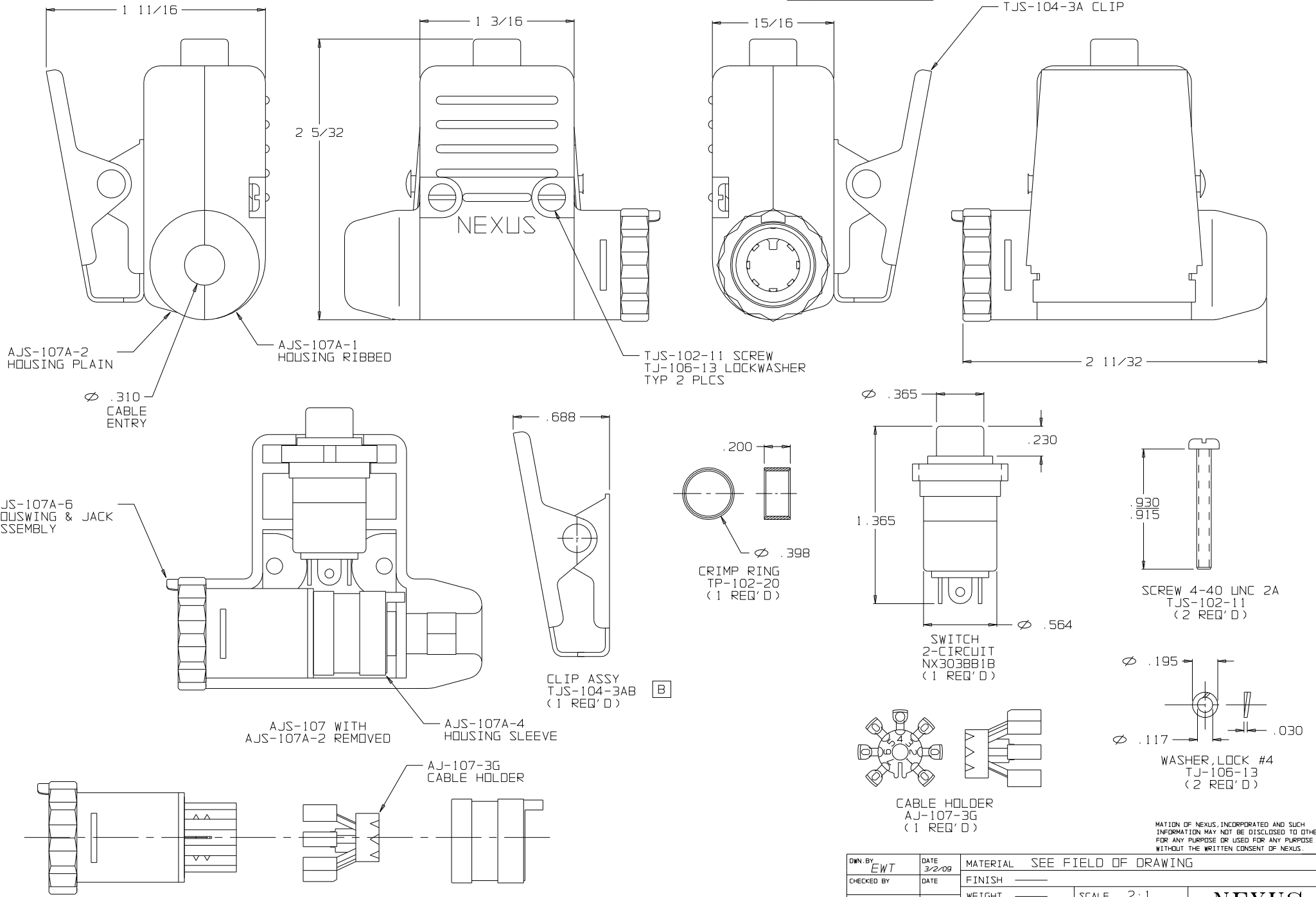


C AJS-107B



MATION OF NEXUS, INCORPORATED AND SUCH INFORMATION MAY NOT BE DISCLOSED TO OTHERS FOR ANY PURPOSE OR USED FOR ANY PURPOSE WITHOUT THE WRITTEN CONSENT OF NEXUS.

DWN BY	EWT	DATE	3/2/09	MATERIAL	SEE FIELD OF DRAWING
CHECKED BY		DATE		FINISH	
APPR. BY		DATE		WEIGHT	SCALE 2:1
				TITLE JACK-TELEPHONE (7) CONDUCTOR WITH SWITCH (NX303)	
				DO NOT SCALE DWG. SHEET 1 OF 1	

B	TJS-104-3AB WAS TJS-104-3A	030	9/25/09	GPH
A	INITIAL RELEASE		3/2/09	EWT
LET.	REVISION	CN #	DATE	CHK.

NEXUS
STAMFORD, CONN
SIZE DWG. NO.
C AJS-107B