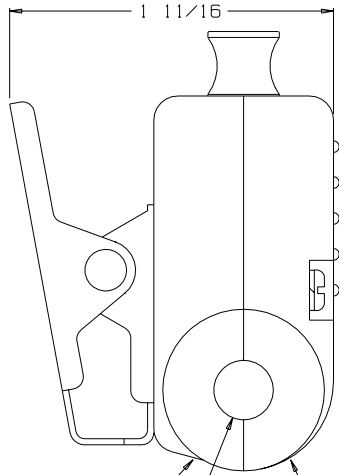
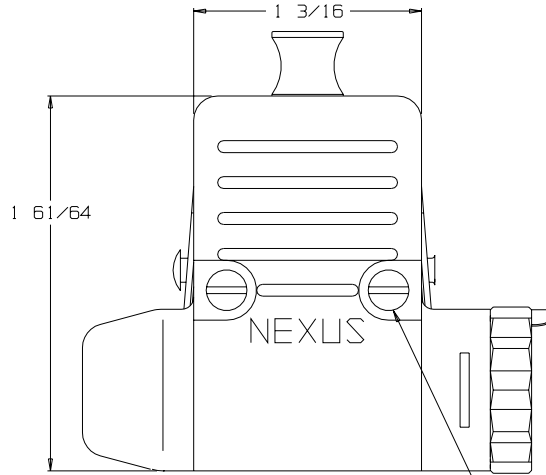


**C AJS-107PP**

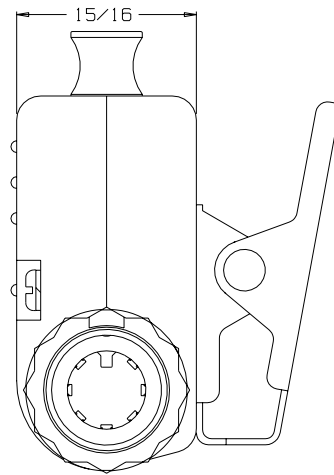


AJS-107A-2 HOUSING PLAIN

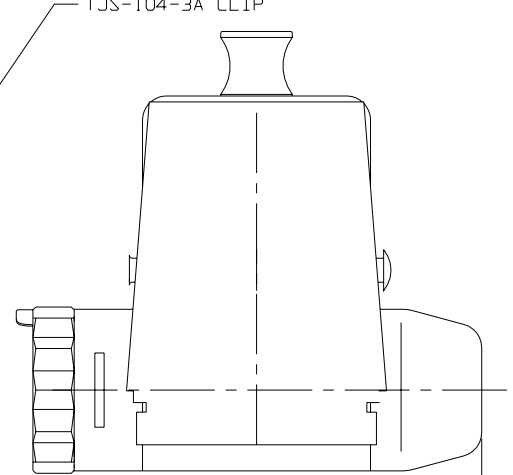
Ø .310



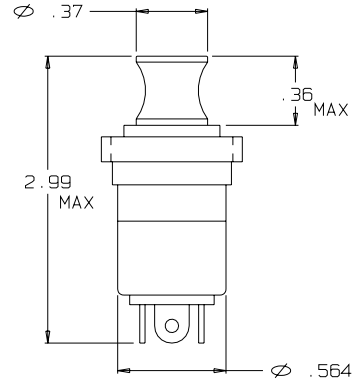
AJS-107A-1 HOUSING RIBBED



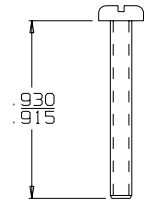
TJS-104-3A CLIP



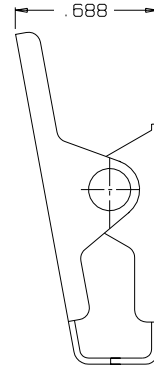
TJS-102-11 SCREW  
TJ-106-13 LOCKWASHER  
TYP 2 PLCS



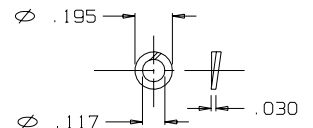
SWITCH  
SPDT  
NX303BB3B  
(1 REQ'D)



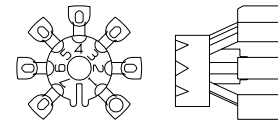
SCREW 4-40 LINC 2A  
TJS-102-11  
(2 REQ'D)



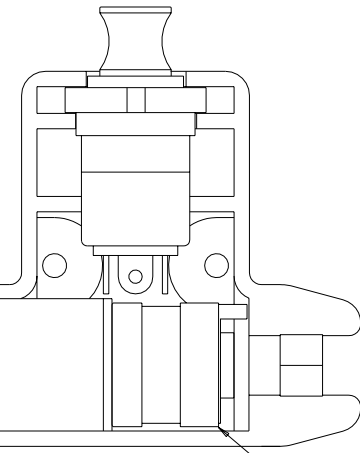
CLIP ASSY  
TJS-104-3A  
(1 REQ'D)



WASHER, LOCK #4  
TJ-106-13  
(2 REQ'D)



CABLE HOLDER  
AJ-107-3AS-1N  
(1 REQ'D)

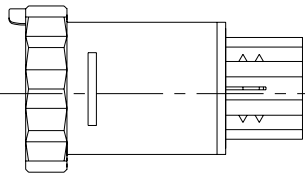


AJS-107A-6 HOUSING & JACK ASSEMBLY

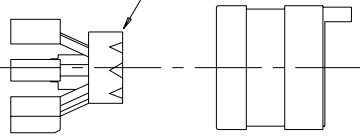
AJS-107A WITH  
AJS-107A-2 REMOVED

AJS-107A-4 HOUSING SLEEVE

AJ-107-3AS-1N  
CABLE HOLDER



HOUSING & JACK ASSEMBLY  
AJS-107A-6  
(1 REQ'D)



MODIFIED SLEEVE  
AJS-107A-4  
(1 REQ'D)

INFORMATION OF NEXUS, INCORPORATED AND SUCH INFORMATION MAY NOT BE DISCLOSED TO OTHERS FOR ANY PURPOSE OR USED FOR ANY PURPOSE WITHOUT THE WRITTEN CONSENT OF NEXUS.

DWN BY <i>EWT</i>	DATE 2/8/04	MATERIAL		
CHECKED BY	DATE	FINISH		
APPR BY	DATE	WEIGHT	SCALE	2:1
		TITLE JACK-TELEPHONE (7) CONDUCTOR WITH [B] NX303 PUSH-PULL SWITCH		
		SIZE DWG. NO. <b>C</b> AJS-107PP		
		DO NOT SCALE DWG. SHEET 1 OF 1		

B	CORRECTED TITLE WAS NX307		9/7/07	EWT
A	INITIAL RELEASE		2/8/04	EWT
LET.	REVISION	CH #	DATE	CHK
			1/24	1/05

UNLESS OTHERWISE SPECIFIED DIMENSIONS ARE IN INCHES TOLERANCES ON FRACTIONS DECIMALS ANGLES