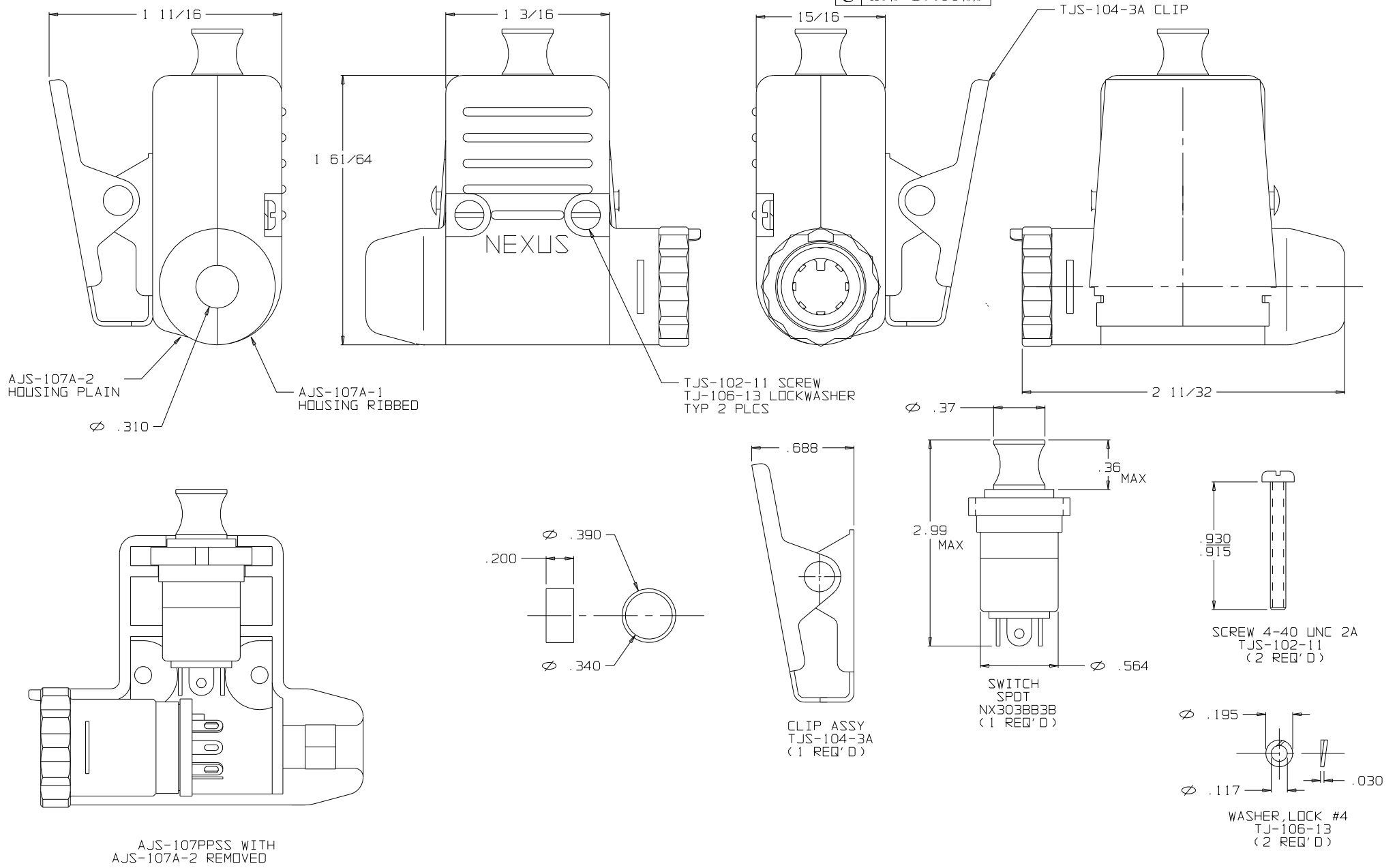


**C AJS-107PPSS**



AJS-107PPSS WITH  
AJS-107A-2 REMOVED

MATION OF NEXUS, INCORPORATED AND SUCH INFORMATION MAY NOT BE DISCLOSED TO OTHERS FOR ANY PURPOSE OR USED FOR ANY PURPOSE WITHOUT THE WRITTEN CONSENT OF NEXUS.

DWN BY <i>EWT</i>	DATE 2/9/04	MATERIAL	
CHECKED BY	DATE	FINISH	
APPR. BY	DATE	WEIGHT	SCALE 2:1
UNLESS OTHERWISE SPECIFIED DIMENSIONS ARE IN INCHES TOLERANCES ON		TITLE JACK-TELEPHONE SHIELDED (7) CONDUCTOR WITH NX303 PUSH-PULL SWITCH	
B	CORRECTED TITLE WAS NX307	9/7/07	EWT
A	INITIAL RELEASE	2/9/04	EWT
LET.	REVISION	CN #	DATE
			CHK.
			±.1/64 ±.005
DO NOT SCALE DWG.		SHEET 1 OF 1	
<p><b>NEXUS</b> STAMFORD, CONN</p>		SIZE	DWG. NO.
		<b>C</b>	<b>AJS-107PPSS</b>